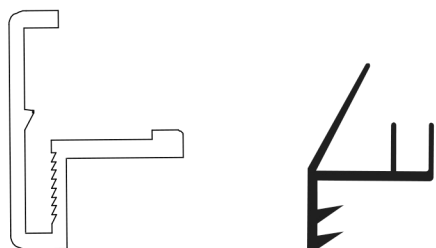
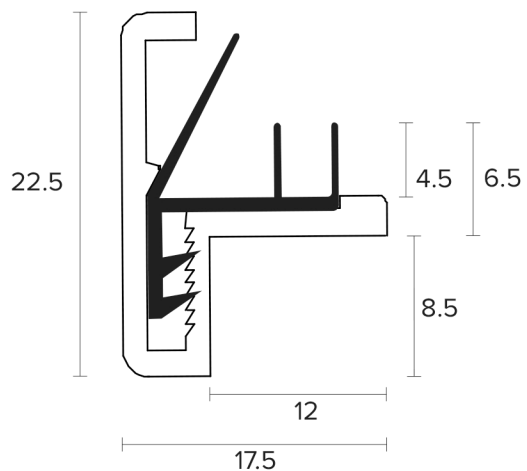


Tools



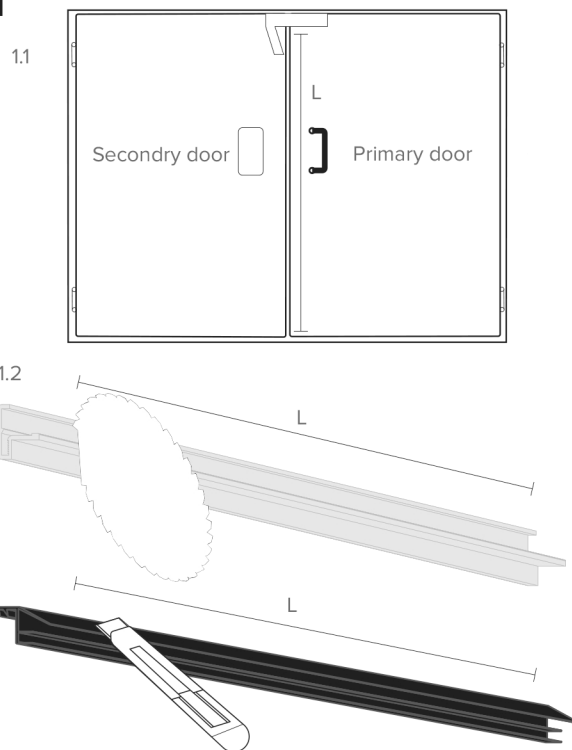
Included:
1 x NOR510 Holder
1 x NOR 515 seal
Fixing screws

All dimensions in mm



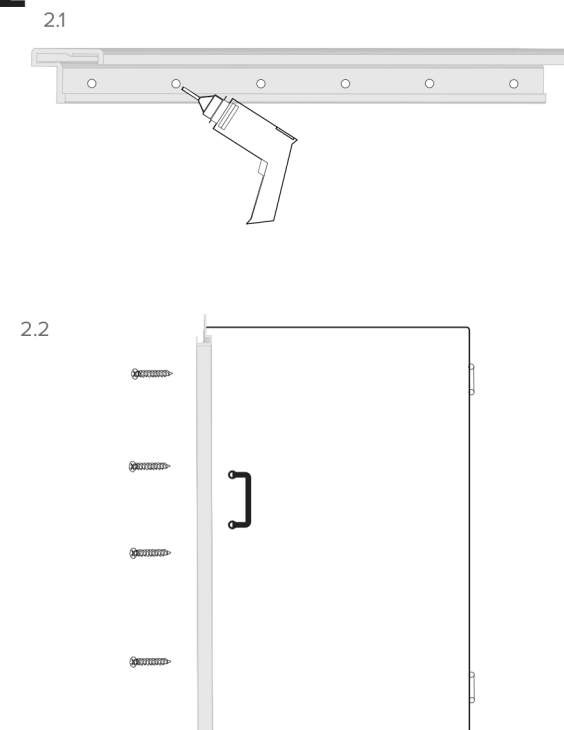
Length	Order Code
2100	NOR510

1



- 1.1** Measure the height of the meeting stile (L)
- 1.2** Cut holder to required length and file off any rough edges.
- 1.3** Cut the insert to required length using a sharp knife.

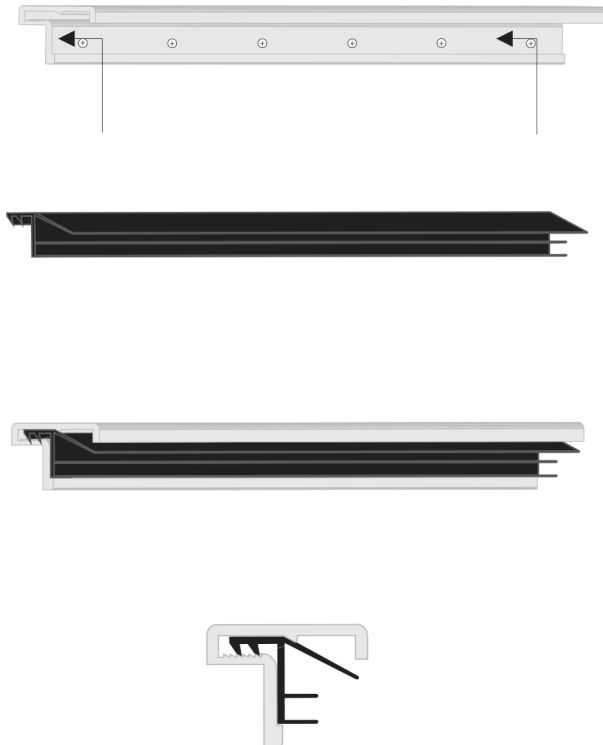
2



- 2.1** Using a 4mm drill bit, drill holes every 200mm, ensuring to countersink each hole.
- 2.2** Screw fix the aluminium holder to the primary door using the screws provided ensuring screw heads are flush with the holder.

3

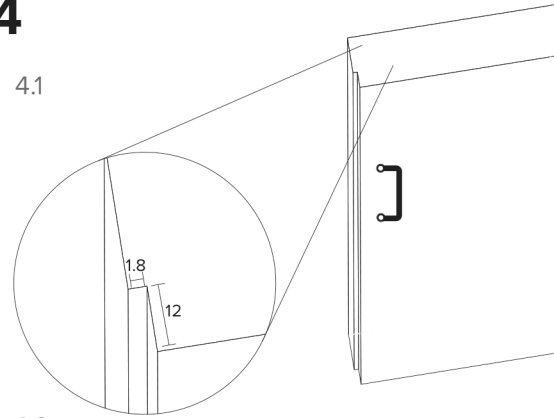
3.1



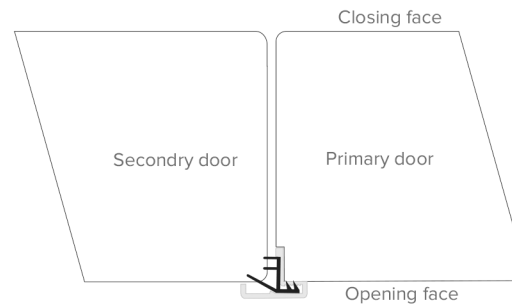
3.1 Place the gasket into the holder, push firmly along the whole length of the insert ensuring its firmly in place.

4

4.1



4.2

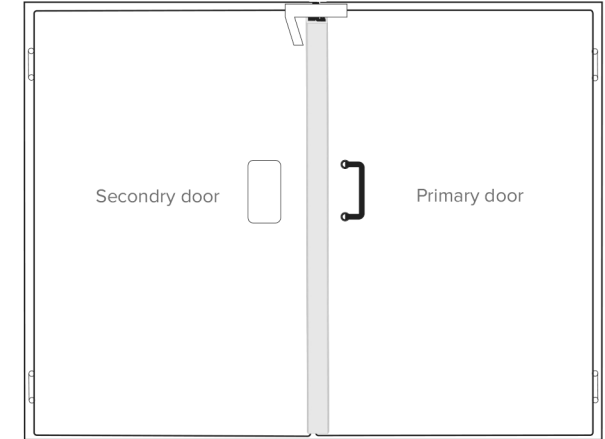


4.1 If a rebated fix is required, remove the primary door from the hinges, using a router rebate a 12mm x 1.8mm deep groove along the door.

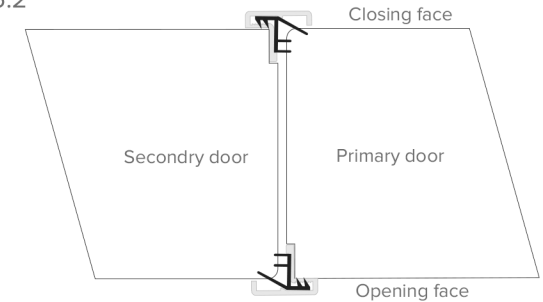
4.2 replace the door then proceed to follow step 2.2.
NOTE Use of a door selector is required to ensure the doors closes fully.

5

5.1



5.2



5.1 The double doorset must be fitted with a door selector to ensure the doors fully close.

5.2 The NOR510 can also be fitted to both sides of a double doorset.