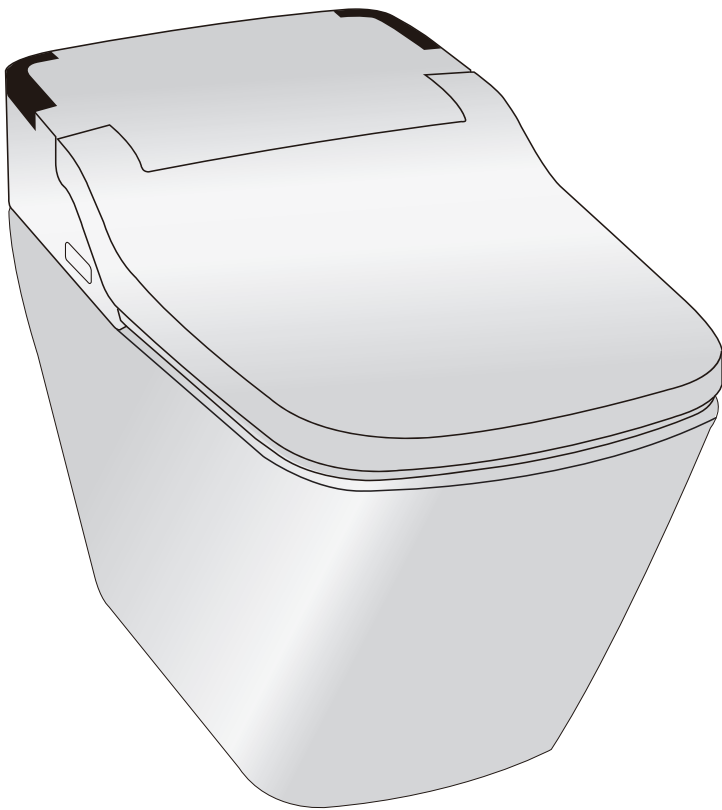


**HANS BACH**

**Installation Manual**

**TCB-090SA**

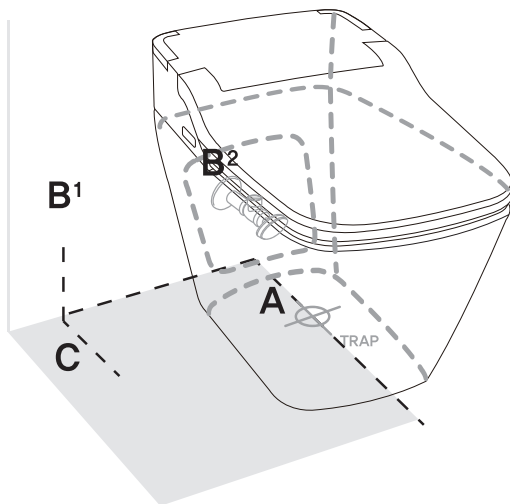
**TCB-090S**



● Please read this manual carefully for proper installation.

## A Before Installing

- Confirm the compatibility of your bathroom using the dimensions below:



### A - What is my rough-in?

12" from the wall to the center of the toilet trap.

### B - Where is my shutoff valve?

Type B1 - The shutoff valve will be positioned outside of the toilet base if it is more than 6.25" from the center of the trap when measured along the wall.

Type B2 - The shutoff valve will be positioned inside the toilet base if it is less than 5".

C - If the shutoff valve is positioned between B1 and B2, it must have a depth of less than 4" to allow for proper installation.

## B Parts List



Remote control



Wall Mount



AA Batteries (x3)



Screws (x2)



Anchors (x2)



Wax Ring



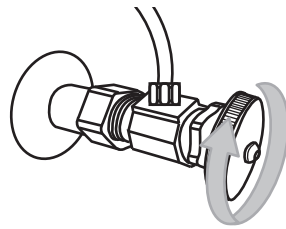
Conversion Nut



Water Hose

# 1 Remove Existing Toilet

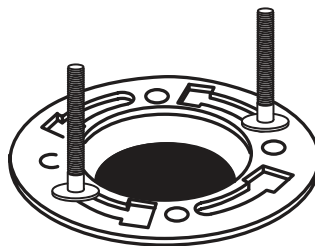
- Close the water shutoff valve and flush the toilet.



- Disconnect the existing water hose and unscrew the closet bolts.



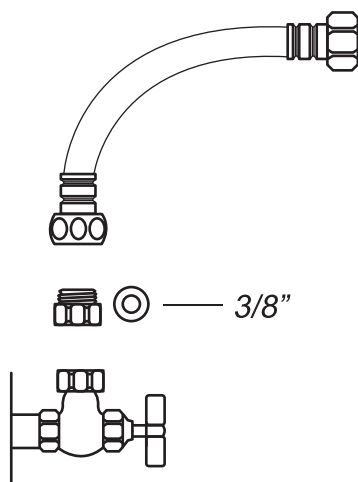
- Remove the toilet and wax ring, leaving the exposed trap (pictured below).



\* If you will not install the toilet immediately, cover the exposed trap to eliminate any fumes.

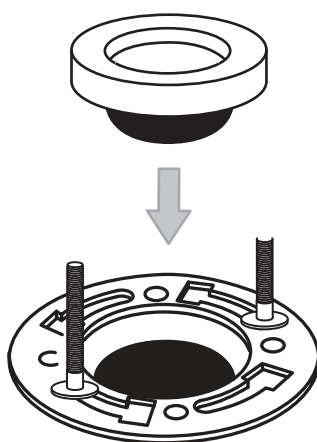
## 2 Install the toilet base

- Attach the provided water hose to your water shutoff valve.

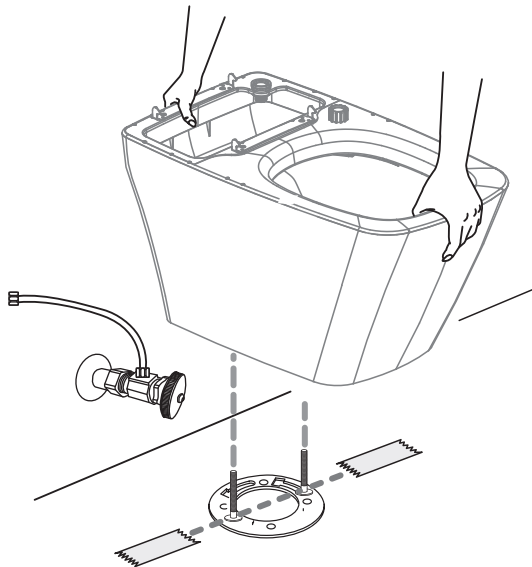


*\*You may need to use the included conversion nut to fit your water shutoff valve. Simply screw the conversion nut into the 1/2" side of the hose before connecting it to your water shutoff valve.*

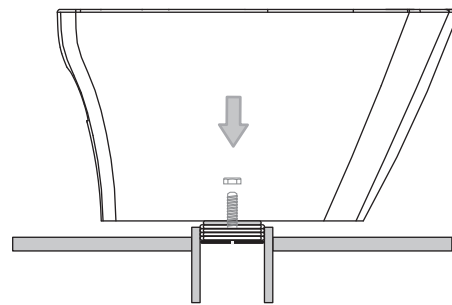
- Apply the new wax ring to the exposed trap.



- Line up the toilet base over the closet bolts screws.  
Place the toilet base and re-secure the closet bolts.

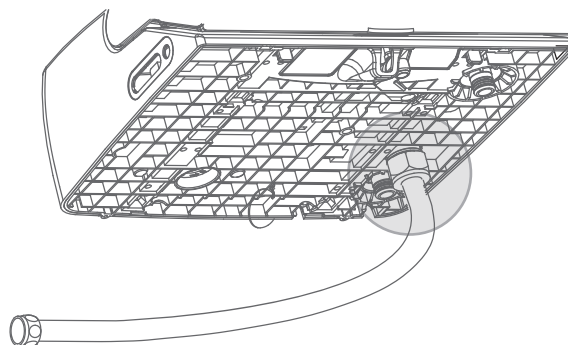


\*A team of two people is recommended to correctly place the toilet base.

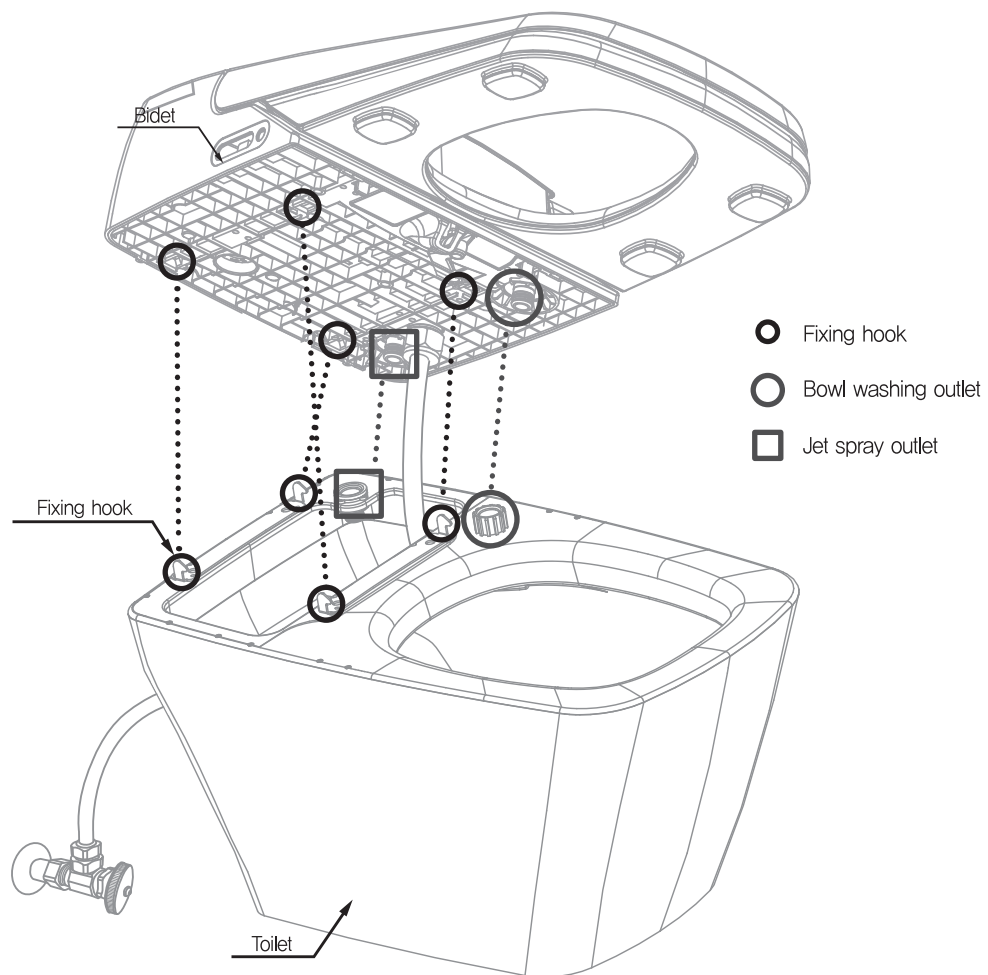


## 3 Attach Bidet Seat

- Feed the water hose through the back of the toilet base and attach it to the underside of the bidet seat.



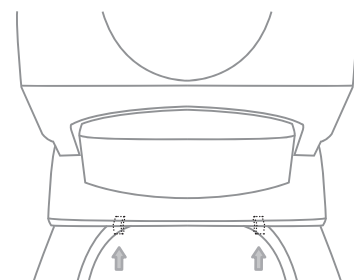
- Attach the bidet seat to the toilet base by lining up the mounting hooks and pressing down until you hear a “click”.



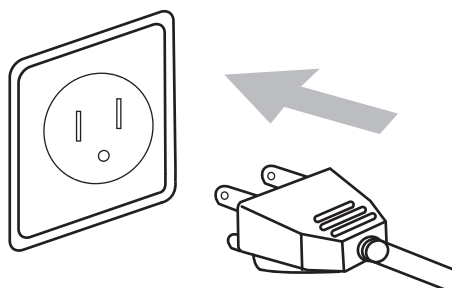
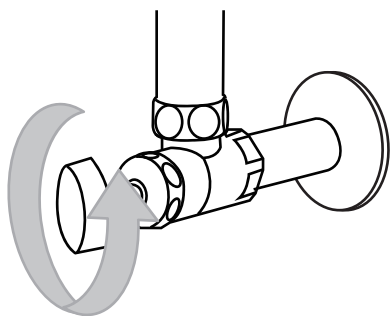
*\*Do not use excessive force when attaching the bidet seat to the toilet base.*

## REMOVING THE BIDET SEAT

The bidet seat can be removed by pulling the tabs beneath the unit forward and lifting up.

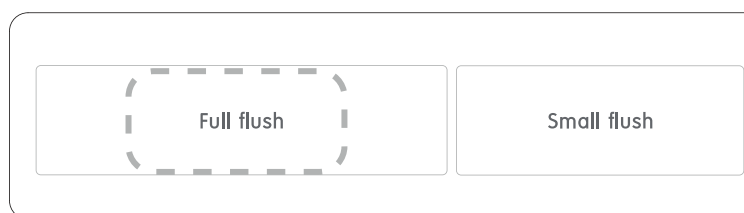


- Open the water shutoff valve.
- Plug in the power cord.



※ The toilet must be properly installed and connected to the grounded outlet.

- Insert the included batteries into the remote control and flush the toilet.



## ENJOY YOUR NEW VOVO CORPORATION

Please contact VOVO Support if you have any questions.  
Trained support agents are available Mon - Fri, 9:00 AM - 5:00 PM PST



## **VOVO USA**

377 Van Ness Way Suite 1205-1206, Torrance, CA 90501  
Tel. +1.310.601.7798 | Fax. +1-424.399.5081  
Customer Support. +1-888-601-0177

## **Factory**

6173-21, Seodong-daero, Samjuk-myeon, Anseong-si, Gyeonggi-do, Republic of Korea  
Tel. +82-31-672-0634, 0635 / Fax. +82-31-672-0630