

# Ultra-NOVA

Owners manual for models: Ultra-NOVA  
Ultra-NOVA+



# ✦ Content:

Features	3
Warnings and Precautions	4
Parts	5-6
Installation	7-11
Testing Before Use	12
Operation	13-16
Cleaning	17
Troubleshooting	19-20
Warranty	20
Technical Specifications	22

# ✦ Features

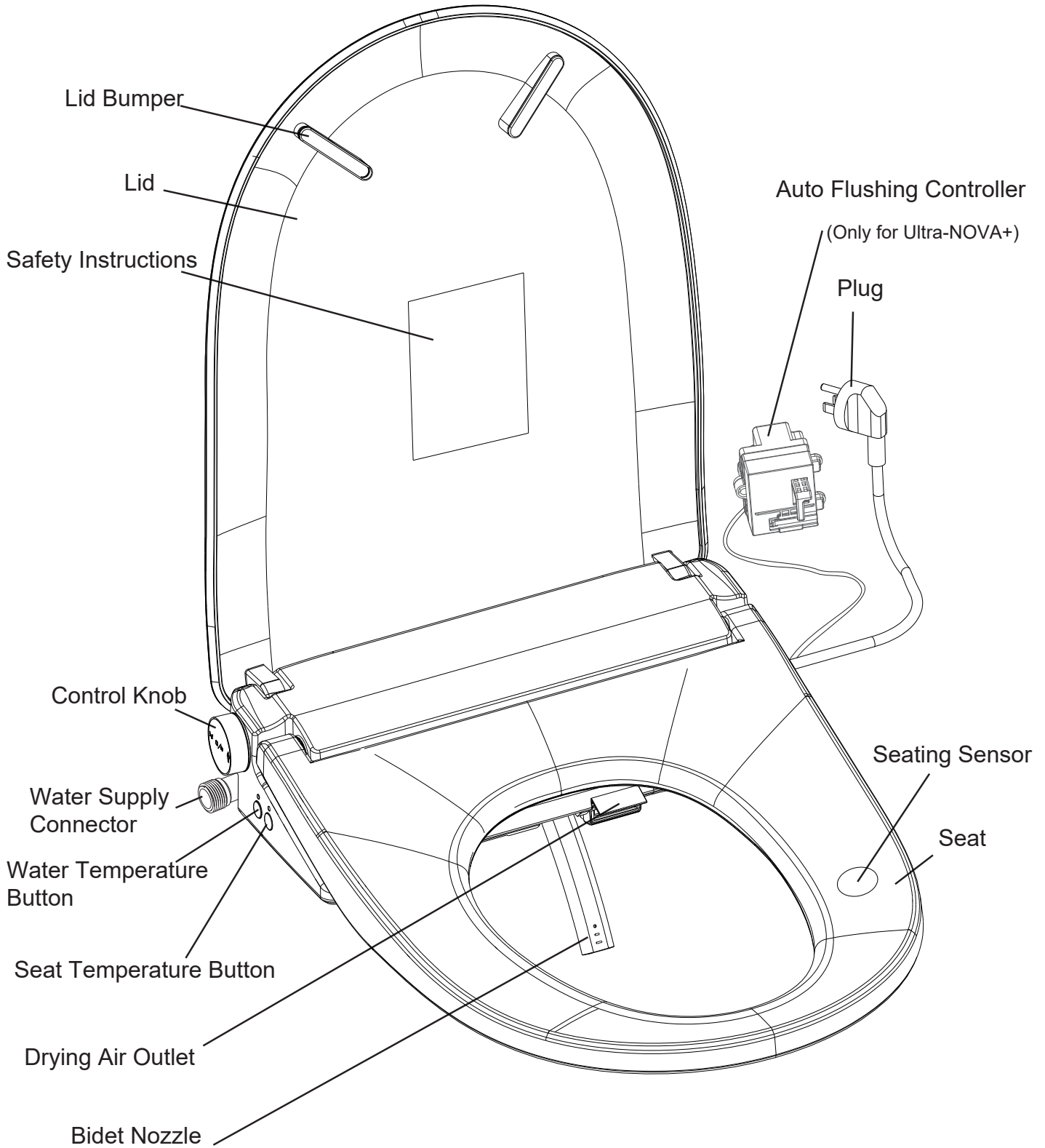
Please confirm the model you purchased first, and then check the corresponding function. The model and specification can be found on the nameplate at the rear of the machine.

<b>Models</b>		<b>Ultra-NOVA</b>	<b>Ultra-NOVA+</b>
<b>Functions</b>			
Basic functions	Seat heating	✓	✓
	Water heating	✓	✓
	Rear/Female Wash	✓	✓
	Warm air drying	✓	✓
Additional functions	Auto lid open/close	✓	✓
	Lid slow close	✓	✓
	Auto flushing		✓
	Smart Remote Control	✓	✓
	Moving wash	✓	✓
	H/C Massage	✓	✓
	Enema Wash	✓	✓
	E-Water Sterilization	✓	✓
	Antibacterial seat	✓	✓
	External filter	✓	✓
	Energy saving	✓	✓

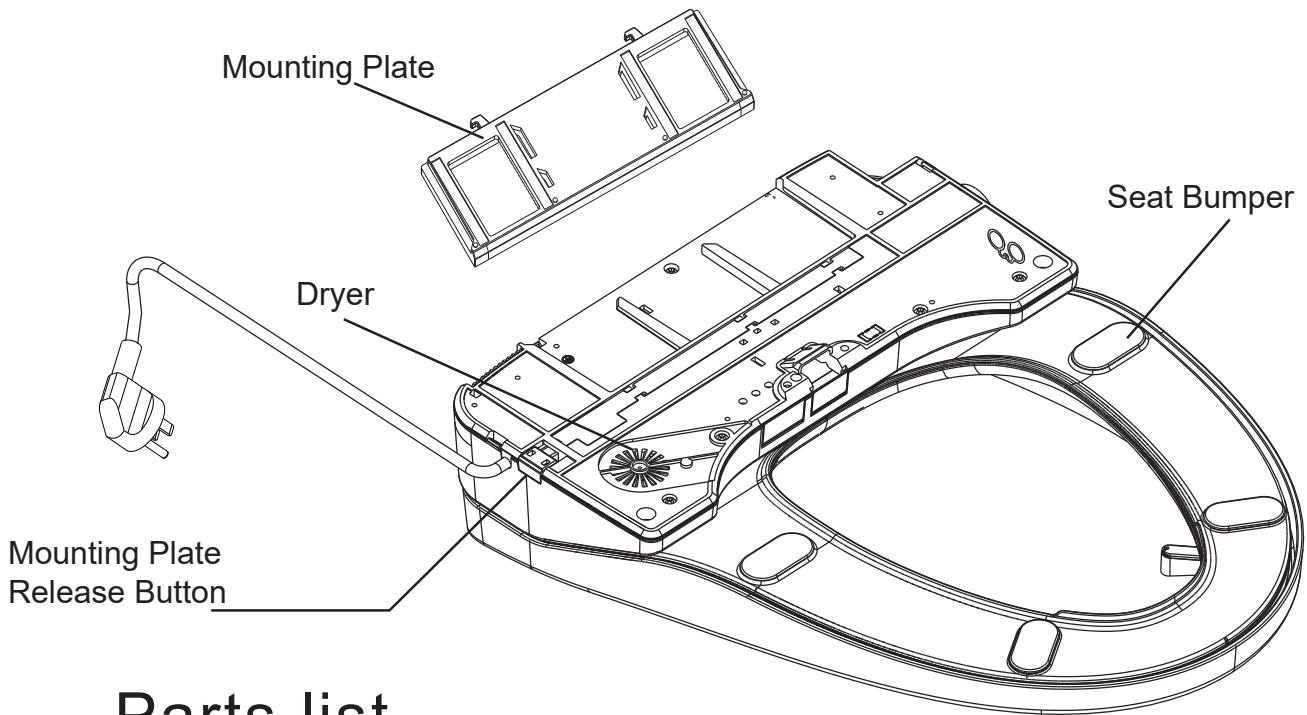
## ✦ Warnings and precautions

- Do not kink water hose
- Do not get the unit wet
- Unplug before cleaning
- Only use natural cleaners on unit
- Use with GFCI outlet only
- If extension cord is needed use 14 or 12 gauge
- This unit is only intended for use as described in this manual
- Do not use if the unit is damaged

# Parts



# Parts

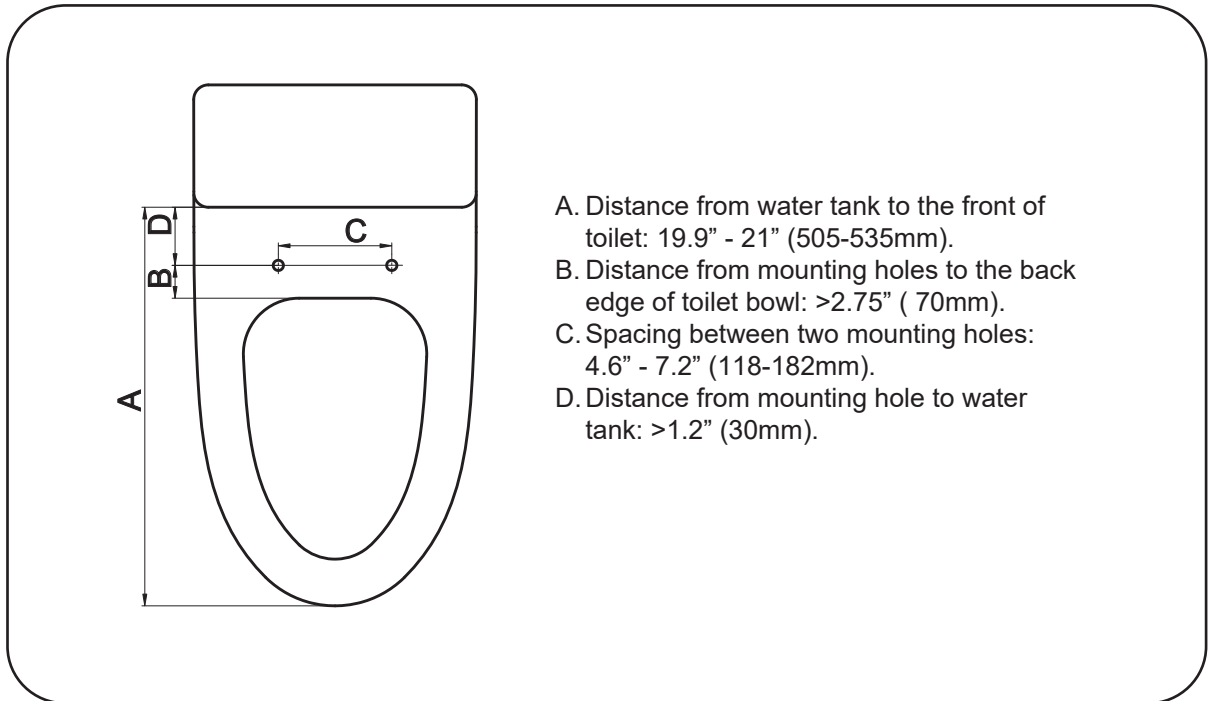


## Parts list

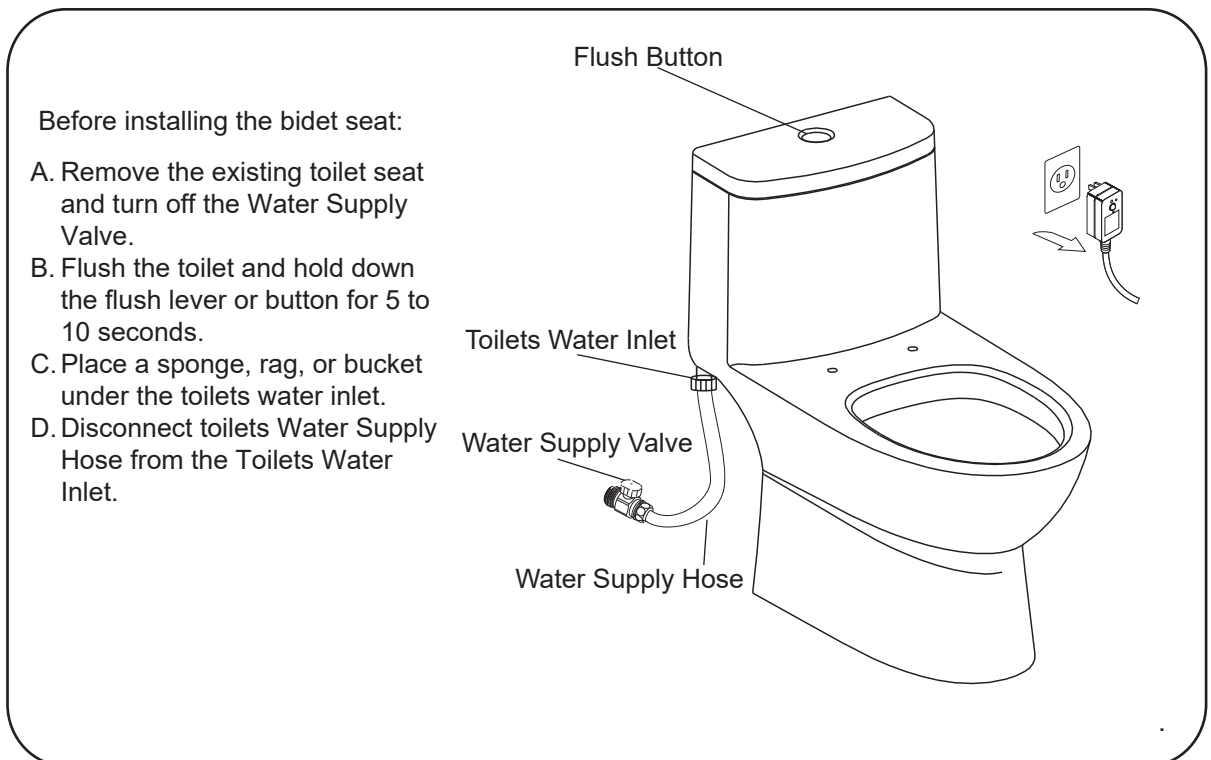
NO.	Name	Quantity	Sketch	NO.	Name	Quantity	Sketch
1	Bidet Seat	1pcs		6	Remote Control	1pcs	
2	Mounting Plate	1pcs		7	Remote Mounting Bracket & Guide	2pcs	
	Locking Bracket	2pcs			Expansion Tube	2pcs	
	Top Mounting Bolts	2sets	 Bolt Rubber Sleeve		Wall Screw	2pcs	
3	T-Connector	1pcs		7	Auto-Flush Module	1pcs	
	Supply Hose	1pcs			Small Clamp Collar	1pcs	
	Filter	1pcs			Large clamp collar	1pcs	
4	Owners Manual	1pcs			Clamp Screw	4pcs	
5	Cardboard Installation Guide	1pcs			Push Rod Extension (Only use if Push Rod is too short)	1pcs	

# ✦ Installation

## Size requirements of bidet seat

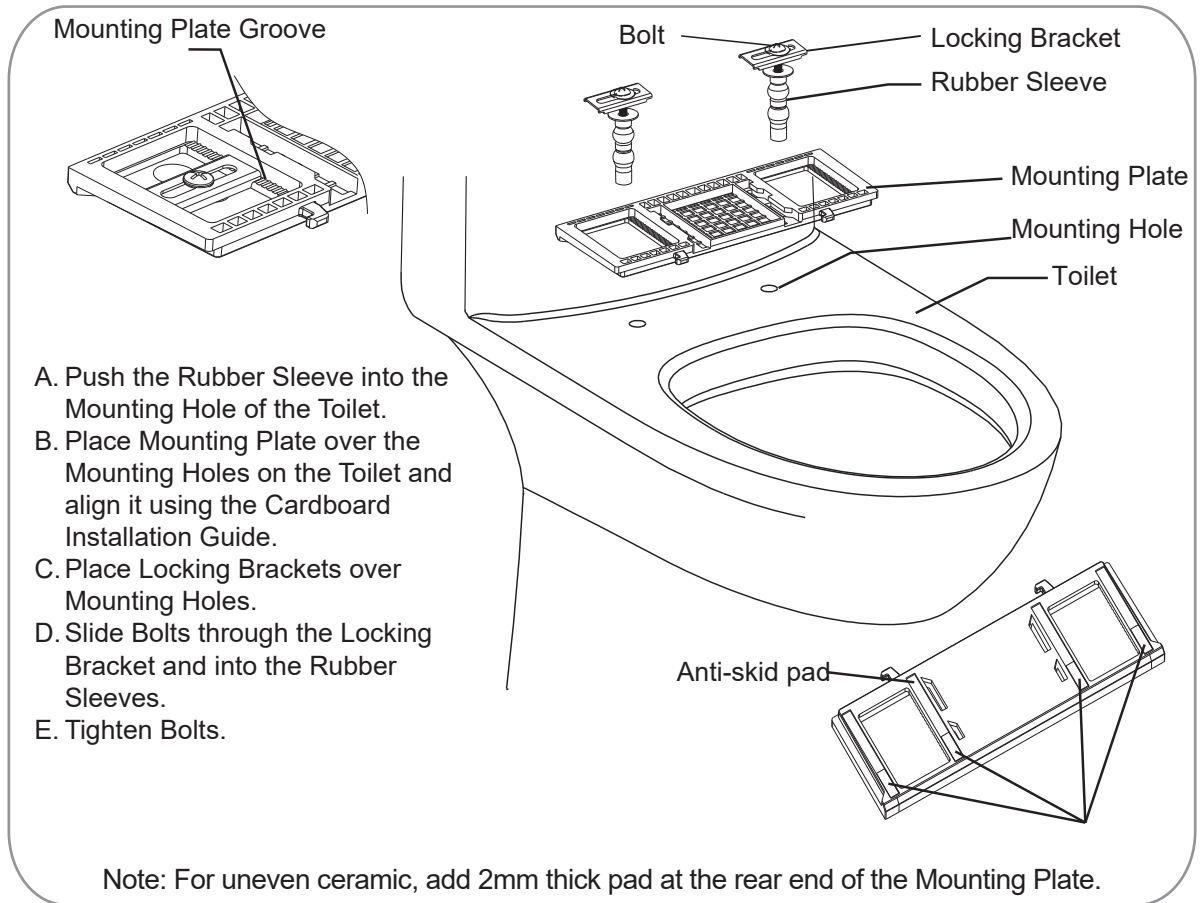


## 1. Preparation before installation

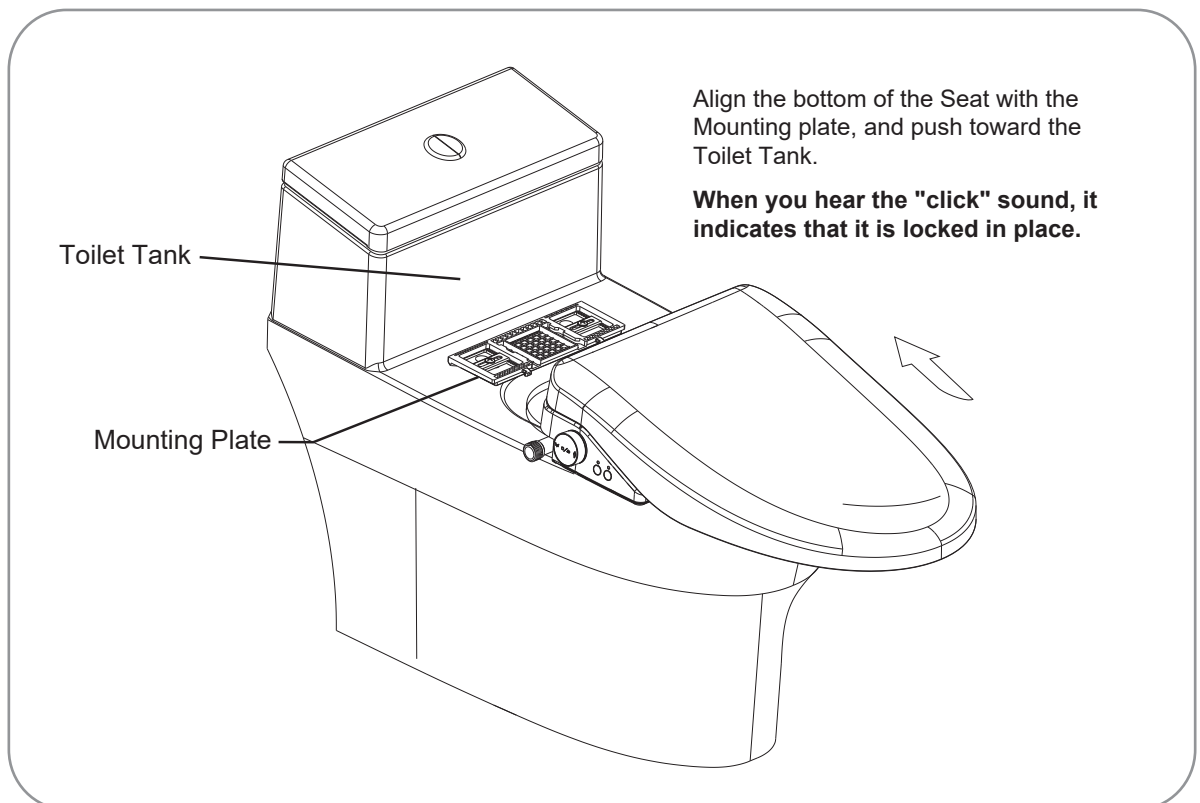


# ✦ Installation

## 2. Install the Mounting Plate



## 3. Secure Ultra NOVA Seat



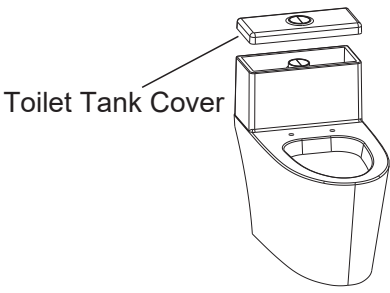


# ✦ Installation (Auto-Flush)

## Install external automatic flushing unit (Only for Ultra NOVA +)

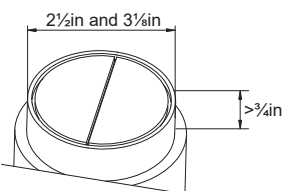
Confirm Top Flush Cylinder diameter before installation

1. Turn off the power and water.
2. Remove the Toilet Tank Cover

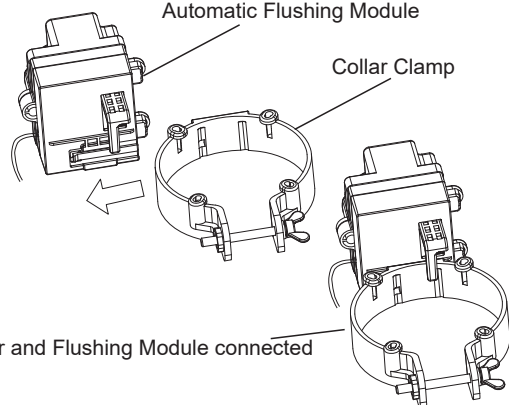


Toilet Tank Cover

3. Measure the outer diameter and height of the top of the Top Flush Cylinder. The diameter should be between  $2\frac{1}{2}$ in and  $3\frac{1}{8}$ in and the height should be above  $\frac{3}{4}$ in otherwise the Automatic Flushing Module is not usable.



4. Find the appropriate sized collar. The collar should be able to fit around the flush cylinder but its ends should not be able to touch each other.
5. Secure the collar to the flushing module by sliding it sideways with the screw holes on the collar facing up, as shown below. (You should hear a click)



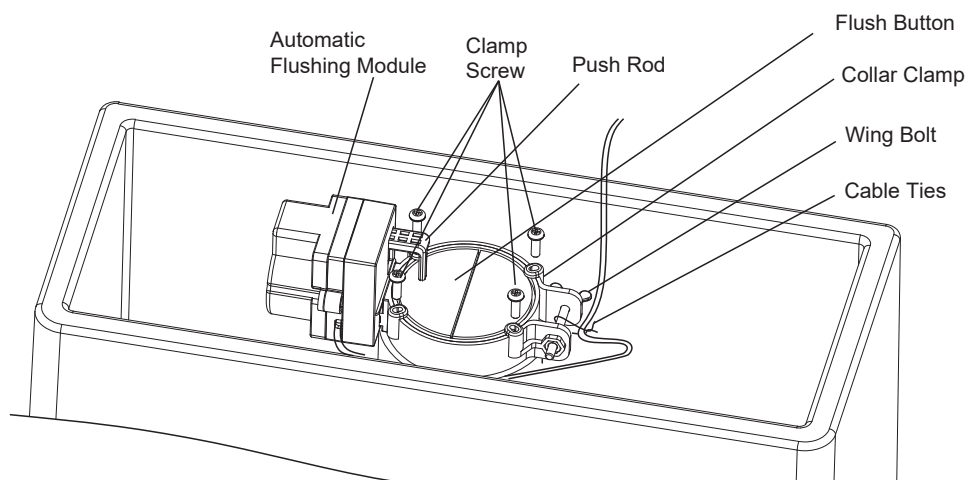
Automatic Flushing Module

Collar Clamp

Collar and Flushing Module connected

## Installation and fixation of flushing module

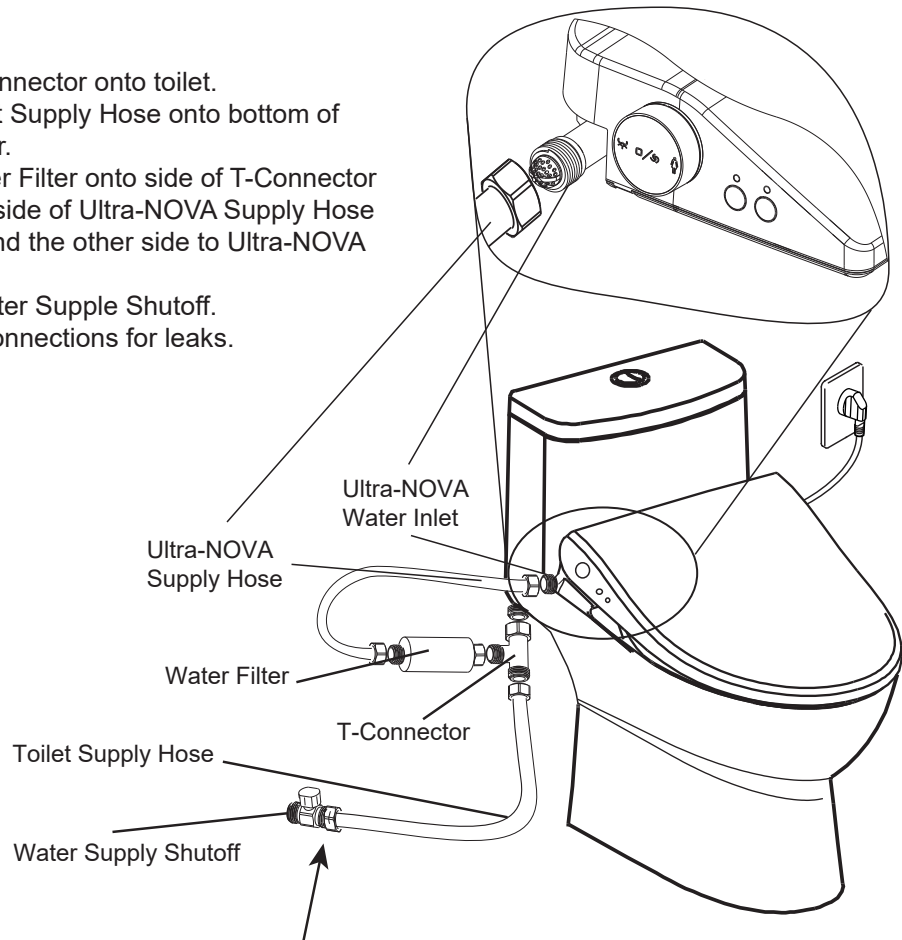
1. Place Automatic Flushing Module into the top of the fittings as shown in the figure.
2. Make sure the Push Rod is aligned with the Flush Button. If the Push Rod cannot press the Flush Button, insert the Adjusting Block into the Push Rod.
3. Tighten the Wing Bolt to till secure then tighten 4 Clamp Screws.
4. Secure the power cord at the screw position with a tie (If there is a groove in the top of the water tank, pass the wire thought the groove).
5. Turn on the water source, connect the power supply, and test the manual and automatic flushing functions.
6. Close the water tank cover.



# ✦ Installation

## 4. Connect all water supply parts

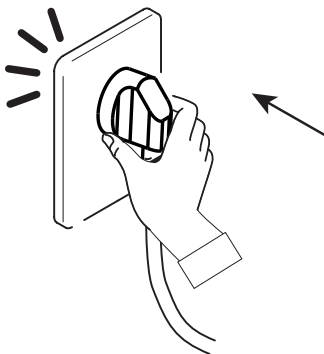
- A. Screw T-Connector onto toilet.
- B. Screw Toilet Supply Hose onto bottom of T-Connector.
- C. Screw Water Filter onto side of T-Connector
- D. Screw one side of Ultra-NOVA Supply Hose onto filter and the other side to Ultra-NOVA Water Inlet.
- E. Turn on Water Supply Shutoff.
- F. Check all connections for leaks.



Alternate T can be purchased and used at the water supply shutoff if underside of toilet is inaccessible.

## 5. Connect power

Plug into GFCI wall outlet.



### ⚠ Caution

Outlet must have GFCI (Ground-fault circuit interrupter).

Outlet must be on 15+ AMP dedicated circuit.

Cord is limited to 4 feet by law.

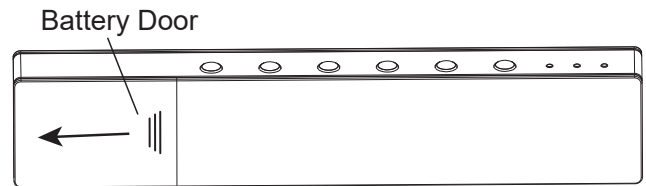
If extension cord is used, it must be 14 gauge or larger.

# Installation

## 6. Remote Control installation

### A. Install Batteries

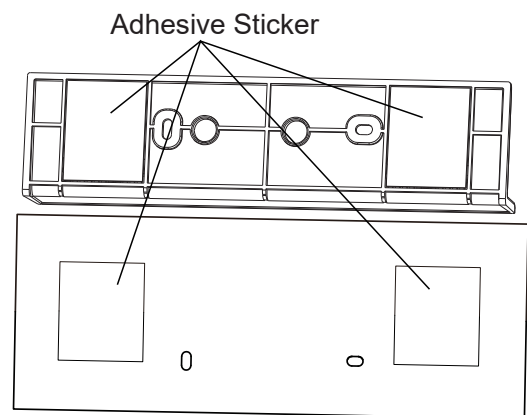
- I. Remove Battery Door from back of remote by pressing on the door and sliding away from remote.
- II. Insert 2 AAA Batteries and close Battery Door.



### B. Secure Wall Mount

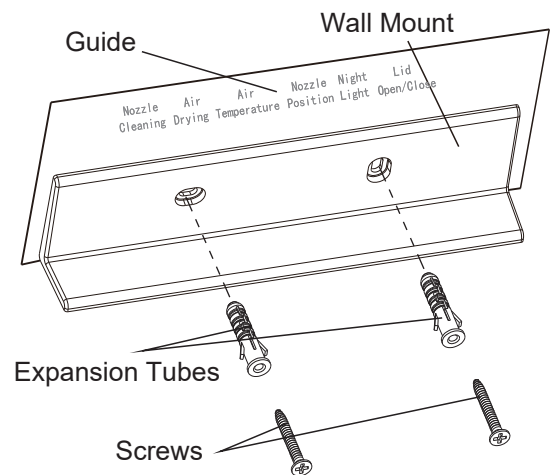
#### Sticker Installation method

- I. Remove the Adhesive Sticker on the back of the Wall Mount (and Guide if desired).
- II. Adhere Wall Mount (and Guide) to wall in desired position.



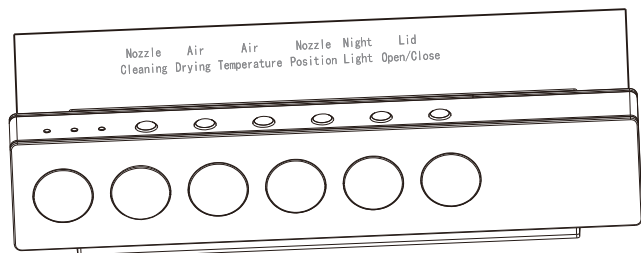
#### Screw Installation method

- I. Place Wall Mount on wall in desired location and mark locations of screws on the wall through the holes on the Wall Mount.
- II. Remove Wall Mount and drill holes in the marked locations.
- III. Insert Expansion Tubes into wall.
- IV. Place Wall Mount (and Guide if desired) on wall and thread Screws into Expansion Tubes the holes on the Wall Mount.



### C. Place Remote in Wall Mount

(Use of the Guide is optional, but many people find it helpful to find features on the top of the remote easily while seated.)

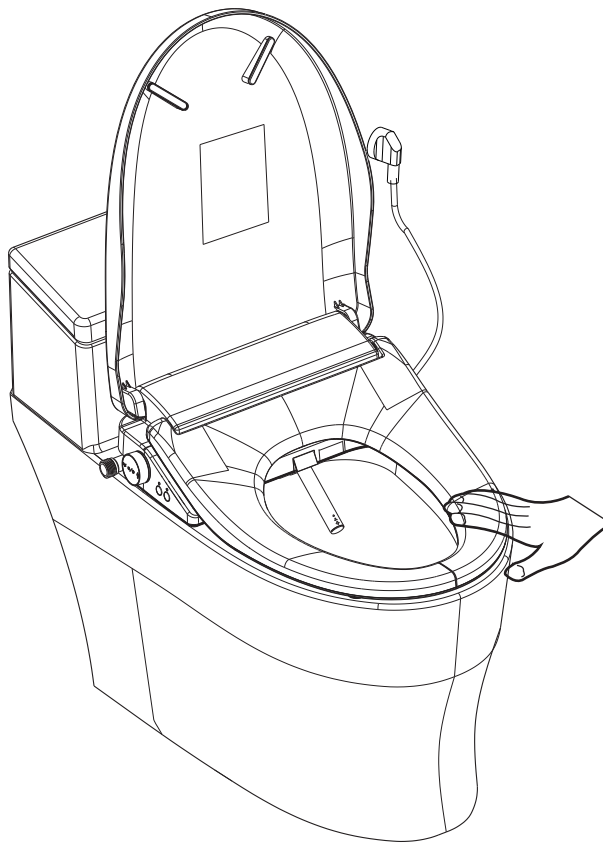


## ✦ Testing Before Use

1. Check power supply is securely connected to wall outlet.
2. Activate seat Skin Sensor by placing a hand or wet rag on the seat where indicated. (If hand or wet rag doesn't work place bare bottom on the seat).
3. Press a wash button on the remote and place a hand or cup over the nozzle as it comes out and wait until wash begins.
4. Press Stop or remove hand/rag from Skin Sensor.

**SUCCESS!!!**

Your Ultra-NOVA is ready for use.



# Operation

Function	Description
Stop	Press the stop button to end and function "rear wash", "front wash", "enema wash", and "air drying". Long press for 2 seconds to turn on/off of beeping sound.
Rear Wash Front Wash Enema Wash	While seated, press the Rear, Front, or Enema button, corresponding wash function will start and run for 90 seconds. If user leaves the seat during the wash, the function will be stopped. Rear & Front washes default to oscillating wash, press again to turn into fixing position washing.
Hot/Cold Massage	When the "rear wash" or "front wash" function is started, press the 'H/C Massage' button to start or stop this massage function. When this function is running the water temperature changes alternately from 90°F to 100°F
Water Temperature	Press Water Temp button to increase the water temperature in the "rear wash", "front wash", and "enema" modes. It has Low, Med, High, and Off.
Seat Temperature	Press Seat Temp button to change the temperature of the seat. The seat temperature has 3 levels and off mode.
Water Pressure	Use + and - buttons during a wash cycle to increase and decrease water pressure.
Nozzle Position	Press the Nozzle Position button to move the nozzle forward in the Rear, Front, and Enema modes. It has three positions from 1 to 3 as indicated by the lights. Each time you press it, the nozzle moves forward one position till reaching position 3, then comes back towards position 1 with each press.
User Modes	To set User modes, start a function and adjust the setting to your desired level, then press User 1 or User 2 button for 2 seconds to memorize the current water temperature, air temperature, seat temperature, nozzle position and water pressure. To use a User mode, press desired function (Rear, Front, Enema, or Dry) then press the User 1 or User 2 button to use the memory setting.
Dryer	When sitting on the seat, press the Air Dry button, the air drying function will run for 3 minutes. If the stop button is pressed or user leaves the seat before the 3 minutes are up, the function will be stopped automatically.
Air Temperature	Press the Air Temperature button to change the air temperature in "air drying" mode. The air temperature has 4 heat levels (low, medium, high, and off).
Flush*	Press the Flush button to flush the toilet. Must wait 30 second between flushes. (Ultra-NOVA+ only)
Auto-Flush*	After getting up from the toilet (deactivating the Seat Sensor) the unit will wait a few seconds and flush the toilet. (Ultra-NOVA+ only)
Nozzle Cleaning	Press the Nozzle Cleaning button (on Ultra-NOVA+ long press Nozzle Position button), the Nozzle will come out and water will run over the Nozzle for 10 seconds. The Nozzle will stay out for cleaning. Press Stop button to send the Nozzle back into the seat.
Night Light	Turn on or turn off the decorative light of the Control Knob.
Lid Open/Close	Press the Lid Open/Close button to open the toilet lid, and then press the button again to close it. Press for 3s to start or stop the auto lid open/close function.

\*Only available on Ultra - NOVA+

# Operation

Function	Description
Sync Remote	With the seat unplugged from the electrical outlet, press and hold the "Font Wash" button for 3 seconds. At this time the three LED indicators on the remote will flash red. When this happens, plug the seat into the electrical outlet. If pairing is successful, the seat will make a multi-beep tune. Otherwise, start the process over again.
Nozzle Oscillation	Nozzle will oscillate (move forward and back) by default with Rear and Front washes. A second press of a wash button will stop the oscillation (keep the nozzle stationary).
Slow Close	Whether using Auto Open/Close or manually closing the lid, the lid has a damper that makes it close softly. The Seat also has a slow close damper for soft, quiet close.
Seat Status Indication	Night light will glow white when no one is seated, it will glow red during rear wash, and blue during front wash. If a malfunction is detected the light we flash red.
Anti-scald System	If a user seated for more than 15 minutes, the seat will turn heat to Low setting in order to reduce prolonged heat exposure.
Nozzle Self-cleaning	Before and after each use, the nozzle will run self-cleaning cycle. This self-cleaning cycle runs water over the nozzle to remove debris.

# ✦ Operation

## Side Controls

### Control Knob

Turn backward to start a Rear Wash.

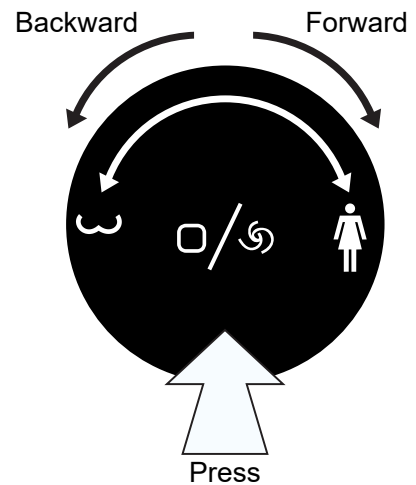
Turn forward to start Front Wash

Long press (2 seconds) to start Enema Wash.

Once a wash has started:  
Turn knob forward to increase pressure and backward to reduce pressure.

Press in on Knob to stop Wash.

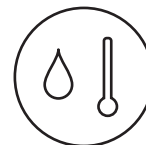
When stopped, press Knob to start Dry.



### Water Temperature Button

Short press the button to switch the water temperature.

Long press during wash to switch nozzle from oscillation to stationary and back.



Water Temp



Seat Temp

### Seat Temperature Button

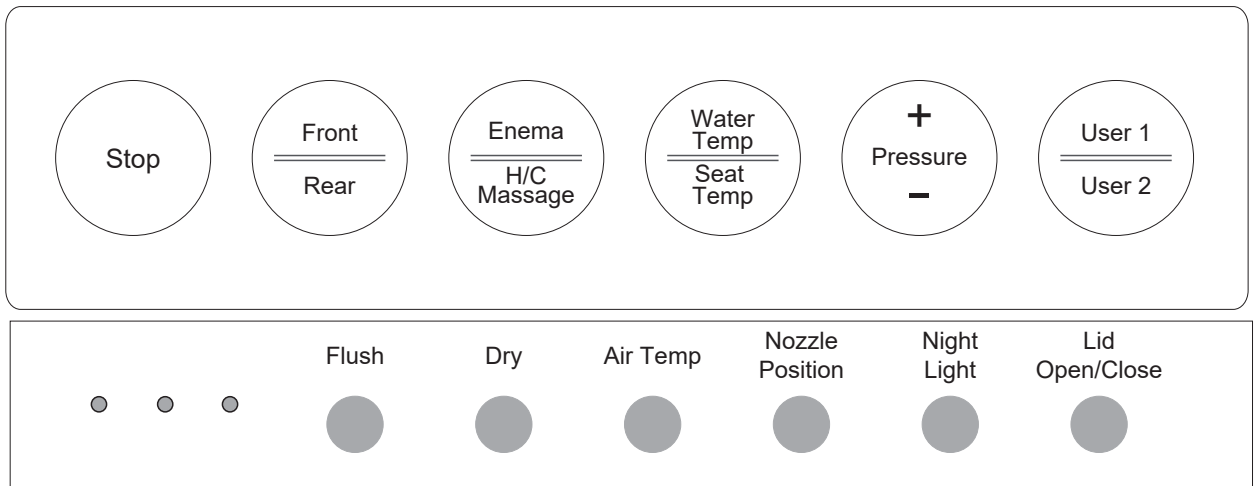
Short press to switch the seat temperature.

Long press during wash to switch nozzle position.  
(positions cycle 1,2,3,2,1,2,3...)

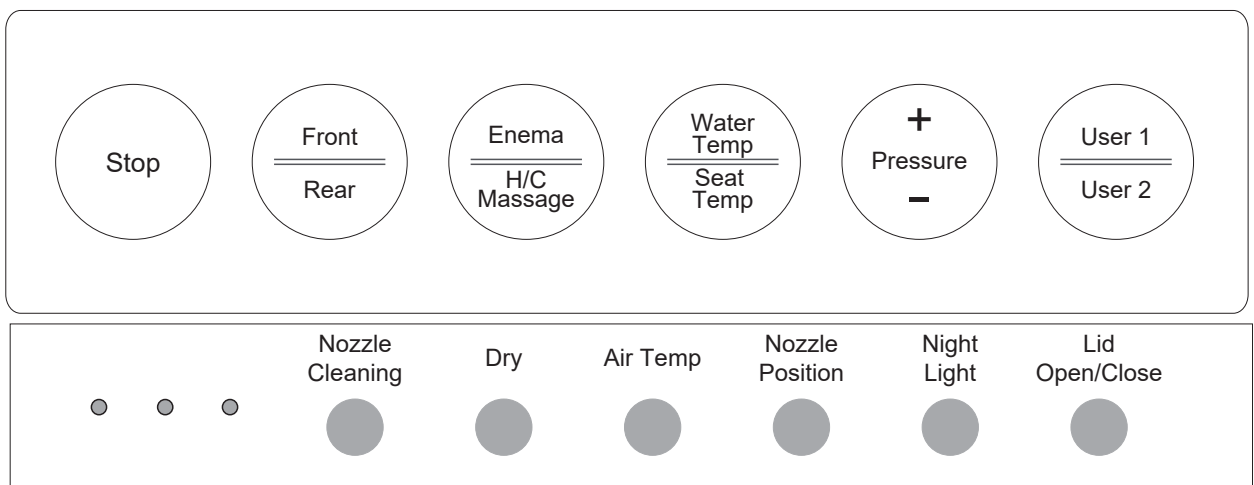
# ✦ Operation

## Remote Control button layout

### Remote for Model Ultra-NOVA+



### Remote for Model Ultra-NOVA



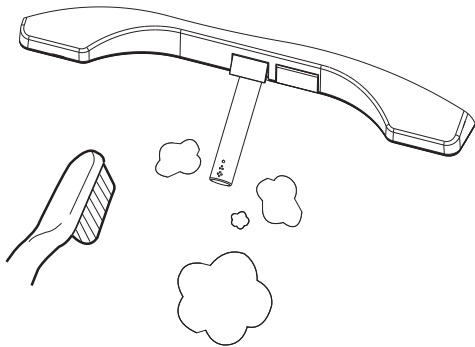


# ★ Cleaning

## Nozzle Cleaning

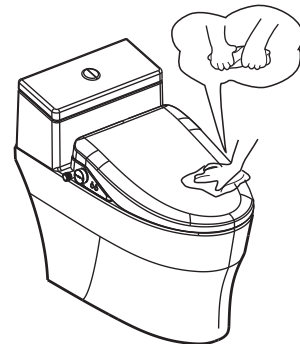
Press the "nozzle cleaning" button on the remote and the nozzle will automatically come out. Use cleaner and a soft cloth or soft bristled brush to clean nozzle.

When done cleaning, press Stop button and nozzle will go back into seat.



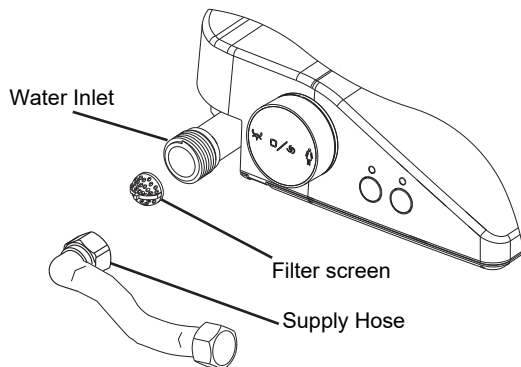
## External Cleaning

Clean the product with a soft cloth and natural cleaners. Do not use strong chemicals on the seat as they can damage the anti-bacterial coating on the unit.



## Clean the filter screen

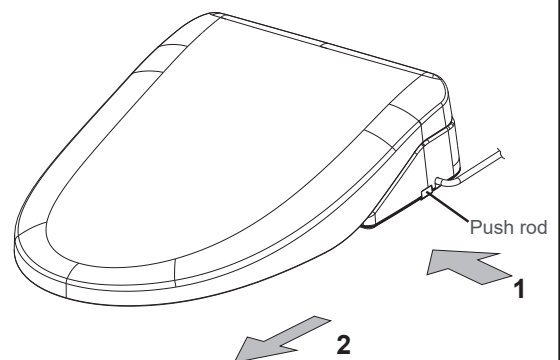
If you feel that the water flow is less than original during normal use, clean the Filter Screen. To clean the Filter Screen, turn off water supply, flush toilet, and disconnect the Supply Hose from the side of the seat. Remove Filter Screen from Water Inlet and scrub with soft bristled brush. After cleaning reassemble and turn on water supply.



## Remove seat to clean toilet

If you need to access the under side of the seat for cleaning, turn off water and power first. Then push the release button on the right side (while facing the toilet) and pull the seat forward.

Seat can be reinstalled by sliding it back into the mounting plate until it click into place.

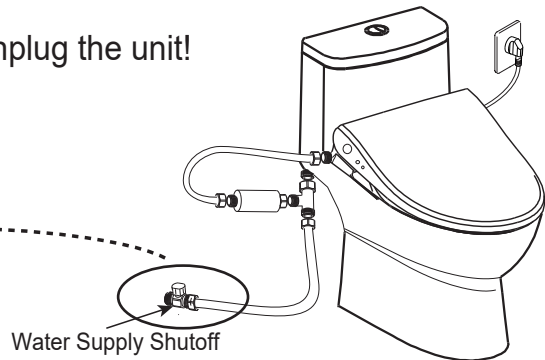
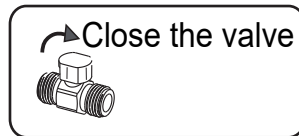




# ✦ Troubleshooting

## ⚠ CAUTION

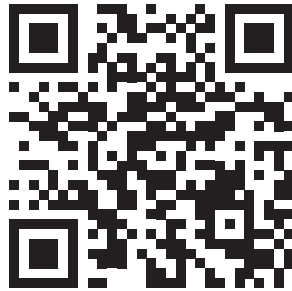
If leaking, immediately shut off water supply and unplug the unit!



Problem	Test	Solution
Seat not responding	Are lights on seat turned off	Check wall power outlet for power and plug seat in to wall outlet.
No water	Check water supply shutoff valve	Open if closed
	Is the supply hose kinked	Adjust the hose to unkink it
	Are you covering the seat sensor with skin to activate it?	Move your body to fully cover skin sensor
Water pressure low	Is water pressure setting low	Press Pressure + button on remote
	Check filter	Replace filter every 6 months
Water temperature low	Is the water temperature set to low	Press Water Temp button to adjust temp
Seat temperature low	Is the seat temperature set to low	Press Seat Temp button to adjust temp
Air temperature low	Is the air temperature set to low	Press Air Temp button to adjust temp
Wash stops running	Has it run for more than 90 seconds	Not a malfunction (cycle runs for 90 sec)
	Has it run less than 90 seconds	Move your body to fully cover skin sensor
Dry stops running	Has it run for more than 3 minutes	Not a malfunction (cycle runs for 3 min)
Remote control not responding	Has it run less than 3 minutes	Move your body to fully cover skin sensor
Water connection leaking	Is the connection loose	Tighten the connection
	If the connection missing a rubber washer	Replace the rubber washer
Flashing red light	Flashes red once: seat temp sensor alert	Sensor open or short circuit seat will beep and stop heating
	Flashes red twice: air temp sensor alert	Sensor open or short circuit seat will beep and stop heating
	Flashes red three times: Water temp sensor alert	Water temp above 113°F (After 3 beeps it returns to normal).

## ✦ Troubleshooting / Warranty

For more Troubleshooting or to view the warranty for this product, scan this QR code or go to: <https://NovaBidet.com/Warranty/>





# ✦ Technical Specifications

Technical parameters \ Model	Ultra-NOVA	Ultra-NOVA+
Power type	AC 120V~ 60Hz	
Rated power	Max 1220W = 10.1Amps (with inlet water temperature of 60°F and water temperature set to maximum)	
Power cord length	4 feet	
Warm water heating type	Instant heating	
Water temperature	The temperature adjustment range is about 86°F - 102°F	
Safety devices	Flow monitoring sensor, water temperature sensor, temperature control switch, temperature fuse.	
Air temperature	Adjustable temperature range (room temperature - 131°F)	
Drying heating power	200W	
Seat surface temperature	Adjustable temperature range (room temperature - 104°F)	
Seat heating power	40W	
Water supply pressure	22psi - 105psi	
Environment temperature	38°F - 104°F	
Product size	L505xW375xH93mm L19.9in x W14.75in x H3.66in	
Product net weight	4.2kg 9.25lbs	4.4kg 11lbs

This device complies with Part 15 of the FCC rules.