

PRODIGY

ADVANCED SMART TOILET

Getting Ready To Install

A - What is my rough-in?

12" from the wall to the center of the toilet trap.

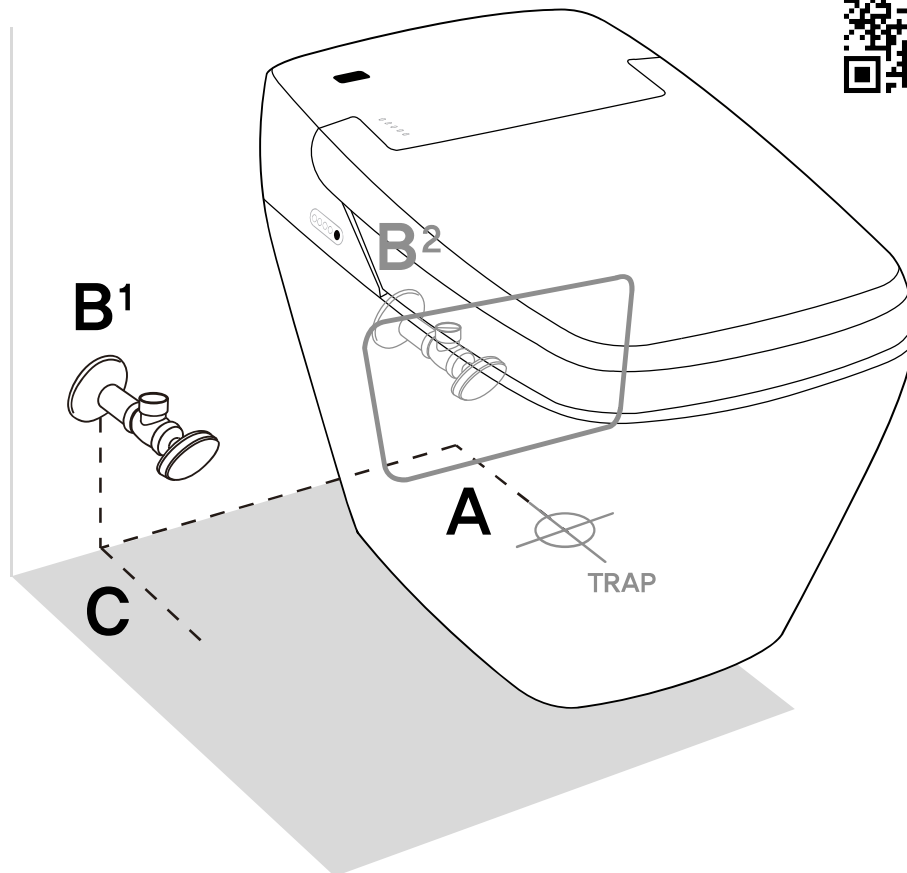
B - Where is my shutoff valve?

Type B1 - The shutoff valve will be positioned outside of the toilet base if it is more than 6.25" from the center of the trap when measured along the wall.

Type B2 - The shutoff valve will be positioned inside the toilet base if it is less than 5".

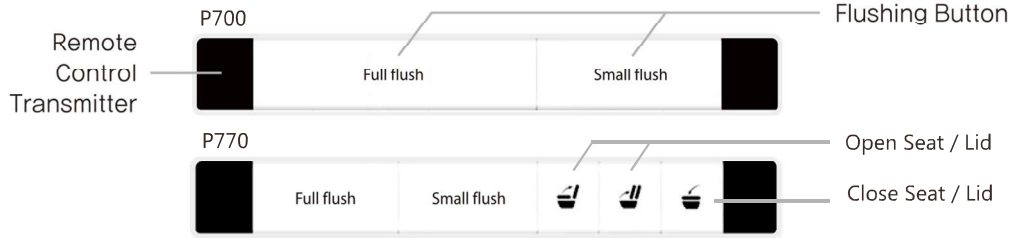
C - *If the shutoff valve is positioned between B1 and B2, it must have a depth of less than 4" to allow for proper installation.*

Installation Video

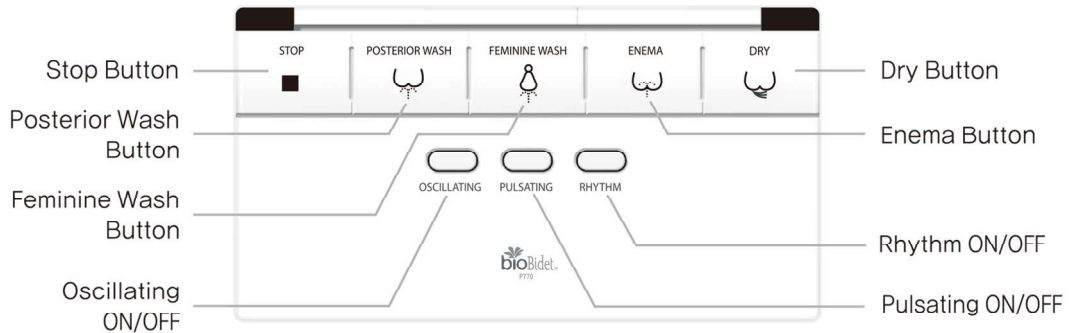


Quick Guide

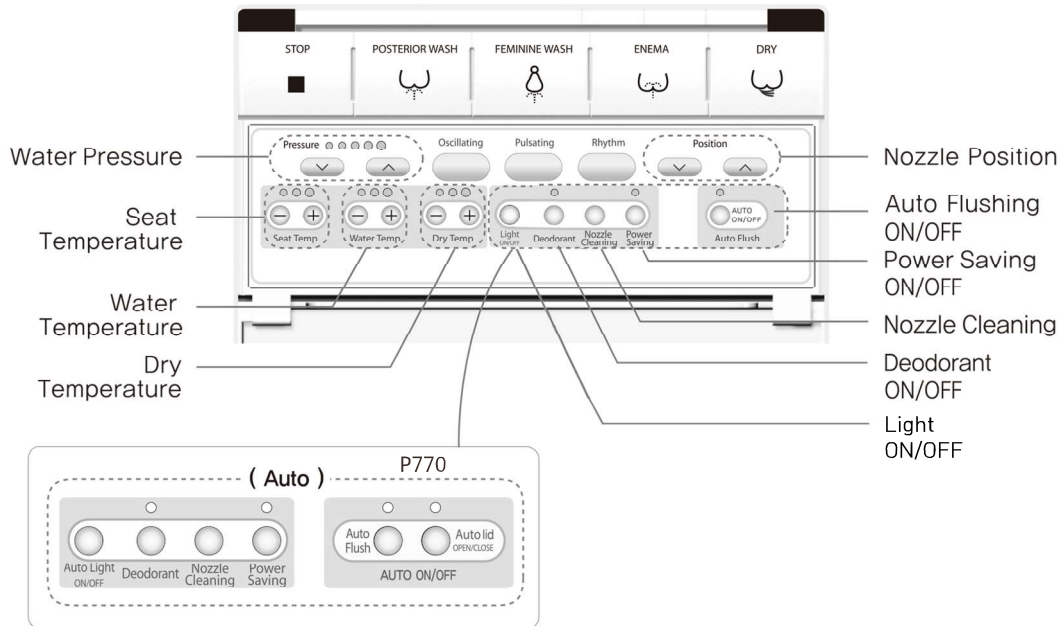
< TOP >



< COVER CLOSE >



< COVER OPEN >



Seat & Water Temp

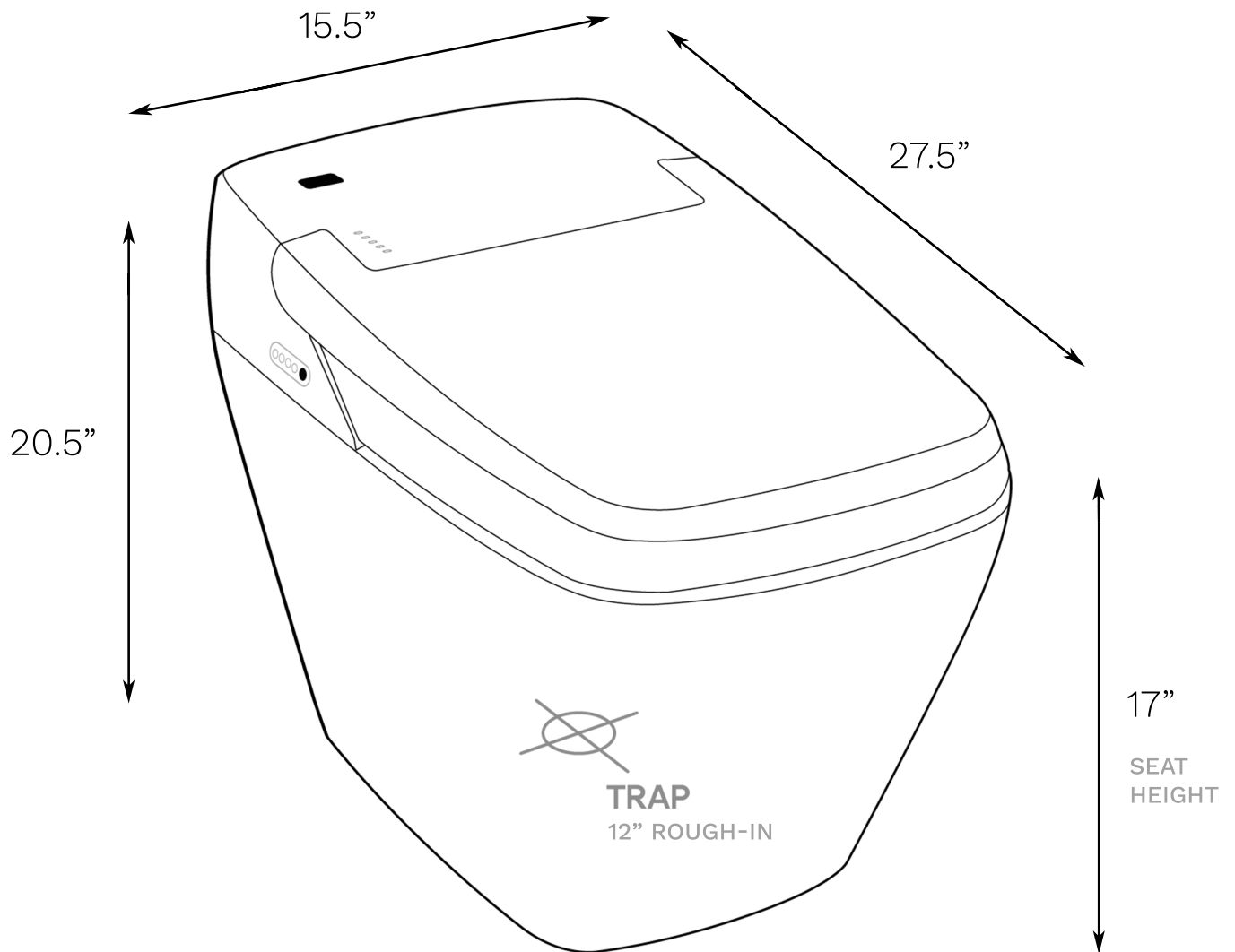


PRODIGY

ADVANCED SMART TOILET

PRODIGY

ASSEMBLED DIMENSIONS



SEAT LENGTH 17"
SEAT WIDTH: 15"

SEAT OPENING LENGTH: 12.5"
SEAT OPENING WIDTH: 8"

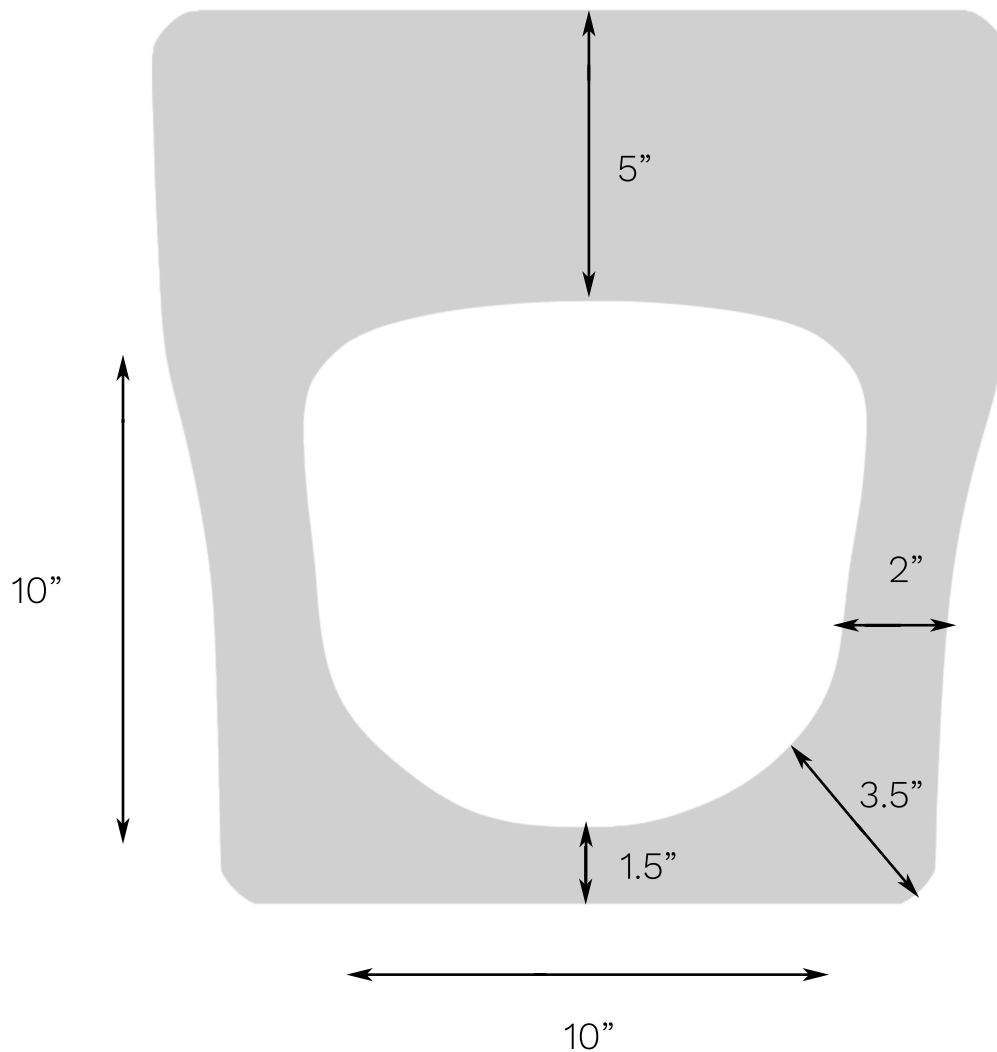
CONTACT US FOR INSTALLATION ASSISTANCE.

P: 847-458-2334 E: SUPPORT@BIOBIDET.COM

PRODIGY

BASE CUTOUT DIMENSIONS

(back side)



CONTACT US FOR INSTALLATION ASSISTANCE.

P: 847-458-2334 E: SUPPORT@BIOBIDET.COM