



GoBidet Bidet Attachment

151 Ruths Place #5
Sequim, WA 98382

Tel 1-800-681-0753 • Fax +1 360-681-4029
www.Go-Bidet.com

MODEL #2003C

In this box:

- 1 User Manual
- 1 GoBidet™ Unit w/ mounting bracket, nut, rubber washer, and plastic washer
- 1 Plastic Spacer (part no. 2003.11)
- 1 3/8" Hose (part no. 2003.14)
- 1 7/8" T-valve (part no. 2003.18) - installs on bottom of toilet tank
- Teflon Tape

GoBidet Model GB-2003C Limited Warranty

Used with normal care, this bidet product is guaranteed against defects in material and workmanship for a period of one year. This warranty does not cover improper installation or improper use. For complete details, contact the dealer from where it was purchased or you may reach us at:

www.Go-Bidet.com
1-800-681-0753

INSTALLATION INSTRUCTIONS & IMPORTANT NOTES

This unit can accommodate hot and/or cold water installations. For cold water only, install as directed. For hot water installation, please use the Hot Water Installation Kit (Part no. 2003HIK), available by calling 1-800-681-0753.

Your **GoBidet™** will attach to a one-piece toilet (tank/bowl are molded into one piece) or a two-piece toilet (tank/bowl are separate). It also fits regular (round) or elongated toilets. See "Parts Breakdown" page for instructions on changing the bushing bracket mounting location.

Use Teflon tape on all connections.

A. Disconnecting your toilet's water supply line

1. Turn off water supply to toilet. It is usually an angle-stop/shut-off valve on wall beneath toilet.
2. Empty toilet completely by holding flush handle down.
3. Put a shallow container beneath water shut-off valve (at wall) and water line connection at tank to catch excess water.
4. Disconnect water line from cut-off valve.
5. Clean and dry fittings and threads.

B. Installing your bidet

1. Remove toilet seat and clean mounting area. (See "G. Troubleshooting" for help.) Save seat mounting parts to re-use.
2. After applying Teflon tape to its threads, attach the nipple and hose (Parts no. 2003.16 and 2003.14) and tighten.
3. Determine if your toilet is a one-piece or two-piece unit. If you have a one-piece unit please follow instructions on changing bushing bracket (Part no. 2003.09) mounting location on "Parts Breakdown" page before continuing.
4. Insert threaded bushing of support bracket (Part no. 2003.09) into toilet bowl screw opening used for mounting toilet seat. Use opening on your left when facing the toilet tank. Secure to toilet by installing rubber washer first, followed by plastic washer and chrome nut, onto bottom of threaded bushing. Finger tighten only.
5. Before tightening bushing completely, move shower arm (Part no. 2003.01) to its maximum extension, moving the support bracket (Part no. 2003.09) until shower head is in center of toilet. Upon retraction, shower arm should rest beneath rim of toilet. Finish tightening bracket in place.
DO NOT OVER-TIGHTEN BUSHING OR TOILET WILL CRACK.

C. Hose Installation

1. Remember to use Teflon tape on all water line connections.
2. Install the 7/8" T (Part no 2003.18) to the bottom of the toilet.
3. Connect the 3/8" hose to the 3/8" nipple and then connect to the bidet.
4. Connect the other end of the hose to the already installed 7/8" T valve.
5. Dry your work area completely. Turn on water supply.
6. Check for leaks.

D. Final Installation Instructions

1. If no leaks are found, re-install your toilet seat using existing bolts and nuts. If they are unusable, purchase new ones at your local hardware store.
2. First, insert a bolt through the seat and the threaded bushing. Second, insert the remaining bolt through the seat, the provided plastic spacer (Part no. 2003.11), and the toilet. Tighten nuts onto screws.
3. Check to be sure that the seat does not rest heavily upon the shower assembly (Part no 2003.01) of the **GoBidet**® when in the down position. If it does, see section "G. Troubleshooting" on page 4.

E. Operating Instructions

1. While sitting on your toilet seat, use the horizontal control handle on your **GoBidet**® to move the shower head assembly toward the center of the toilet (underneath the desired area).
2. VERY GENTLY turn ON and adjust water flow by moving the vertical water control stick (Part no. 2003.04) backward toward toilet tank and towards the toilet bowl for cold water operation.
3. When finished cleansing, return water flow to OFF position by moving water control stick forward. Move shower head to "rest" position underneath the toilet's rim.

How to use GoBidet with Hot Water Connection Kit (optional)

VERY GENTLY turn on and adjust water flow by moving the vertical water control stick (Part no. 2003.04) backward toward toilet tank. Adjust water control stick left-to-right to choose your water temperature comfort zone.

VERY IMPORTANT! To avoid scalding do not use only hot water !

F. Care & Maintenance

To keep the **GoBidet**® operating as intended, clean and wipe with baby oil or a similar product when necessary using a soft cloth.

G. Troubleshooting

Removal of toilet seat is usually easily done by popping open the plastic screw covers behind the seat using a flathead screwdriver and unscrewing. If screws are corroded metal and not plastic, they may be difficult to remove using a traditional screwdriver. In this case, you should use a hacksaw blade or bolt cutter to remove screws from the toilet. Be sure to protect your toilet from damage if a hacksaw is used.

1. Water will not turn on:
 - Make sure water supply is connected AND turned on at the wall inlet.
 - The water control stem (#2003.04) can rotate left/right and back/forward. Make sure to push lever in all 4 directions to test the unit. With a cold water connection only, this unit will not work in the warm water positions.
 - Make sure hose is not kinked or twisted.
2. Water leaks from connections:
 - Turn water off and re-seal connections with Teflon tape. Turn water back on and check for leaks. Repeat if necessary.
3. Water leaks from location where shower head assembly connects to **GoBidet**:
 - Firmly tighten nut holding shower head assembly (Part no. 2003.01) to **GoBidet**.
4. Water leaks from **GoBidet** behind the bell handle assembly (Part no. 2003.04):
 - Insert screwdriver in hole at bottom of bell handle assembly and loosen set screw to remove bell handle assembly. Unscrew (counter clockwise direction) chrome nut cover (Part no. 2003.24) from the front of the **GoBidet** housing. This can usually be accomplished by hand.
 - Tighten (clockwise direction) large brass nut (Part no. 2003.45).
 - Replace chrome nut cover and bell handle assembly.
5. Shower head assembly (Part no.2003.01) will not move when sitting on the toilet:
 - If you used all of the included spacers (Part no 2003.11) on the side of seat without the **GoBidet** (Step "D.2") you can request more by contacting us at 1-800-681-0753.
 - If you cannot find taller, attachable bumpers, you may need a new toilet seat with taller bumpers or one with less seat contour.
6. **GoBidet** moves too much when manipulating the controls:
 - Snugly tighten threaded bushing (Step "B.4").
 - Firmly tighten chrome nut holding **GoBidet** to mounting bracket (Part no. 2003.09).
 - In some cases, you may need to also use a strong double-sided tape between the mounting bracket and the bowl. We recommend 3M industrial, double-sided tape.

For all other issues, please visit www.Go-Bidet.com or call 800-681-0753



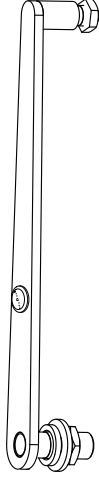
Two-Piece Toilet



One-Piece Toilet

Mounting to one-piece toilets

Swap location of plastic cap and threaded nut/bushing to position shown.

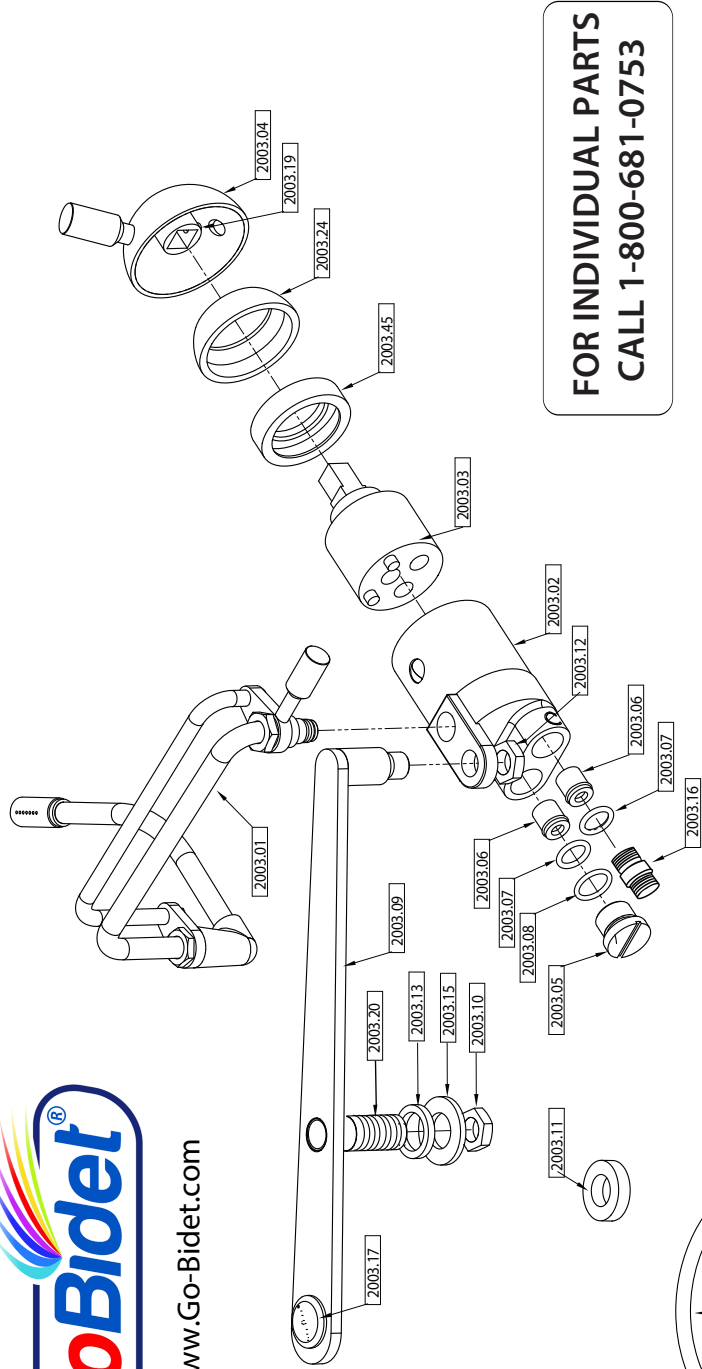


Parts Breakdown

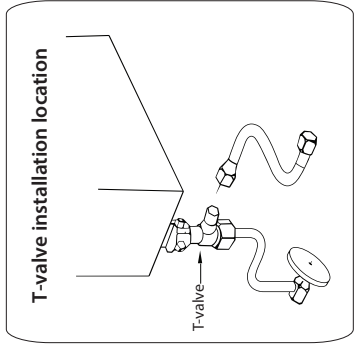
- 2003.01 Complete Shower Assembly
- 2003.02 Bidet Body Casing
- 2003.03 Single Lever Ceramic Mixer Cartridge
- 2003.04 Water Control Assembly
- 2003.05 3/8" Plug
- 2003.06 10mm Flow Regulating Check Valve
- 2003.07 12mm Neoprene 'O' Rings
- 2003.08 14mm Neoprene 'O' Rings
- 2003.09 Bracket w/ Bushing, Nut, & Washer
- 2003.10 Chrome Nut, Large
- 2003.11 One Inch Plastic Spacer
- 2003.12 Chrome Nut, Small
- 2003.13 Rubber Washer
- 2003.14 3/8" Stainless Steel Hose
- 2003.15 Plastic Washer
- 2003.16 3/8" Chrome Plated Nipple
- 2003.17 Plastic Beauty Cap
- 2003.18 1-7/8" T-valve
- 2003.19 Handle Set Screw
- 2003.20 Threaded Bushing
- 2003.24 Nut Cover Ring
- 2003.45 Brass Retainer Nut



www.Go-Bidet.com



**FOR INDIVIDUAL PARTS
CALL 1-800-681-0753**



MODEL 2003 • Completed Assembly

