



CleanSense[®] BIDET



The Clean Sense Bidet Company
151 Ruths Place, Suite #5
Sequim, WA 98382
Tel: 1-800-681-0753
www.CleanSenseBidet.com



CleanSense[®] User Guide for DIB-1500



Preparation

Installation

Operation

Maintenance
& Cleaning

This user's guide contains the product warranty certificate.

Be sure to read this user's guide carefully before use.

■ 120V 60Hz   www.CleanSenseBidet.com



**THIS UNIT WAS MANUFACTURED FOR HOUSEHOLD USE ONLY.
READ ALL OPERATING INSTRUCTIONS BEFORE INSTALLATION.**

Notes

- 1. This product should be installed according to this manual.
- 2. Please read this manual carefully and install properly.
- 3. Please save this manual and place in an easily accessible location.
- 4. Do not attempt to service this appliance yourself. Doing so could void warranty.

CONTENTS

1. Safety Instructions	4	Preparation
2. Product Characteristics	8	
3. Designation of Each Component	9	
4. Installation	11	Installation
5. Trial Operation	13	
6. How to Use the Product	14	Operation
7. User Settings	18	
8. Maintenance & Cleaning	20	Maintenance & Cleaning
9. Before Requesting Repair	22	
10. Product Specifications	23	
11. Functions	24	
12. Warranty Information	25	

Preparation

Installation

Operation

Maintenance & Cleaning

01. Safety Instructions

READ ALL INSTRUCTIONS BEFORE USING

IMPORTANT SAFEGUARDS

When using electrical products, especially when children are present, basic safety precautions should always be followed, including the following:

INSTALLATION

- In the case 120V 60Hz : Power supply must be a 15Amp GFCI outlet.
- The electrical cord is a minimum of 3ft. long.
- The electrical cord must be connected to a GFCI outlet.
- The GFCI outlet should be 1ft. above the floor.
- Install only in well-ventilated areas to avoid excess humidity.
- Do not install in narrow toilet stalls or in shower stalls. Install only where direct contact with water is minimized.
- Do not install near any heat source.
- Avoid using extension cords if possible. Consult with a certified electrician where extension cords are necessary.

DANGER - To reduce the risk of electrocution:

- 1 Do not use while bathing.
- 2 Do not place or store product where it can fall or be pulled into a tub or sink.
- 3 Do not place in or drop into water or other liquid.
- 4 Do not reach for a product that has fallen into water. Unplug immediately.

WARNING - To reduce the risk of burns, electrocution, fire, or injury to persons.

- 1 Close supervision is necessary when this product is used by, on, or near children or those with limited mobility.
- 2 Use this product only for its intended use as described in this manual.
- 3 Do not use attachments not recommended by the manufacturer.
- 4 Never operate this product if it has a damaged cord or plug, if it is not working properly, if it has been dropped or damaged, or dropped into water. Return the product to a service center for examination and repair.
- 5 Keep the cord away from heated surfaces.
- 6 Never use while drowsy.
- 7 Never drop or insert any object into any opening or hose.
- 8 Do not use outdoors or operate where aerosol (spray) products are being used or where oxygen is being administered
- 9 Connect this product to a properly grounded outlet only. See Grounding Instructions.
- 10 When using for the first time, please follow all instructions.

SAVE THESE INSTRUCTIONS

01. Safety Instructions

GROUNDING INSTRUCTIONS

This product should be grounded. In the event of an electrical short circuit, grounding reduces the risk of electric shock by providing an escape wire for the electric current.

This product is equipped with a cord having a grounding wire with a grounding plug. The plug must be plugged into an outlet that is properly installed and grounded.

DANGER - Improper use of the grounding plug can result in a risk of electric shock.

When repairing or replacing the cord or plug, do not connect the grounding wire to either flat blade terminal. The wire with insulation, having an outer surface that is green with or without yellow stripes, is the grounding wire. Check with a qualified electrician or serviceman if the grounding instructions are not completely understood, or if in doubt as to whether the product is properly grounded.

Grounded cord-connected products, rated 15 A or more, intended for use on a nominal 120 V supply circuit. This product is for use on a nominal 120 V circuit, and has a grounding plug that looks like the plug illustrated in Figure 1(A). A temporary adapter, which looks like the adapter illustrated in Figure 1(B) and (C), may be used to connect this plug to a 2-pole receptacle as shown in Figure 1(B), if a properly grounded outlet is not available.

The temporary adapter should be used only until a properly grounded outlet, Figure 1(A), can be installed by a qualified electrician. The green tab, nut, or other connector extending from the adapter must be connected to a permanent ground, such as a properly grounded outlet box cover. Whenever the adapter is used, it must be held in place by the screw.

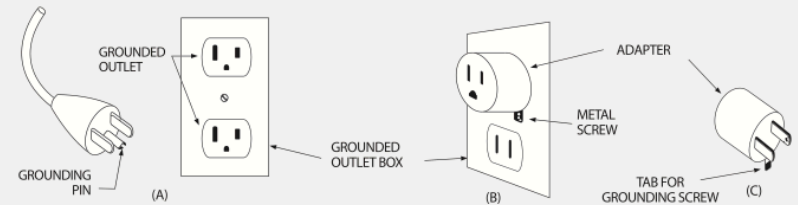


Figure 1.

02. Product Characteristics

● Continuous Warm Water Supply

Enjoy continuous warm water throughout the wash cycle.



● Enema Wash

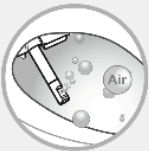
Soft but powerful water wash for added cleansing benefit.

CAUTION should be used when using enema wash.



● Bubble Wash

Aerated water wash adds cleaning comfort.



● Massage

Nozzle moves back and forth for massage effect.



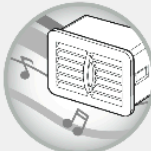
● Pulse

Pulse wash repeatedly cycles from weak to strong.



● Deodorization Function

Helps eliminate odor in the bathroom.



● Energy Saving Function

Two energy saving modes, automatic and manual.



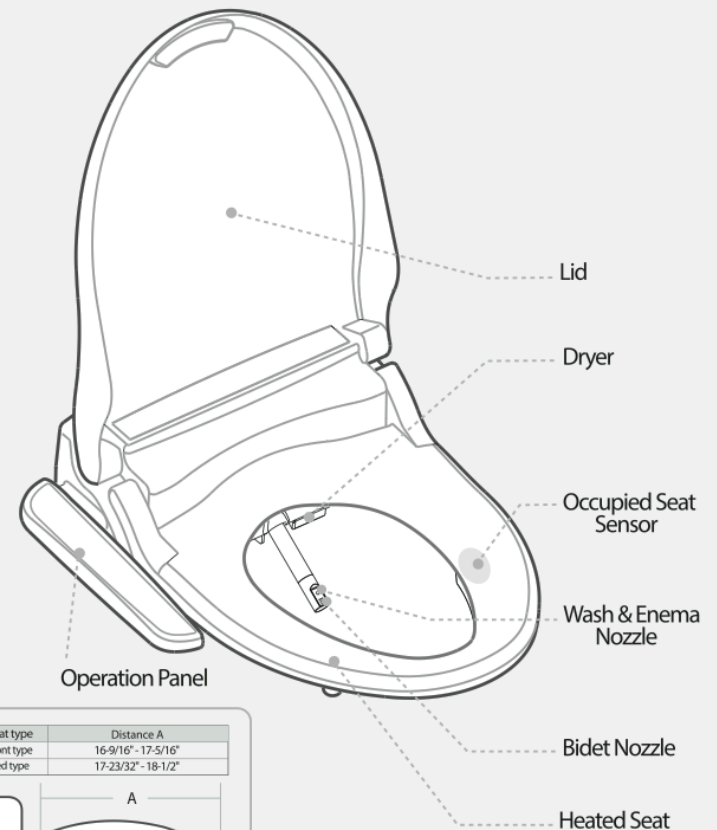
● Child Settings

Specialized nozzle position and water pressure for children.



03. Designation of Each Component

Main Body



Toilet Seat type	Distance A
Round front type	16-9/16" - 17-5/16"
Elongated type	17-23/32" - 18-1/2"

※ Occupied Seat Sensor

• The occupied seat sensor must be activated to operate the unit.

03. Designation of Each Component

Operation Panel

STOP
Stops all functions. To power off, press for 3 seconds.

BIDET
For feminine wash. (2 minutes)

PULSE
Controls PULSE function when in WASH, BIDET & ENEMA WASH modes. Water pressure cycles between strong and weak. Disabled when Child button is pushed.

CHILD
Child safety mode. All settings are adjusted for children. Do not run on the "ENEMA WASH" function.

FR/BK
Control the nozzle position as desired. Press for 3 seconds, nozzle comes out for manual cleaning.

SEAT TEMP
Adjust seat temperature: OFF-LO-MED-HI

WASH
To run WASH function. (2 minutes)

ENEMA WASH
To run ENEMA WASH function. (2 minutes)

MASSAGE
Controls MASSAGE function. Nozzle moves forward and backward repeatedly.

DRY
To run DRY function. (3 minutes)

HI/LO
Adjust water pressure /dry level. (5 levels)

WATER TEMP
Adjust water temperature: OFF-LO-MED-HI

ENERGY SAVING
1 Automatic Mode
2 Power Saving Mode
3 Cancel

※ Child mode indicator

Accessories

Bolts

Nuts

Washers

Cone Packings

Bracket Holders

Bracket

Filter
※ Optional

T-valve

Bidet Water Supply Hose (T-valve to Bidet)

Deodorizing Cartridge

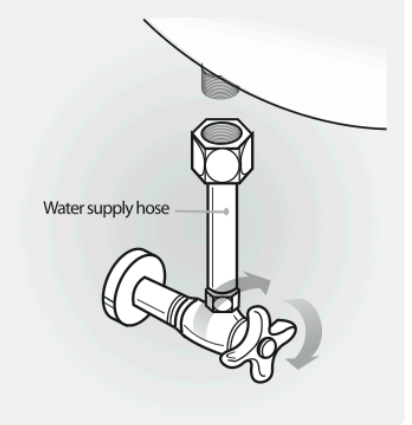
04. Installation

Order of Installation

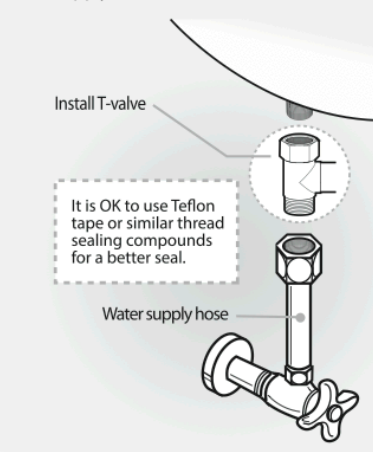
1 Remove the seat from the existing toilet.
Unscrew the nuts, then remove the seat and lid.
Keep the removed seat, lid and nuts to restore toilet to its original configuration in the future.



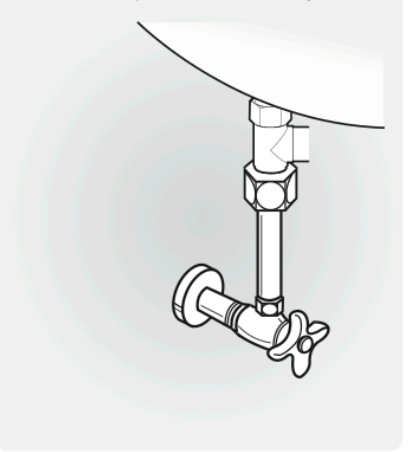
2 Close the water feed valve, flush the toilet 2-3 times, and disconnect hose at toilet tank.



3 Install T-valve, then re-connect water supply hose as shown below.

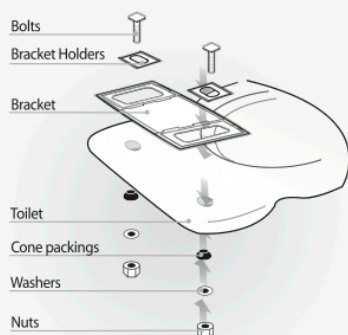


4 IMPORTANT!
Do not open water feed valve yet.

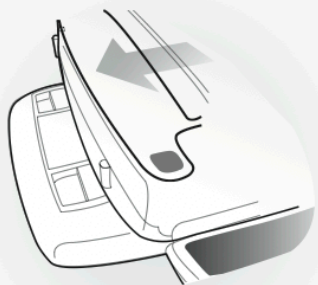


04. Installation

- 5** Mount the bracket onto the toilet.

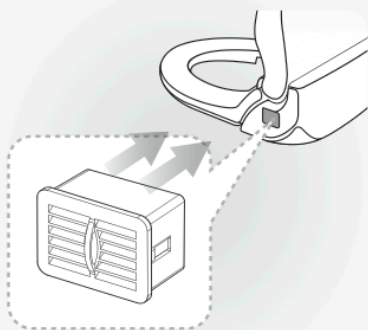


- 6** Push the main body toward the bracket completely.

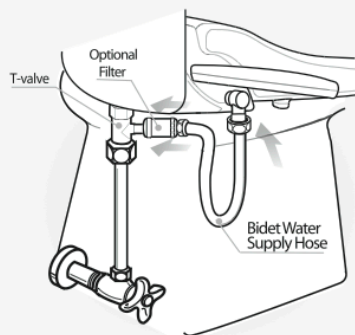


- ▶ Push it in until you hear it 'click'.
- ▶ If the product is not installed properly, it may drip water into the toilet.

- 7** Insert the deodorizing cartridge into the bidet body.



- 8** Connect one end of the Bidet Water Supply Hose to the T-valve (or optional Filter). Connect the other end to the bidet body as shown below.

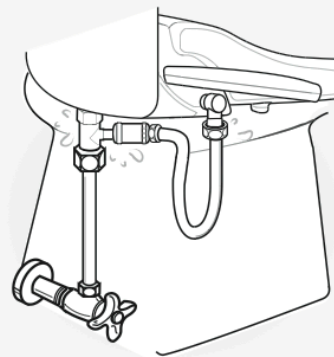


05. Trial Operation

Order of Trial Operation

- 1** Open the water feed valve by turning it counter-clockwise.

- ▶ Make sure there is no water leaking around the hose connections.



- 2** Make sure the nozzle comes out and retracts when powered on.

- ▶ Don't plug the power cord with wet hands. Risk of electric shock.



- 3** When the unit is powered on, the water will begin to flow and then stop.

- ▶ Sit on seat to test. (Bare skin contact is required.)



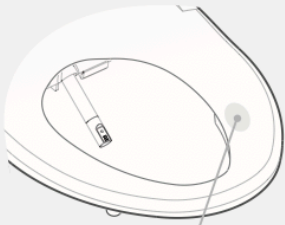
06. How to Use the Product

Basic Operation Method

1 Sit on the toilet seat.

- ▶ Be sure to sit on the seat sensor. If the sensor is not 'occupied', bidet seat functions will not operate.

Deodorizing function starts automatically.



User sensor

2 Press WASH, BIDET, ENEMA WASH buttons.

- ▶ Selected functions can be used as desired with the following exceptions:
 - When selecting ENEMA WASH function, MASSAGE function cannot be used.
 - When selecting CHILD WASH function, ENEMA function cannot be used.
- ▶ Clean Sense's specialized water spray in ENEMA WASH function enters the rectum.
- ▶ After WASH/BIDET WASH function, dryer starts automatically.



Wash



Bidet



Enema

3 Press Dryer Button.

- ▶ Dry function lights are illuminated. (5-levels)
- ▶ Dryer operates for 3 minutes.
- ▶ Drying will be improved if you wipe moisture lightly before operating drying function.



Dry

4 Press the STOP Button.

- ▶ All operations will stop.



Stop

5 MASSAGE WASH

- ▶ When pressing the MASSAGE button, the nozzle location will move back and forth to wash a wider area.
- When selecting MASSAGE function, ENEMA WASH function cannot be used.



Massage

6 PULSE WASH

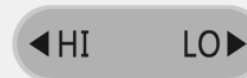
- ▶ When pressing the PULSE button during the operation of WASH/BIDET WASH and ENEMA WASH, water pressure will alternate between HI/LO levels for a smooth pulsating wash.



Pulse

7 Water Pressure Control

- ▶ Pressing HI/LO button enables the control of water pressure.
- ▶ If the water or screen filters become blocked, it may cause low water pressure. Regularly check the water and screen filters for foreign material.

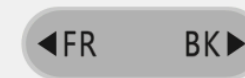


HI

LO

8 Nozzle Position Control

- ▶ Nozzle position can be controlled by pressing FR/BK.



FR

BK

06. How to Use the Product

Basic Operation Method

9 CHILD Function

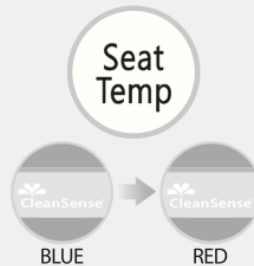
- ▶ All settings are adjusted for child.
- ▶ Nozzle moves forward more than adult wash.
- ▶ Water pressure is weaker than adult wash.
- ▶ Seat temperature is set at lower than adult setting.

Child Function is on when illuminated



10 SEAT TEMPERATURE Control

- ▶ Pressing the SEAT TEMP CONTROL button adjusts the temperature of the seat. ROOM TEMP - LO - MED - HI
- ▶ If the seat temperature reaches 93°F or more, the Seat Temperature Indicator turns RED, otherwise it remains blue.



11 WATER TEMPERATURE Control

- ▶ Pressing the WATER TEMP CONTROL button adjusts the temperature of the water. ROOM TEMP - LO - MED - HI



12 ENERGY SAVING Function

- ▶ **Automatic Energy Saving Mode**
When the button is pressed once, it enters into Automatic Energy Saving Mode. (Yellow LED lamp is illuminated.)
When bidet seat is occupied, it adjusts to the LO setting, and then returns to the automatic saving mode when seat is unoccupied.
- ▶ **Learning Energy Saving Mode**
When the button is pressed twice, it enters into Learning Energy Saving Mode. (Green LED lamp is illuminated.)
- ▶ When the button is pressed three times, the ENERGY SAVING MODE will be turned off.

13 Deodorizing function

- ▶ When sitting on the seat, the deodorizing function starts automatically.
- ▶ Deodorizing function can be controlled using the following methods:

While holding the STOP button, press the WATER TEMP button once. Deodorizing fan will rotate at slow speed during and after use of the bidet.

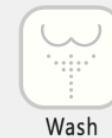
While holding the STOP button, press the WATER TEMP button twice. Deodorizing fan will rotate at a slow speed during use of the bidet, and at high speed after use.

While holding the STOP button, press the WATER TEMP button three times. Deodorizing fan will rotate at high speed during and after use of the bidet.

- ▶ After use of the bidet, the deodorizing function operates for one minute.

14 Manual Nozzle Cleaning

- ▶ While not occupying the bidet seat, press and hold the WASH button for 3 seconds. The nozzle will move to its fully extended position, so it may be cleaned easily. It will return to its normal position after 2 minutes.
- ▶ To manually retract the nozzle, press the STOP button. The nozzle will return to its normal position, and begin the self-cleaning operation.



Please feel free to contact us if you have any questions regarding the functions or features of this bidet seat.

Email: service@cleansensebidet.com

Tel: 1-800-681-0753 (inside US/Canada) or +1 360-681-0753



1. After enema wash, be sure to eliminate all water from rectum.
2. If the concentrated water stream of the Enema Wash is not pointing to the center of posterior, it may cause discomfort.
3. Initial use of the Enema Wash may cause bleeding and/or discomfort in those with anal conditions.
4. Excessive use of the Enema Wash may aggravate constipation.

07. User Settings

● : Seat Switch 'Off' Status ○ : Seat Switch 'On' Status ◐ : Regardless of On/Off

No	Function	Seat Status	Switch Operation	Description	Initial Status																														
1	Automatic Massage Preset/Release	○	Press MASSAGE button for 3 sec or longer, while not occupying the seat (Same for release)	When pressing WASH, BIDET button, MASSAGE will operate automatically even if not pressing the MASSAGE button.	CANCEL																														
2	Automatic Pulse Preset/Release	○	Press PULSE button for 3 sec or longer, while not occupying the seat (Same for release)	When pressing WASH, BIDET, ENEMA WASH button, PULSE will operate automatically even if not pressing the PULSE button.	CANCEL																														
3	Operating Signal Cancel	●	Press MASSAGE for 3 sec.	Use when turning off the beeping noise	Operating Signal is turned on																														
4	Selecting the operating time of WASH, (BIDET, ENEMA WASH) and DRY	●	Press 'Backward' and 'Lo' buttons for longer than 3 sec.	<ul style="list-style-type: none"> Using Hi / Lo button, select the desired washing time. <table border="1"> <tr> <td colspan="3">Hi</td> <td colspan="2">Lo</td> </tr> <tr> <td>○</td><td>○</td><td>○</td><td>○</td><td>○</td> </tr> <tr> <td>5M</td><td>3M</td><td>2M</td><td>1M</td><td>30S</td> </tr> </table> <ul style="list-style-type: none"> Using Forward/Backward button, select the desired drying time <table border="1"> <tr> <td colspan="3">Forward</td> <td colspan="2">Backward</td> </tr> <tr> <td>○</td><td>○</td><td>○</td><td>○</td><td>○</td> </tr> <tr> <td>5M</td><td>4M</td><td>3M</td><td>2M</td><td>1M</td> </tr> </table>	Hi			Lo		○	○	○	○	○	5M	3M	2M	1M	30S	Forward			Backward		○	○	○	○	○	5M	4M	3M	2M	1M	Washing 2 Min. Drying 3 Min.
Hi			Lo																																
○	○	○	○	○																															
5M	3M	2M	1M	30S																															
Forward			Backward																																
○	○	○	○	○																															
5M	4M	3M	2M	1M																															

Tip. If washing time is set to 3 minutes or longer, sitz bathing will be possible.

5	Selecting the speed of deodorizing fan:	◐	While pressing the STOP button, press the Water Temp button	Press the Water Temp button to select the desired speed. <table border="1"> <thead> <tr> <th colspan="3">Water Temp(LED)</th> <th colspan="2">Speed of Deodorizing Fan</th> </tr> <tr> <th>○</th><th>○</th><th>○</th> <th>Seated</th><th>Unseated</th> </tr> </thead> <tbody> <tr> <td>OFF</td><td>OFF</td><td>OFF</td> <td>OFF</td><td>OFF</td> </tr> <tr> <td>OFF</td><td>OFF</td><td>OFF</td> <td>Low speed</td><td>Low speed</td> </tr> <tr> <td>OFF</td><td>OFF</td><td>OFF</td> <td>Low speed</td><td>High speed</td> </tr> <tr> <td>OFF</td><td>OFF</td><td>OFF</td> <td>High speed</td><td>High speed</td> </tr> </tbody> </table>	Water Temp(LED)			Speed of Deodorizing Fan		○	○	○	Seated	Unseated	OFF	OFF	OFF	OFF	OFF	OFF	OFF	OFF	Low speed	Low speed	OFF	OFF	OFF	Low speed	High speed	OFF	OFF	OFF	High speed	High speed	High speed while seated, High speed while unseated.
Water Temp(LED)			Speed of Deodorizing Fan																																
○	○	○	Seated	Unseated																															
OFF	OFF	OFF	OFF	OFF																															
OFF	OFF	OFF	Low speed	Low speed																															
OFF	OFF	OFF	Low speed	High speed																															
OFF	OFF	OFF	High speed	High speed																															

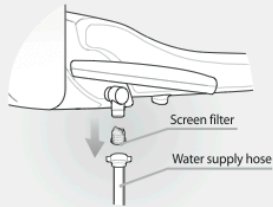
No	Function	Seat Status	Switch Operation	Description	Initial Status
6	Saving the washing water pressure /nozzle position	○	Pressing WASH button for 3 sec.during the operation of WASH	Even if another user selects different pressure and position, when the user gets off the seat, settings will automatically return to the presets.	Water pressure 3 steps Nozzle 3 steps.
7	Saving the bidet water pressure and nozzle position	○	Pressing BIDET button for 3 sec during the operation of BIDET	Even if another user selects different pressure and position, when the user gets off the seat, settings will automatically return to the presets.	Water pressure 3 steps Nozzle 3 steps.
8	Saving the Enema Wash water pressure and nozzle position	○	Pressing Enema Wash button for 3 sec during the operation of Enema Wash	Even if another user selects different pressure and position, when the user gets off the seat, settings will automatically return to the presets.	Water pressure 3 steps Nozzle 3 steps.
9	Initialization	●	Press STOP button for 5 sec.	Returns all functions to initial state.	



08. Maintenance & Cleaning

Cleaning Water pipe filter

- 1 Close the water feed valve by turning it clockwise.
- 2 Disconnect the water supply hose. Take the screen filter out and clean it with a soft brush. (e.g. toothbrush)
- 3 Return screen after cleaning and reconnect the water supply hose.
- 4 Open the water feed valve by turning it counter-clockwise.



Cleaning Nozzle

- 1 Press WASH button for 3 seconds while not occupying the seat. Nozzle will move forward and stop for 2 minutes.
- 2 Clean the nozzle with an unused toothbrush or other soft clean brush. Press the STOP button. Nozzle will return to its normal position.



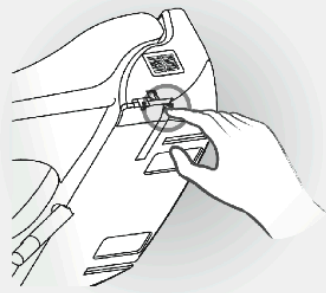
Cleaning Bidet Body

- 1 Exterior surface of bidet is made of a plastic material, which may be damaged by stiff scrubbers, chemicals, etc.
- 2 Wipe the surface with a soft, damp cloth which has been wrung out completely. Do not spray water directly onto the surface of the bidet.
- 3 Clean the body only after removing the power plug from the outlet. Make sure no water splashes the power plug or outlet.
- 4 Don't touch the power outlet with wet hands. This creates a risk of electric shock.



Draining Hot Water Tank

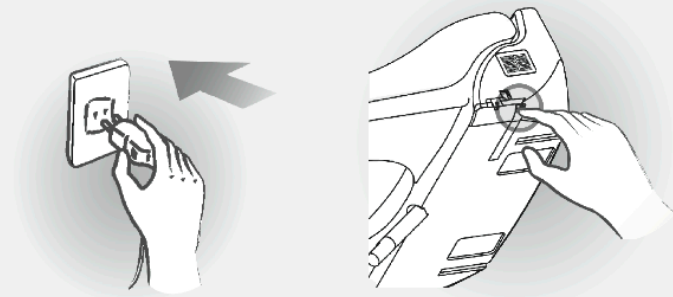
- 1 Remove the power plug from the outlet.
- 2 Close the water feed valve by turning it clockwise.
- 3 Press and hold the release button on the side of the main body until water stops draining.



Maintenance during winter season

When bidet seat is not used for an extended period of time, either:

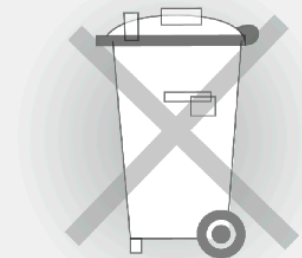
Leave unit plugged in and turned on OR Unplug and drain the unit



Do not throw away

We are committed to protect the environment.

Please help us by disposing of this product in a responsible way when it reaches the end of its service life, to prevent certain substances contained in electric and electronic products from harming public health or the environment. The symbol means that the products may not be thrown away with other household waste: at the end of its service life, it may be taken at no charge to you to the waste-collection centers provided for the purpose by the authorities in your country.



09. Before Requesting Repair

※ Please try the following solutions before requesting product repair.

Issue	Solution
Unit is not working	<ul style="list-style-type: none"> • Make sure the unit is plugged in. • Make sure there is power at the outlet.
Water doesn't spray from nozzle	<ul style="list-style-type: none"> • Turn on water supply. • Turn on water feed valve. • Check nozzle for blockage. • Make sure connection hose is not bent.
Water pressure is low	<ul style="list-style-type: none"> • Make sure screen filter is clean. • Set water pressure to a higher level.
Water is not warm enough	<ul style="list-style-type: none"> • Check if temperature is set to "OFF" or "LOW", or in ENERGY-SAVING or CHILD modes.
Seat is not warm enough	<ul style="list-style-type: none"> • Check if temperature is set to "OFF" or "LOW", or in ENERGY-SAVING or CHILD modes.
Enema wash is not functioning	<ul style="list-style-type: none"> • Make sure CHILD mode is off.
Water drips into toilet bowl.	<ul style="list-style-type: none"> • Remove and reattach mounting plate bracket on toilet. See page 12, #5 and #6 for details.



10. Product Specifications

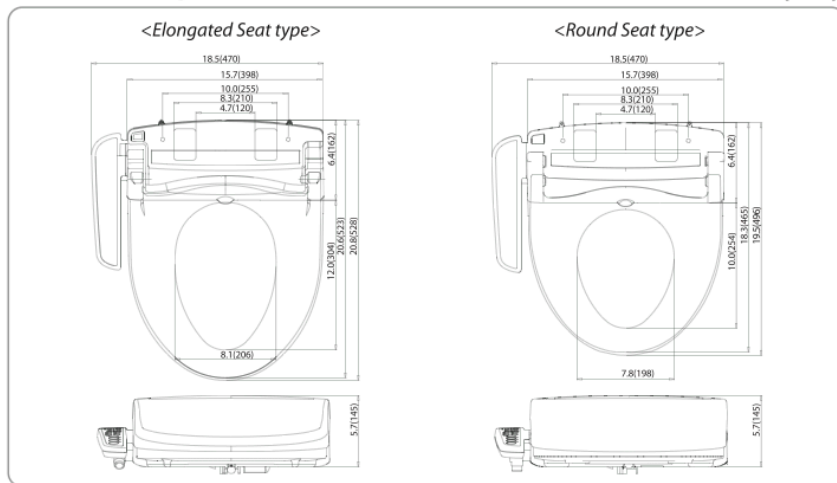
Item		DIB-1500	
Rated Voltage		AC 120V, 60Hz	
Max. Consumption Power		1270W	
Power Cord Length		3 ~ 4 ft	
Water Pressure		9.9 ~ 106.6 psi	
Wash	Volume	Wash	0.16 gal / min
		Bidet	0.16 gal / min
		Enema Wash	0.16 gal / min
	Water Pressure Control	5-Step Control	
	Temp. Control	Room Temp-Lo-Med-Hi	
Heated Seat	Safety Device	Temp. Fuse, Thermo Switch	
	Temp. Control	Room Temp-Lo-Med-Hi	
Dry	Safety Device	Temp. Fuse	
	Temp. Control	Room Temp-Lo-Med-Hi	
Deodorization		Catalytic Deodorization	
Product Dimensions	Elongated	18.5" X 20.8" X 5.7"	
	Round	18.5" X 19.5" X 5.7"	
Product Weight [Gross Weight]	Elongated	10.6lb [17.3lb]	
	Round	10.5lb [17.1lb]	

11. Functions

	Function	DIB-1500
Wash/Dry Function	Wash	●
	Bidet	●
	Enema Wash	●
	Aerated Wash	●
	Dry	●
	Deodorization	●
Convenient / Comfort Function	Pressure Booster Pump	●
	Automatic Energy Saving	●
	Learning Energy Saving	●
	Massage	●
	Pulse	●
	Instant heating	●
	Warm Seat	●
	Soft-closing Lid	●
	Detachable Main Body	●
	Child Settings	●

■ Dimension diagrams

inch(mm)



12. WARRANTY INFORMATION

Bidet Seat 1-Year Limited Warranty

(For Customers in the United States)

- All warranty service will be provided by our Factory Service Center.
- Warranty covers any part of the bidet seat which fails due to a defect in materials or workmanship.
- During this **limited one-year warranty**, we will also provide, **free of charge**, all labor and related service to **replace** the defective part.

Product Name	Warranty Period	
Model Name	One (1) year since the date purchased	
Date Purchased		
SER. No.		
Customer's Address	Name	
	Tel.No	
Distributor's Address	Name	
	Tel.No.	

What CleanSense Bidet will not cover:

- Service trips to your home.
- Improper installation, delivery or maintenance.
- Failure of the product due to abuse, misuse or use for other than the intended purpose.
- Use of the product for commercial purposes.
- Damage caused after delivery.
- Damage to the product caused by accident, fire, floods, or acts of God.
- Incidental or consequential damage caused by possible defects with this product.

EXCLUSION OF IMPLIED WARRANTIES - Your sole and exclusive remedy is product repair as provided in this Limited Warranty. Any implied warranties, including the implied warranties of merchantability or fitness for a particular purpose, are limited to one year or the shortest period allowed by law.

This warranty is extended to the original purchaser and any succeeding owner for products purchased for home use within the USA. If the product is located in an area where service by our Factory Service Center is not available, you may be responsible for a trip charge or you may be required to bring the product to an authorized service facility for service. The warranty excludes the cost of shipping to a service facility.

Mail or email this warranty form to:



151 Ruths Place, Suite #5, Sequim, WA 98382 USA
 Tel: 1-800-681-0753 Email: info@cleansensebidet.com
www.CleanSenseBidet.com