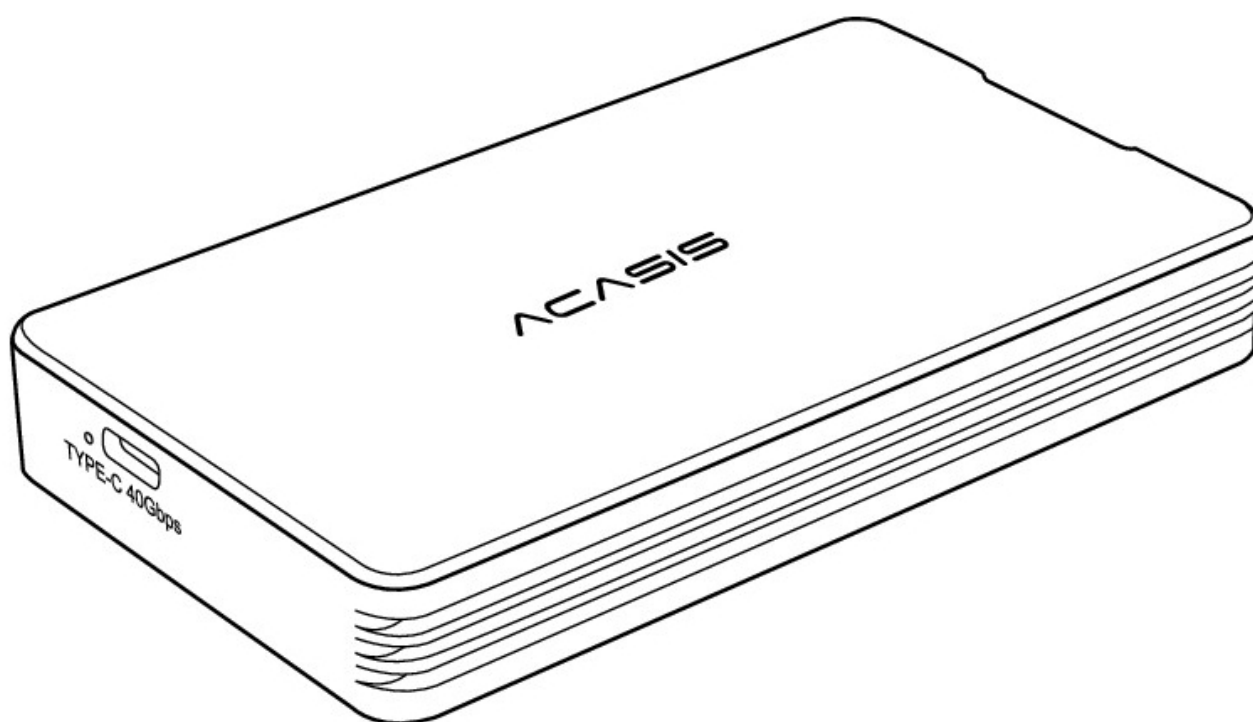


**ACASIS**

**40Gbps NVMe M.2 SSD ENCLOSURE  
PCIe M key, B&M Key**



**TBU401E**

**User Manual**

**ACASIS 40Gbps NVMe M.2 SSD Enclosure is compatible with Thunderbolt 3/4 and supports USB 3.2/3.1/3.0/2.0 to meet various needs.**

### **Features:**

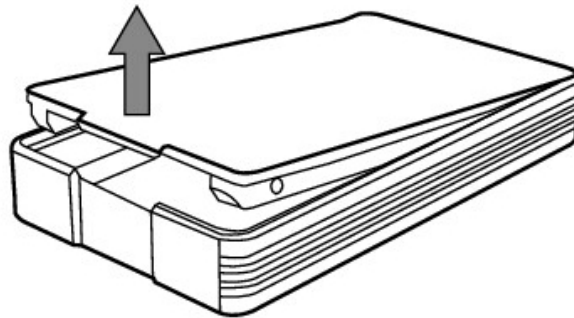
- Transmission Speed: Up to 40Gbps
- Compatible SSD Size: 22\*80
- Supported Protocol: PCIe M.2 NVMe
- Supported SSD Keys: M key, B&M Key
- Interface: Type-C
- Tool-Free Installation
- Plug and Play
- Shell Material: Aluminum Alloy
- Dimensions: 100\*61\*14.5mm
- System Requirements: Windows 7/8/10/11,  
Linux, macOS 10.3 or higher

### **Package Contents:**

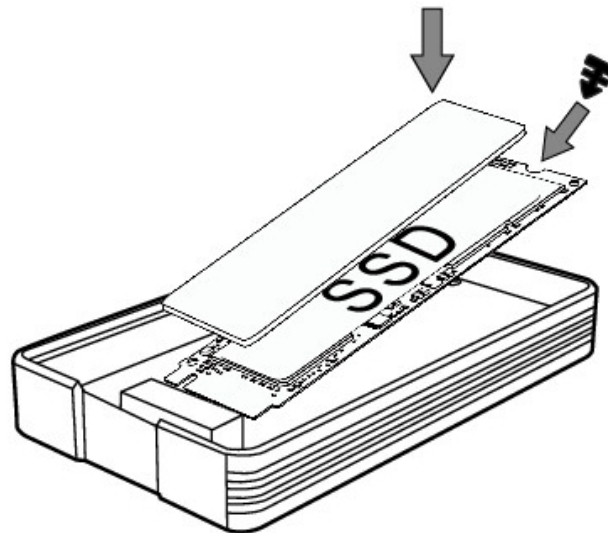
- 40Gbps NVMe M.2 SSD Enclosure
- Thunderbolt 3 Cable
- Silicone Stoppers
- Thermal Pads
- User Manual

## Installation Instruction

1. Remove the bottom plate from the groove.

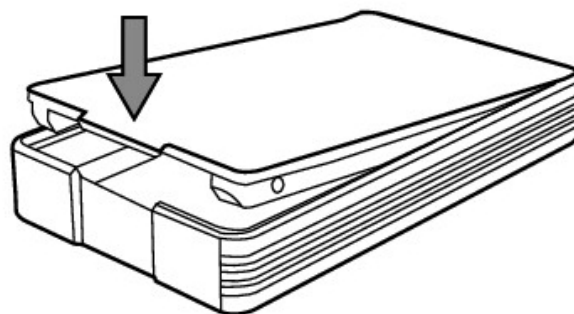


2. Attach the thermal pad on the top of the SSD. Slide the SSD at 45° into the slot until it is properly seated. Then tighten with the silicone stopper.



\*Please choose the proper thermal pad according to the thickness of your SSD, ensuring the SSD can touch the bottom plate. Thermal pad can be removed without residue.

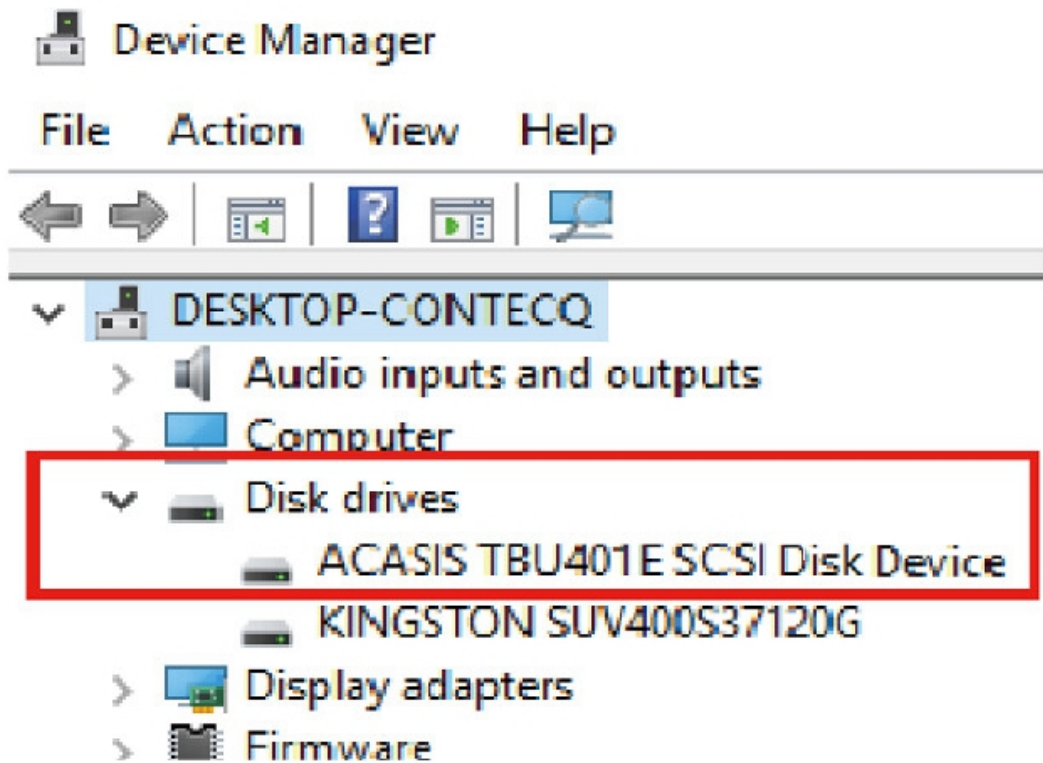
3. Place the bottom plate back and push it down until it clicks into place.



- 2) Make sure you use the Thunderbolt 3 cable that is included in the package, or try your own Thunderbolt 3/4 cable.
- 3) Try to disconnect and re-connect the Thunderbolt cable or reboot the computer.
- 4) Update the Thunderbolt driver/firmware on your computer.

Windows with USB 3.2/3.1/3.0/2.0 interface:

- 1) Right click Start Menu --> Device Manager --> Disk Drives



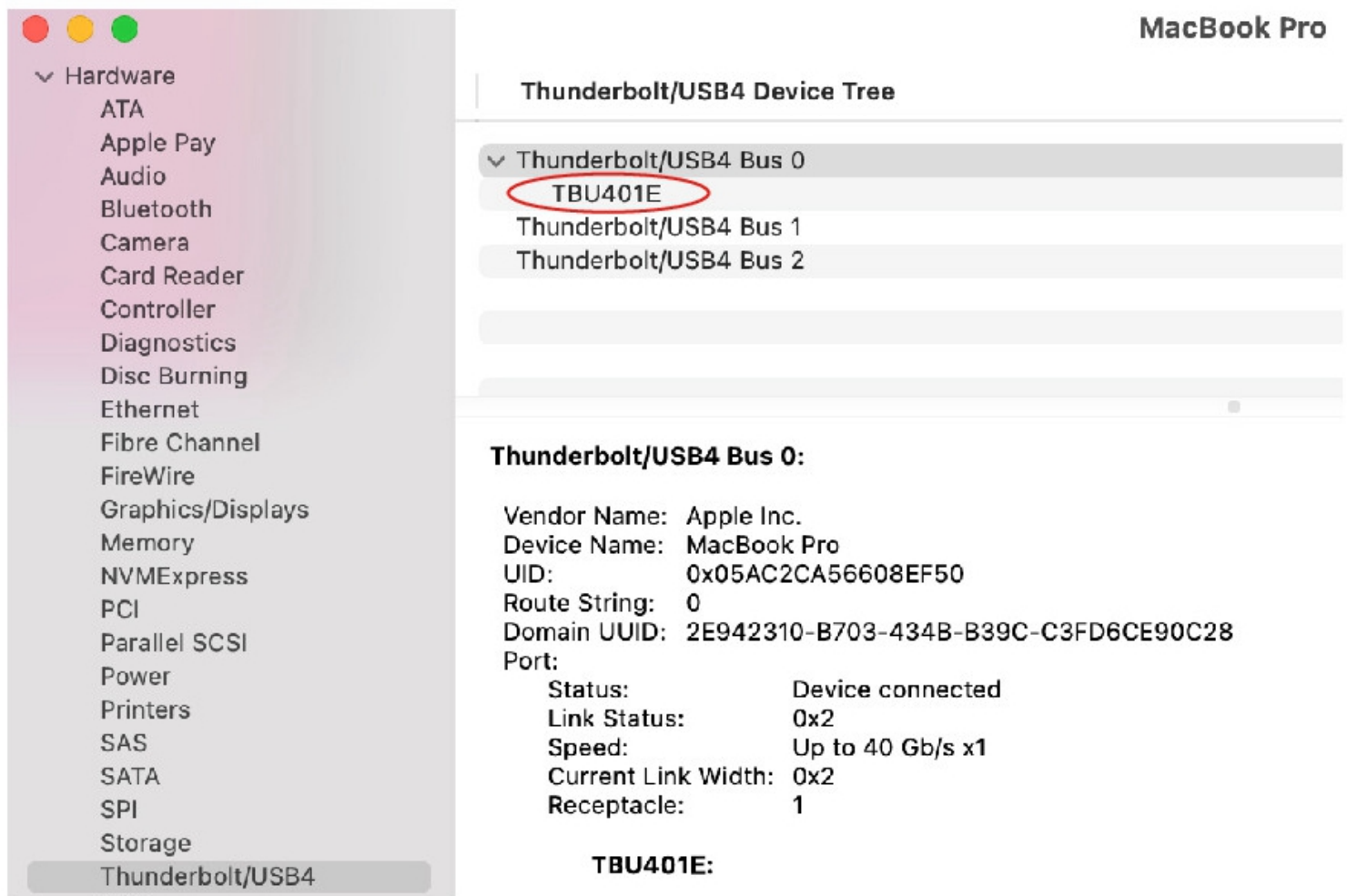
- 2) If not recognized as above, please check if your USB cable is a data cable. A charging cable will not work.
- 3) Check if the interfaces on your computer and enclosure are clean.

## Mac:

1) Find the enclosure in your system information:

① For Thunderbolt 3/4 interface

Click the Apple icon in the upper left corner --> About This Mac --> System Report --> Thunderbolt/USB4 and PCI, then find TBU401E and your SSD info.



The screenshot shows the macOS System Information window for a MacBook Pro. The left sidebar lists hardware components, with 'Thunderbolt/USB4' selected. The main pane displays the 'Thunderbolt/USB4 Device Tree' with 'TBU401E' circled under 'Thunderbolt/USB4 Bus 0'. Below, the details for 'Thunderbolt/USB4 Bus 0' are shown, including Vendor Name (Apple Inc.), Device Name (MacBook Pro), and various identifiers. The 'Port' section shows 'Status: Device connected'.

**MacBook Pro**

**Thunderbolt/USB4 Device Tree**

- Thunderbolt/USB4 Bus 0
  - TBU401E**
  - Thunderbolt/USB4 Bus 1
  - Thunderbolt/USB4 Bus 2

**Thunderbolt/USB4 Bus 0:**

Vendor Name: Apple Inc.  
Device Name: MacBook Pro  
UID: 0x05AC2CA56608EF50  
Route String: 0  
Domain UUID: 2E942310-B703-434B-B39C-C3FD6CE90C28

Port:

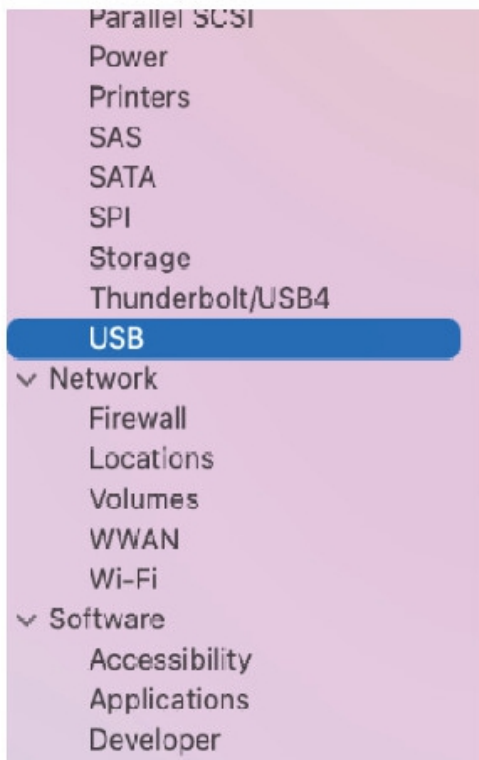
Status:	Device connected
Link Status:	0x2
Speed:	Up to 40 Gb/s x1
Current Link Width:	0x2
Receptacle:	1

**TBU401E:**



② For USB 3.2/3.1/3.0/2.0 interface

Click the Apple icon in the upper left corner --> About This Mac --> System Report --> USB, then find TBU401E and your SSD info.



Current Available (mA): 900  
Current Required (mA): 896  
Extra Operating Current (mA): 0  
Media:  
**TBU401E :**  
Capacity: 250.06 GB (250,059,350,016 bytes)  
Removable Media: No  
BSD Name: disk2  
Logical Unit: 0  
Partition Map Type: GPT (GUID Partition Table)  
S.M.A.R.T. status: Verified  
USB Interface: 0  
Volumes:  
**disk2s1:**  
Capacity: 16.8 MB (16,759,808 bytes)  
BSD Name: disk2s1  
Content: Microsoft Reserved  
**NVMe Drive:**  
Capacity: 250.04 GB (250,041,335,808 bytes)  
Free: 250.02 GB (250,018,529,280 bytes)  
Writable: Yes  
File System: ExFAT

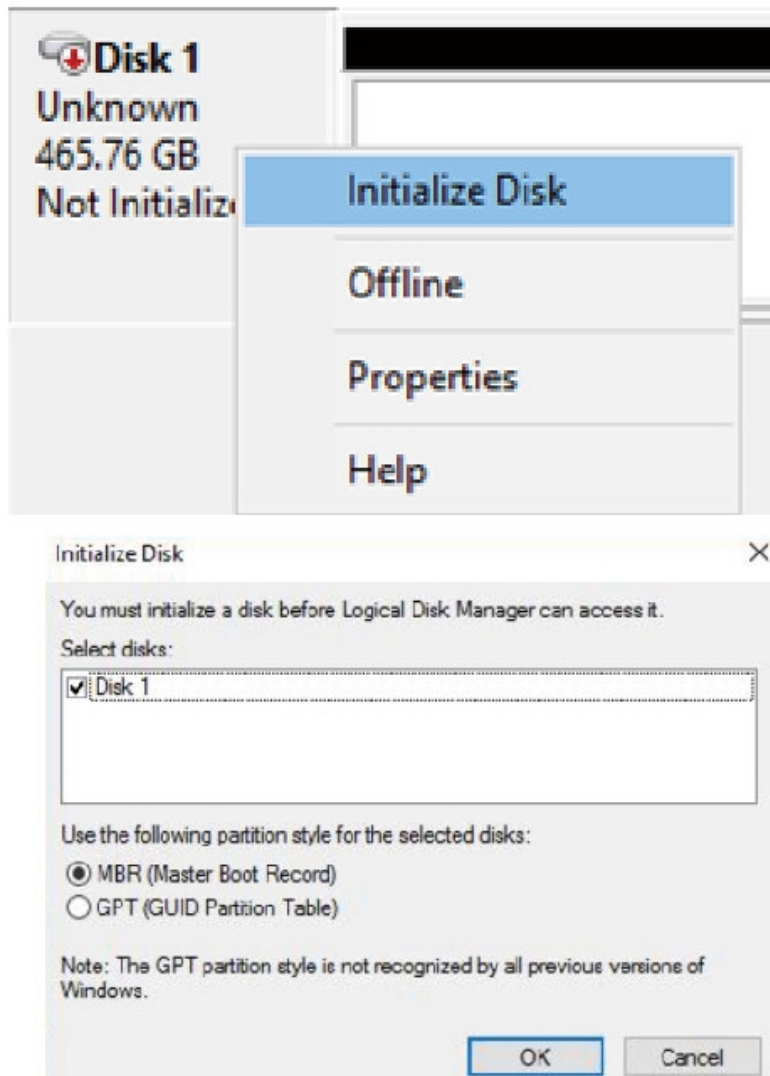
2) If the enclosure is not recognized, please kindly re-check the data cable and the interfaces.

## 2. Using A Brand New Hard Drive

If you are using a brand new drive, you might have to initialize it before you can use it.

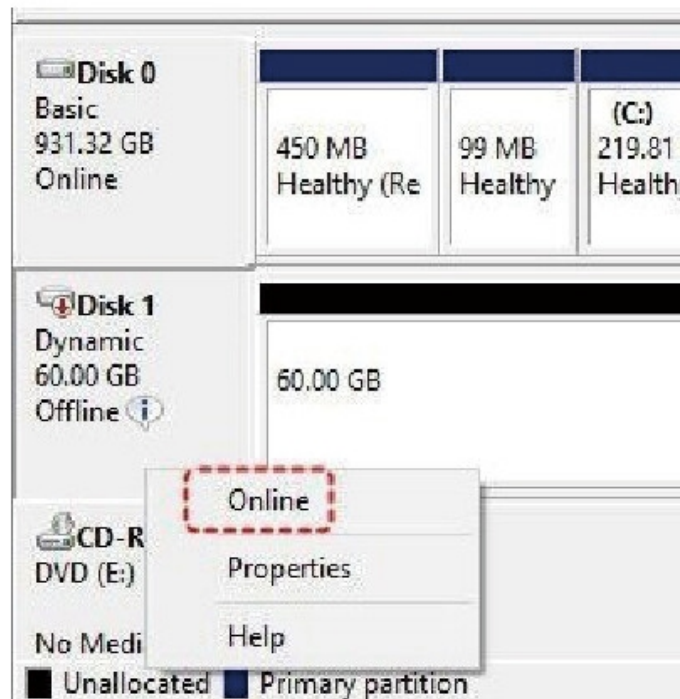
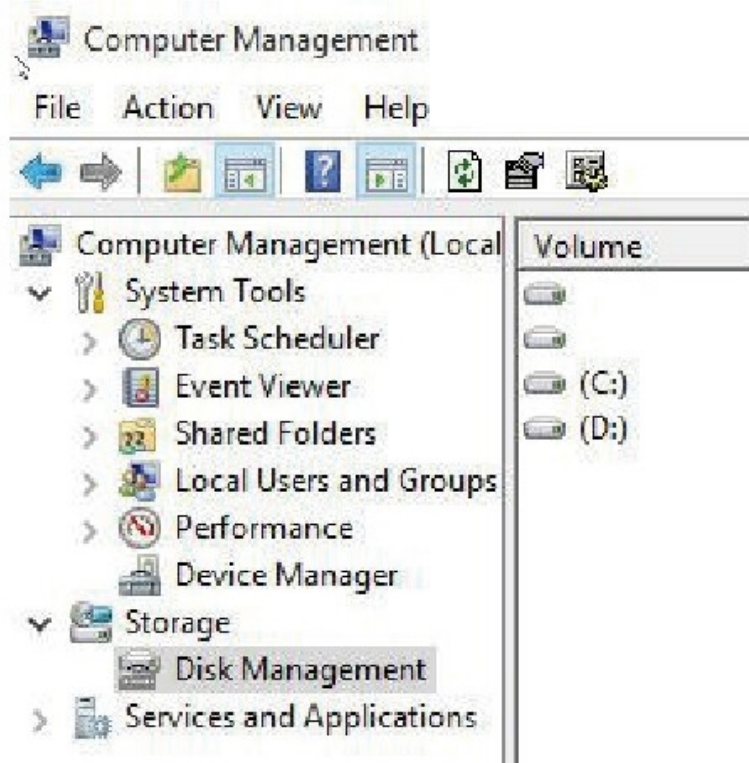
**NOTE:** Only initialize a disk if you are absolutely sure it is a brand new one without any of you data.

Open Computer Management --> Storage Disk Management, then right-click on the disk you want to initialize, and select Initialize Disk on the drop-down menu. Please make sure that the correct disk is selected.



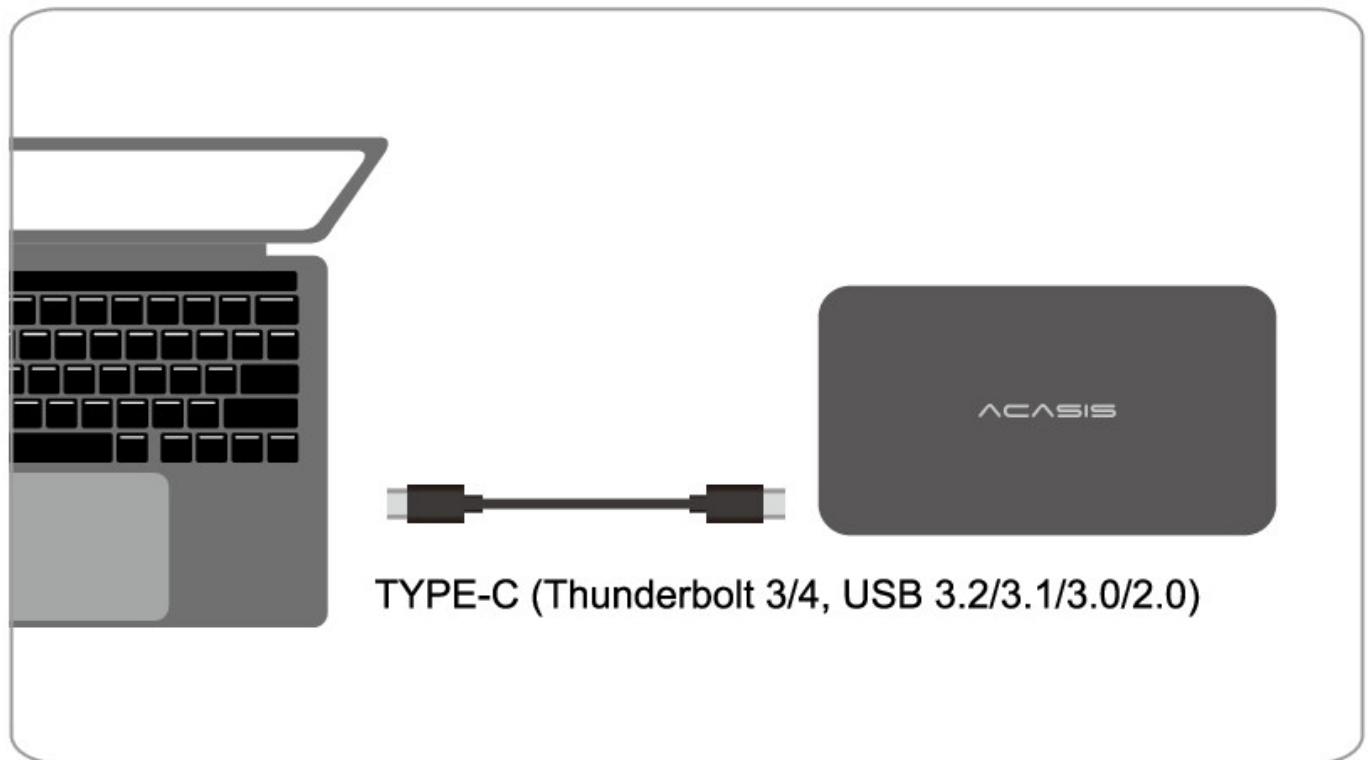
### 3. Drive is Connected but Missing in File Explorer

Open Computer Management --> Storage Disk Management, then right-click on the disk marked as Offline and select Online on the drop-down menu.





**ACASIS 40Gbps NVMe M.2 SSD Enclosure is compatible with Thunderbolt 3/4 and previous USB versions (USB 3.2/3.1/3.0/2.0).**



ACASIS Inc. Co., Ltd.  
Email: [support@acasis.com](mailto:support@acasis.com)  
Website: [www.acasis.com](http://www.acasis.com)