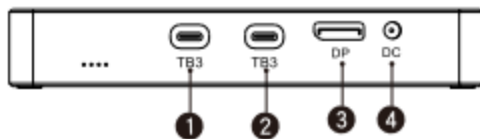


## Acasis Thunderbolt 3 SSD Docking Station



### Interface Introduction

- 1.Thunderbolt 3
- 2.Thunderbolt 3
- 3.DisplayPort
- 4.DC power supply port



### Specifications

Brand: ACASIS

Name: Thunderbolt 3 SSD Enclosure Dock Station

Model: TB3SD2/TB3SD4

Dimensions(L\*W\*H):159\*83\*26mm/159\*139\*26mm

Supported Capacity: Dual Disk 16TB/Quad Disk 32 TB

Hard Disk Protocol: NVMe

Interface: Thunderbolt 3 x 2, Displayport x 1

Transmission Speed: 40Gbps

Thunderbolt 3 Resolution: 5K@60Hz

DP Resolution: 4K@60Hz

Power Supply: 12V/7.5A (90W)

Color: Gray

Shell Material: Aluminum alloy

Weight: 450g/640g

Compatible System: Windows XP/2000/7/8/10, Vista, Linux, Mac OS 10.3 or higher

## Package Contents



Docking Station x 1



DC power x 1



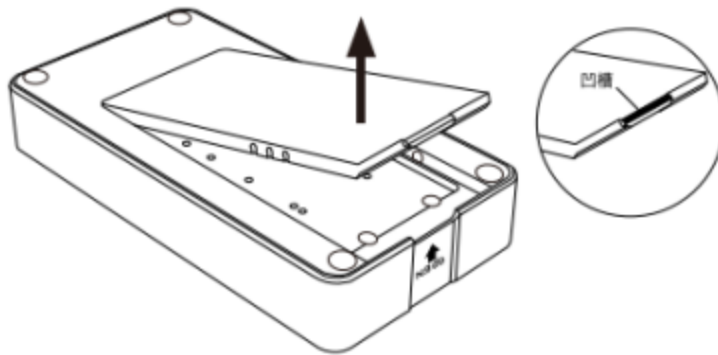
TB3 Cable x 1(50 cm)



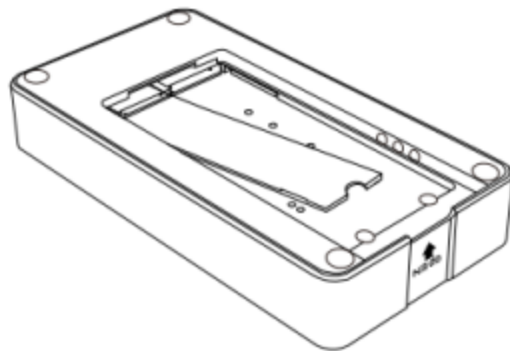
User Manual x 1

## Installation Instruction

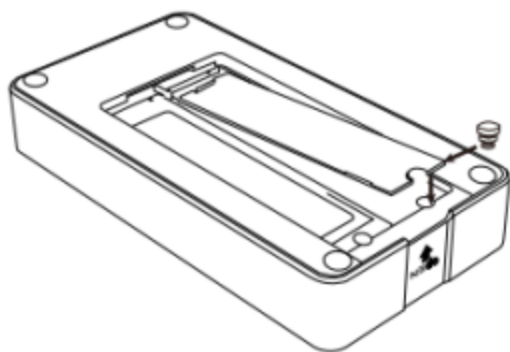
1. With the back of the product facing upwards, buckle the hard disk cover upwards.



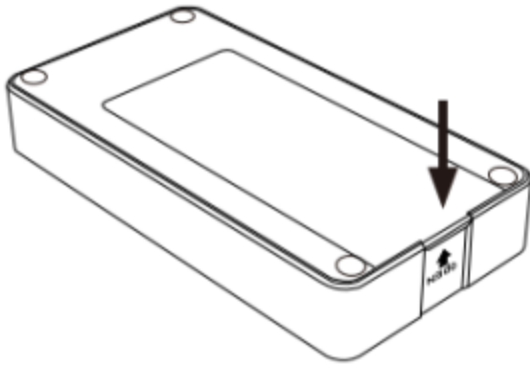
2. Insert the SSD into the corresponding slot.



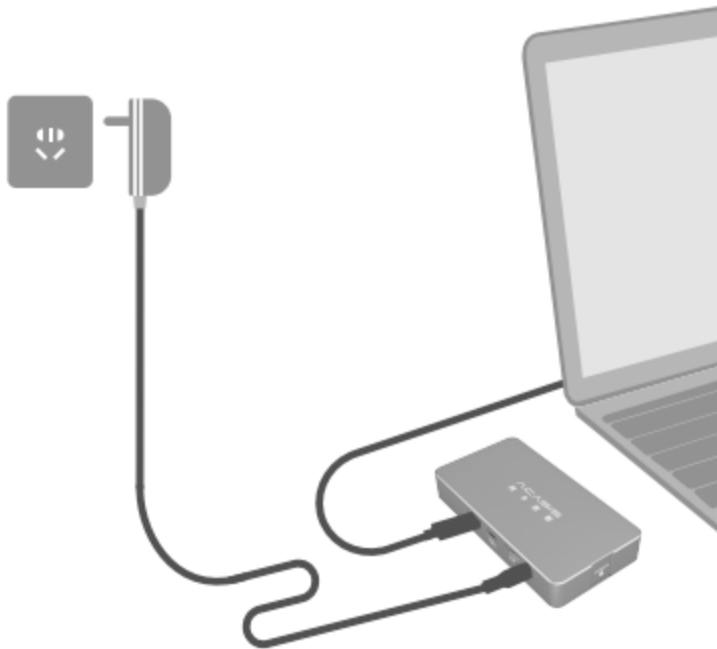
3. Clamp the fixed rubber plug at the end of the SSD, insert it into the corresponding hole, and fix the SSD.



4. Press the bottom case back, and the hard disk installation is complete.



### Connection Demonstration



1. Insert the hard drive into the hard drive slot.
2. Plug in the power adapter.
3. Connect the USB cable to the computer.
4. Turn on the power switch and start using.