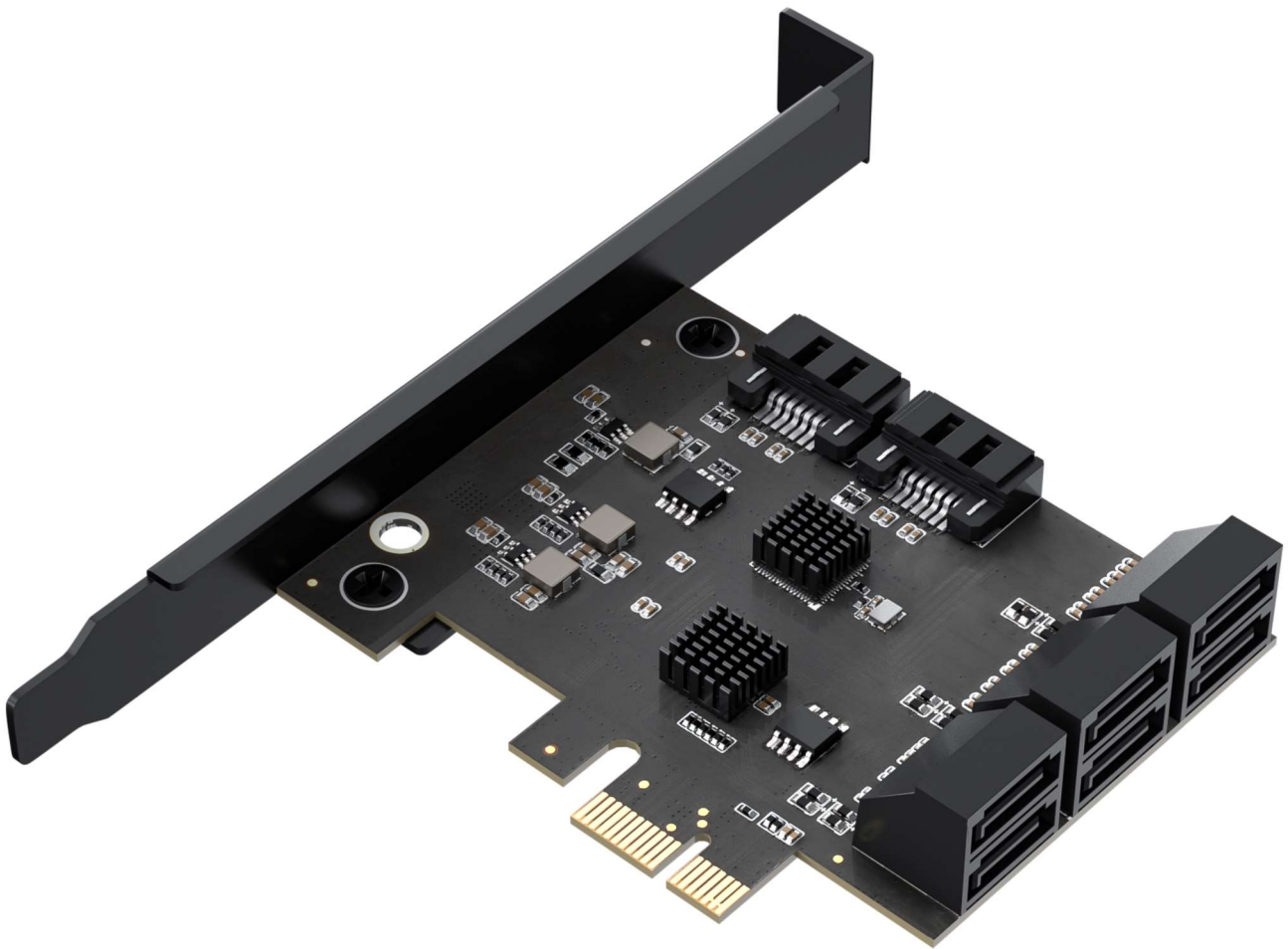


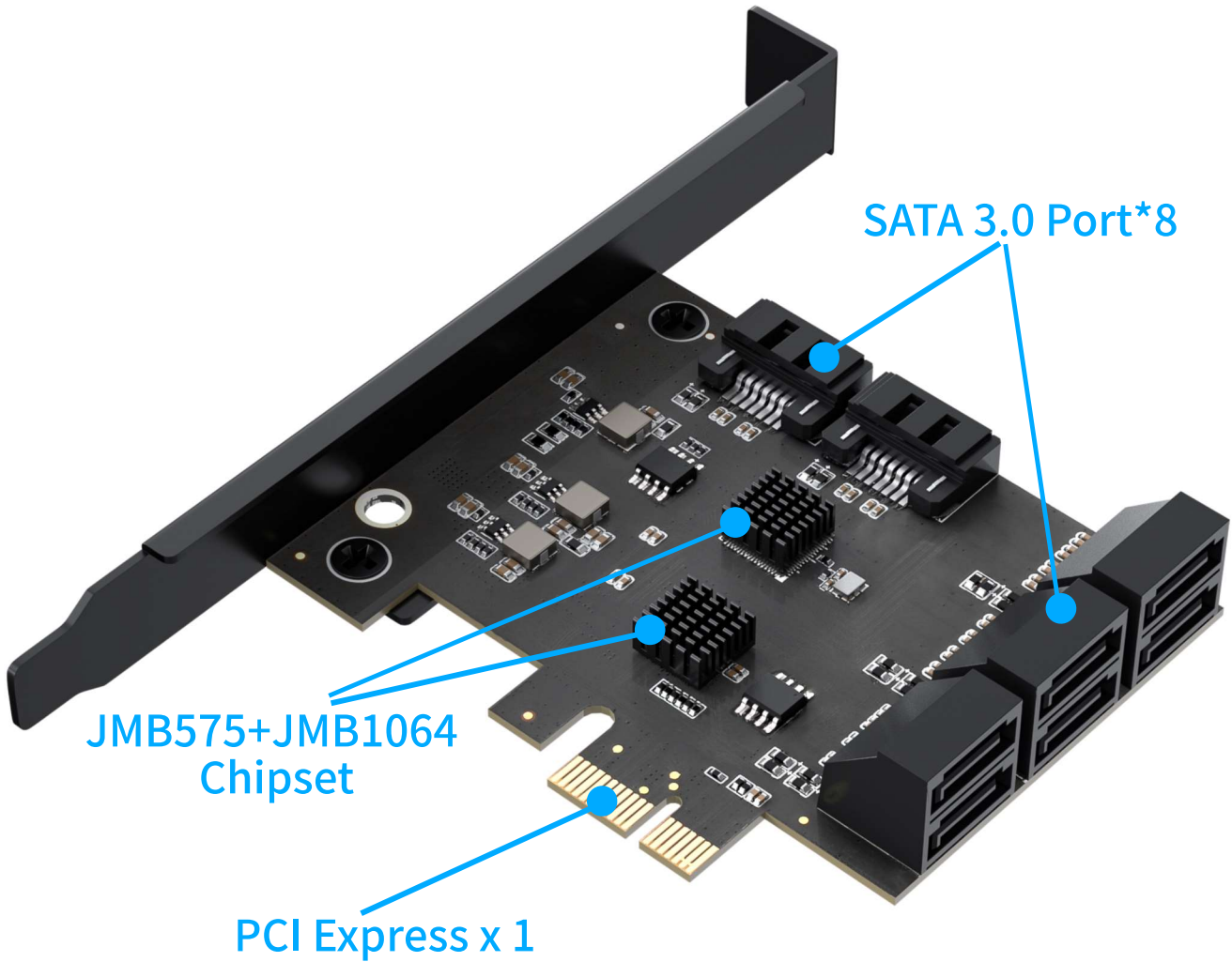
ACASIS



PCIe 8-Port SATA III Controller Expansion Card




AC-PE012
User Manual

Product Introduction



PCIE X 1  

PCIE X 4  

PCIE X 8  

PCIE X 16  

Supports 4 Soft RAID Mode:

RAID1(SAFE Mode): In this mode, the two hard disks mirror each other and backup each other, with the same data. If one of the hard disks is damaged, you just need to remove the failed hard disk and replace it with a hard disk with the same or larger capacity. The data can be recovered automatically without losing data.

AHCI1(PM Mode): In this mode, the data stored in each separate hard disk does not interfere with each other, and each disk is an independent body. If several hard disks are inserted, several hard disks will be displayed.

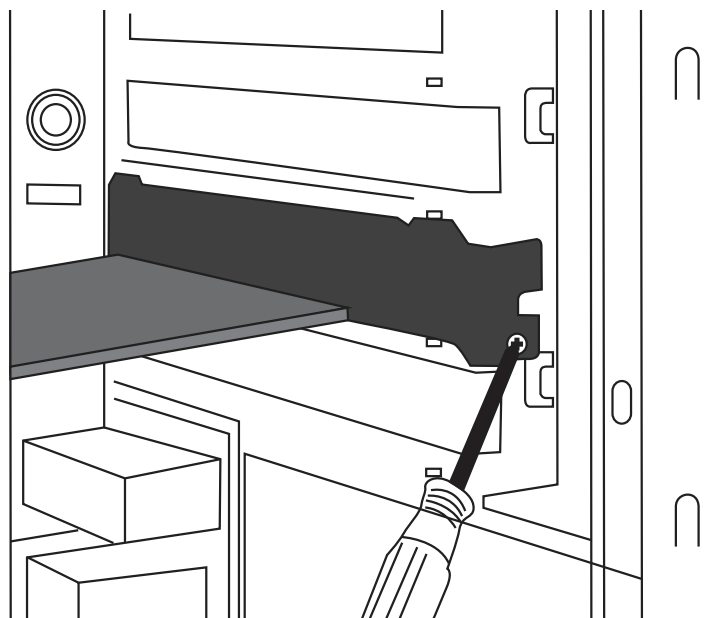
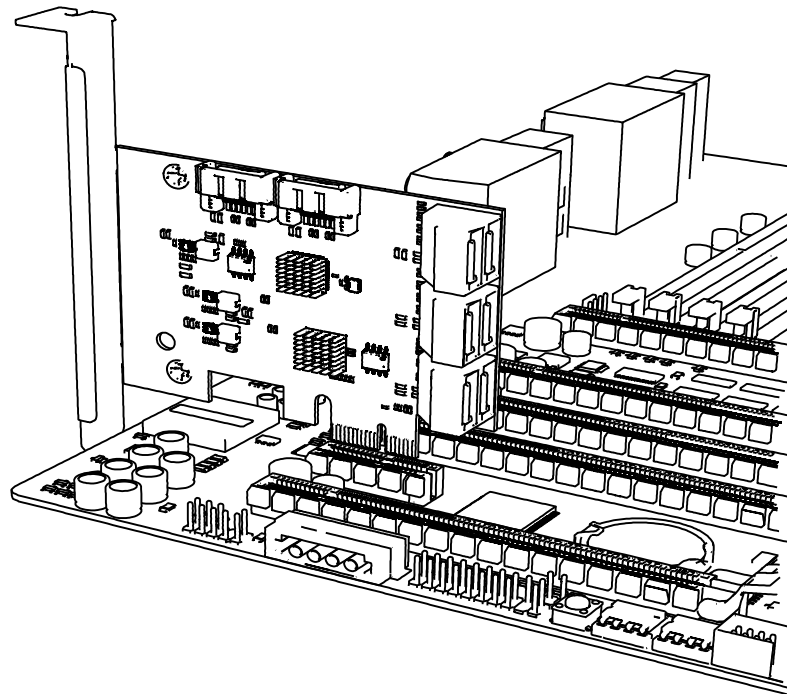
SPAN(BIG Mode): In this mode, the capacity is the largest disk of all hard disks, and the data will be stored on different disks. The disadvantage is that if the hard disk is damaged, the data will be lost and will not be retrieved.

RAIDO(FAST Mode): In this mode, data will be stored on multiple hard disks to form a whole, but the capacity is based on the capacity of the smallest disk multiplied by the number of disks inserted, the theoretical transmission speed is twice that of a single disk.

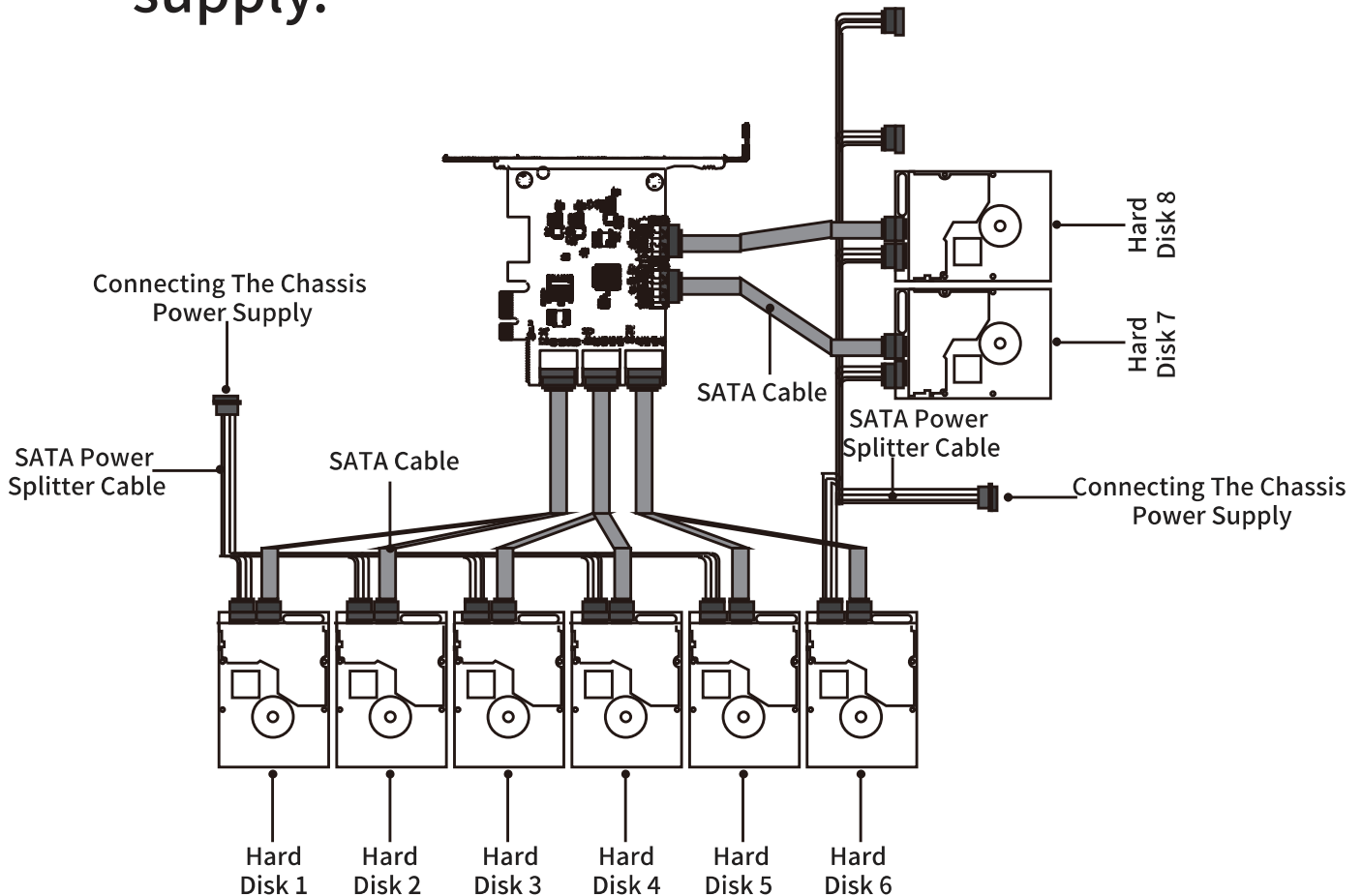
Installation Steps

 **Notice:** Before installing the SATA controller expansion card, please turn off the computer and disconnect the power.

1. Insert the PCIe 8 port SATA 3.0 controller expansion card into the PCIe X1 / X4 / X8 / X16 card slot of the host computer, and then fix it with screws to the position of the chassis stopper.



2. Connect the hard disk with the expansion card by the SATA cable, plug the hard disk into the SATA power splitter cable for power supply.



3. Reconnect all the power cables to start up the computer, then install the ACASIS PCIe 8-port SATA expansion card driver. Please download the driver from ACASIS website: www.acasis.com

Product Specification

Brand	ACASIS
Product Name	SATA 3.0 Controller Expansion Card
Mode	AC-PE012
Color	Black
Input Interface	PCI-Express X 1
Output Interface	SATA 3.0
Power Supply	No additional power supply required
Transfer Speed	6Gbps
Card Slot Support	PCI-E X1 / X4 / X8 / X16 card slot
Package Contents	1 * 8 Ports SATA 3.0 expansion card 2 * SATA power splitter cable 8 * SATA cable 1 * User manual

If you need help, please feel free to contact us.

Technical Support Email: support@acasis.com

www.acasis.com

