

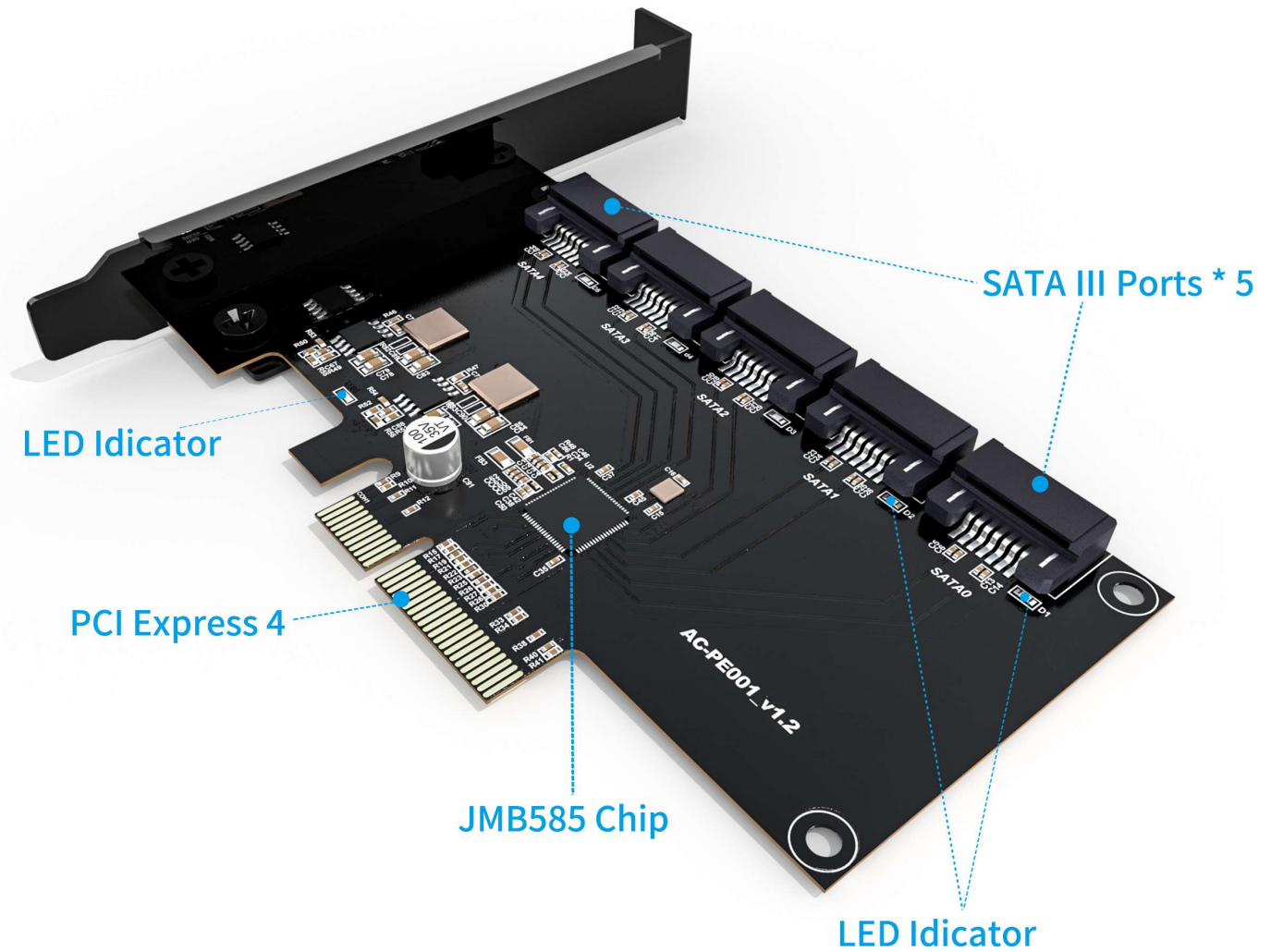
ACASIS

PCIe 5 Port SATA III Controller Expansion Card



AC-PE001
User Manual

Product Introduction



PCIE X 1



PCIE X 4



PCIE X 8



PCIE X 16

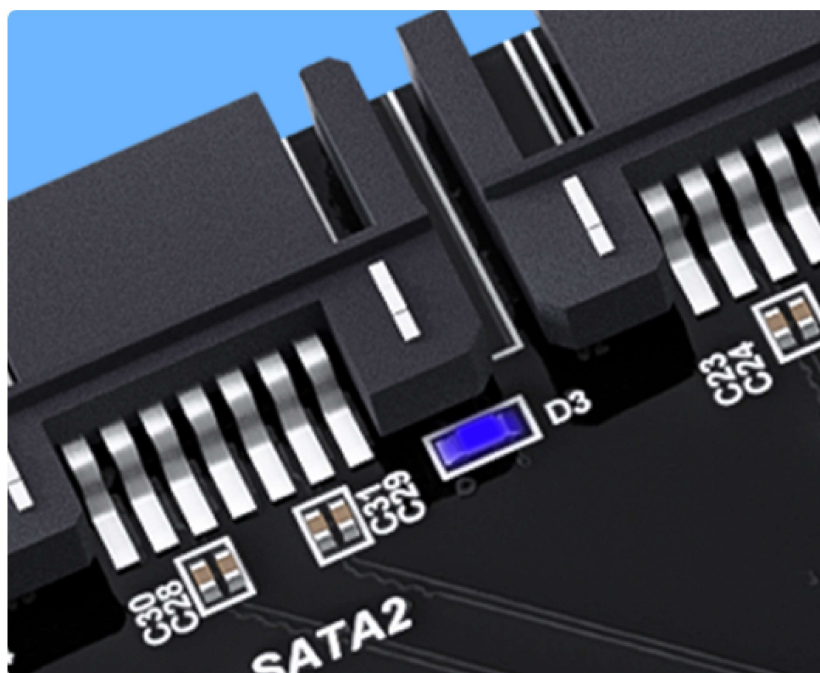
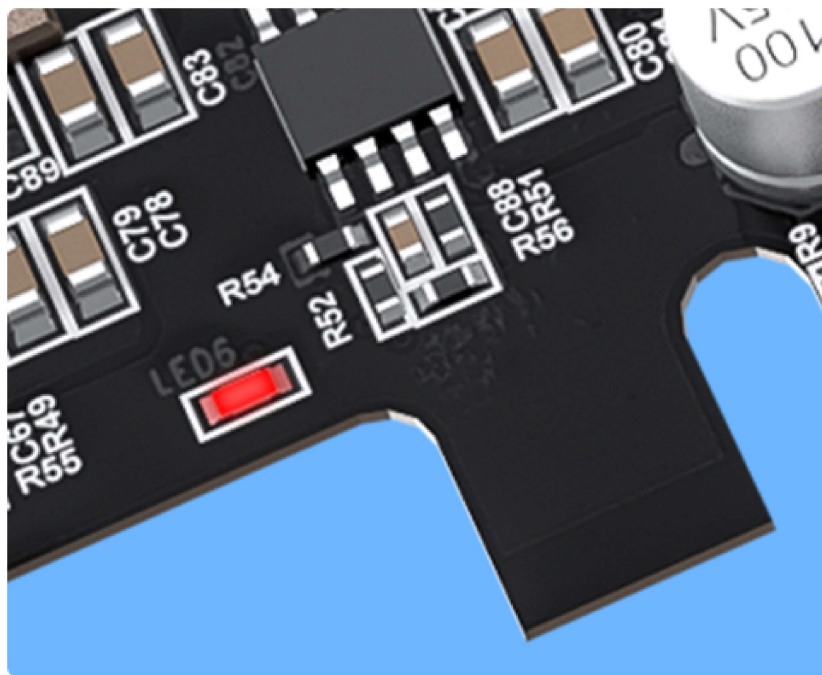


LED Indicator Monitor Running Status

Red LED ON: Power on

Blue LED ON: Hard disk is connected and powered

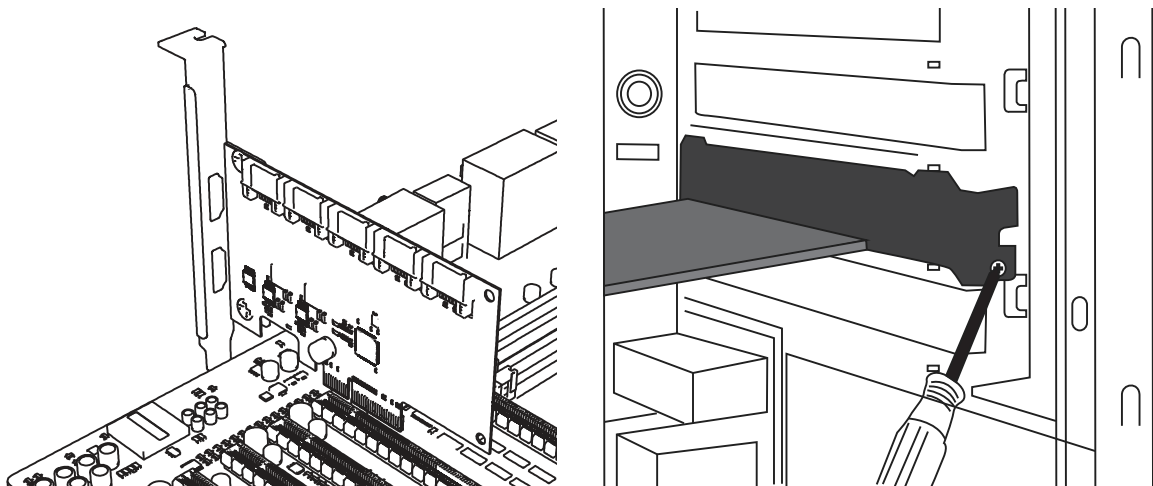
Blue LED Flash: Read/Write Data



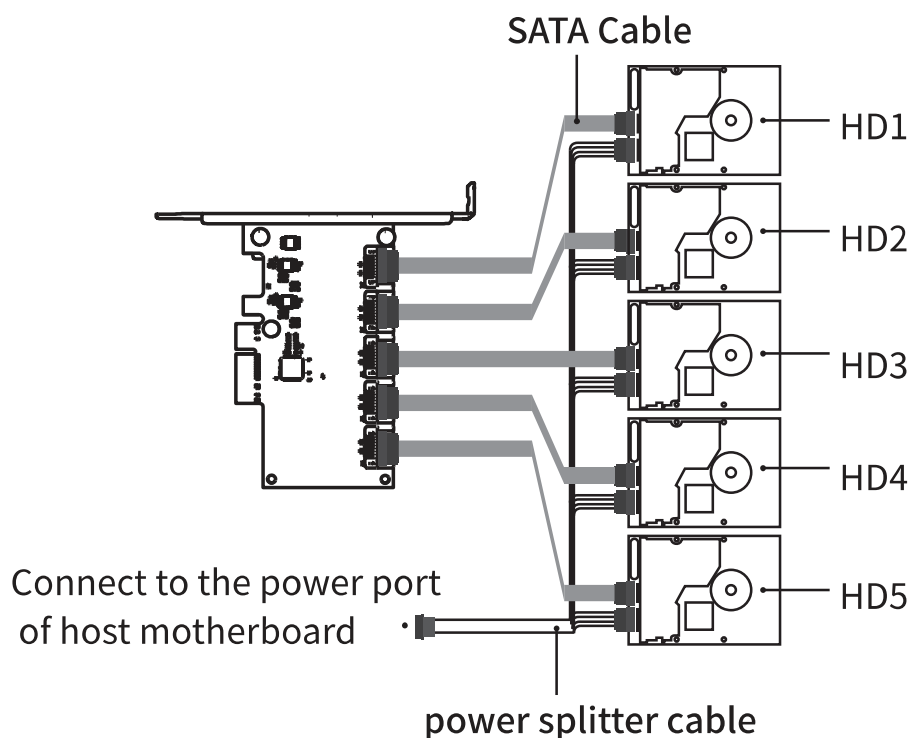
Installation and Operation Instructions

Notice: Before installing the SATA controller expansion card, please turn off the computer and disconnect the power.

1. Insert the PCIe 5 port SATA 3.0 controller expansion card into the PCEX4/X8/X16X card slot of the host computer, and then fix it to the computer chassis with accessory screws.



2. Connect the hard disk with the expansion card by the SATA cable, and connect the hard disk with the SATA power splitter cable for power supply.



Please download the driver from ACASIS website:

<http://www.acasis.com/>

Specification

Brand	ACASIS
Product Name	PCIe 5 Port SATA III Controller Expansion Card
Mode	AC-PE001
Color	Black
Size	120*116*18mm
Input Interface	PCI-Express X 4
Output Interface	SATA 3.0
Power Supply	No additional power supply required
Transfer Speed	6 Gbps
Card Slot Support	PCI-E X4/x8/x16 card slot
Package Contents	1 * 5 Ports SATA 3.0 expansion card 1 * SATA power splitter cable 5 * SATA cable 1 * user manual

If you need help, please feel free to contact us.

Technical Support Email: support@acasis.com
www.acasis.com

