



Main

| | |
|---------------------------|---------------------------------|
| Range of product | Modicon X80 |
| Product or component type | Discrete output module |
| Discrete output number | 16 conforming to EN/IEC 61131-2 |
| Discrete output type | Solid state |
| Discrete output logic | Positive |
| Discrete output voltage | 24 V 19...30 V DC |
| Discrete output current | 0.5 A |

Complementary

| | |
|---------------------------------|--|
| Current per channel | 0.625 A |
| Maximum current per module | 10 A |
| Maximum leakage current | 0.5 mA at state 0 |
| Maximum voltage drop | <1.2 V at state 1 |
| Insulation resistance | > 10 MOhm 500 V DC |
| Power dissipation in W | 4 W |
| Response time on output | 1.2 ms |
| Paralleling of outputs | Yes : 2 maximum |
| Typical current consumption | 79 mA at 3.3 V DC |
| MTBF reliability | 410000 H |
| Protection type | External fuse reverse polarity protection Short-circuit protection Overload protection Overvoltage protection |
| Output overload protection | With electronic circuit breaker $1.5 I_n < I_d < 2 I_n$ With current limiter |
| Output overvoltage protection | With transil diode |
| Output short-circuit protection | With 2 A external fuse |
| Reverse polarity protection | Reverse mounted diode |
| Voltage detection threshold | < 14 V DC preactuator fault > 18 V DC preactuator at state 0 |
| Maximum tungsten load | 6 W |
| Switching frequency | 0.5/LI ² Hz |
| Load impedance ohmic | > 48 Ohm |
| Status LED | 1 LED (green) module operating (RUN) 1 LED per channel (green) channel diagnostic 1 LED (red) module error (ERR) 1 LED (red) module I/O |
| Net weight | 0.12 kg |

The information provided in this documentation contains general descriptions and/or technical characteristics of the performance of the products contained herein. This documentation is not intended as a substitute for and is not to be used for determining suitability or reliability of these products for specific user applications. It is the duty of any such user or integrator to perform the appropriate and complete risk analysis, evaluation and testing of the products with respect to the relevant specific application or use thereof. Neither Schneider Electric Industries SAS nor any of its affiliates or subsidiaries shall be responsible or liable for misuse of the information contained herein.

Environment

| | |
|---------------------------------------|--|
| IP degree of protection | IP20 |
| Directives | 2014/35/EU - low voltage directive 2014/30/EU - electromagnetic compatibility |
| Dielectric strength | 1500 V AC at 50/60 Hz 1 minute, output/ground 1500 V AC at 50/60 Hz 1 minute, output/internal logic |
| Vibration resistance | 3 gn |
| Shock resistance | 30 gn |
| Ambient air temperature for storage | -40...85 °C |
| Ambient air temperature for operation | 0...60 °C |
| Relative humidity | 5...95 % at 55 °C without condensation |
| Operating altitude | 0...2000 m 2000...5000 m with derating factor |

Packing Units

| | |
|------------------------------|-----------|
| Unit Type of Package 1 | PCE |
| Number of Units in Package 1 | 1 |
| Package 1 Height | 5.56 cm |
| Package 1 Width | 11.096 cm |
| Package 1 Length | 11.759 cm |
| Package 1 Weight | 160.0 g |
| Unit Type of Package 2 | S02 |
| Number of Units in Package 2 | 15 |
| Package 2 Height | 15 cm |
| Package 2 Width | 30 cm |
| Package 2 Length | 40 cm |
| Package 2 Weight | 3.04 kg |
| Unit Type of Package 3 | P06 |
| Number of Units in Package 3 | 240 |
| Package 3 Height | 75.0 cm |
| Package 3 Width | 60.0 cm |
| Package 3 Length | 80.0 cm |
| Package 3 Weight | 59 kg |

Offer Sustainability

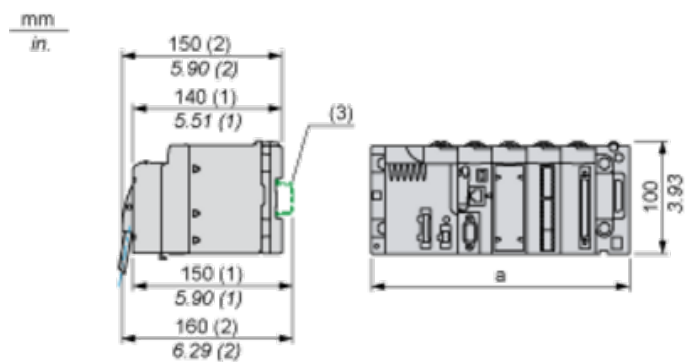
| | |
|----------------------------|---|
| Sustainable offer status | Green Premium product |
| REACH Regulation | REACH Declaration |
| EU RoHS Directive | Pro-active compliance (Product out of EU RoHS legal scope) |
| Mercury free | Yes |
| China RoHS Regulation | China RoHS Declaration |
| RoHS exemption information | Yes |
| Environmental Disclosure | Product Environmental Profile |
| Circularity Profile | End Of Life Information |
| WEEE | The product must be disposed on European Union markets following specific waste collection and never end up in rubbish bins |
| California proposition 65 | WARNING: This product can expose you to chemicals including: Lead and lead compounds, which is known to the State of California to cause cancer and birth defects or other reproductive harm. For more information go to www.P65Warnings.ca.gov |

Contractual warranty

| | |
|----------|-----------|
| Warranty | 18 months |
|----------|-----------|

Modules Mounted on Racks

Dimensions



(1) With removable terminal block (cage, screw or spring).

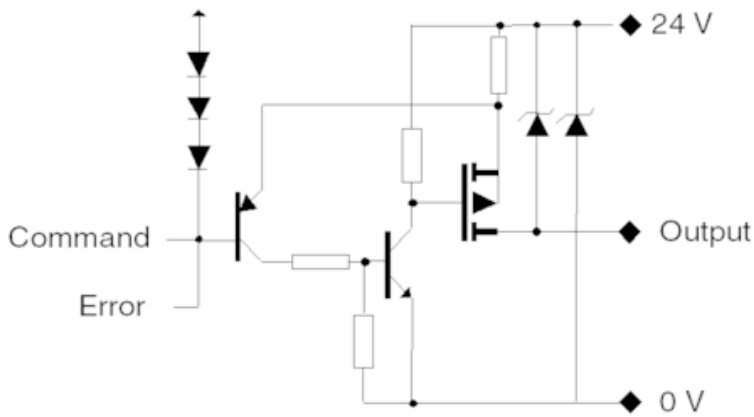
(2) With FCN connector.

(3) On AM1 ED rail: 35 mm wide, 15 mm deep. Only possible with BMXXBP0400/0400H/0600/0600H/0800/0800H rack.

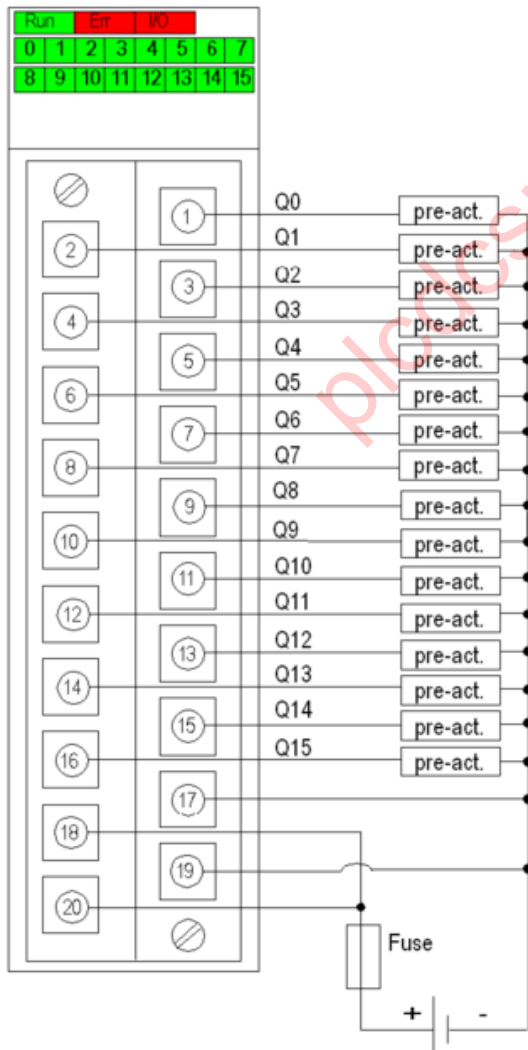
| Rack references | a in mm | a in in. |
|----------------------------|---------|----------|
| BMXXBP0400 and BMXXBP0400H | 242.4 | 09.54 |
| BMXXBP0600 and BMXXBP0600H | 307.6 | 12.11 |
| BMXXBP0800 and BMXXBP0800H | 372.8 | 14.68 |
| BMXXBP1200 and BMXXBP1200H | 503.2 | 19.81 |

Connecting the Module

Output Circuit Diagram



Module Connection



power supply 24 VDC
fuse fast blow fuse of 6.3 A
pre-act pre-actuator

plcdcspro@cambia.cn