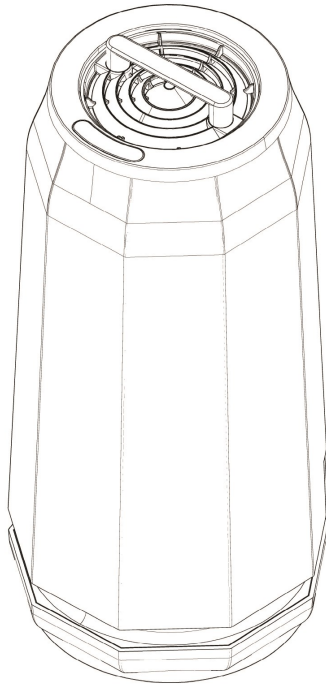


..puraclenz™

P750 | P1500 | P3000



USER GUIDE

QUESTIONS OR FOR MORE INFORMATION

Please visit www.puraclenz.com/support for instructions, tips and more.

Call our Product Support Line at 1-833-360-PURA

or email us at support@puraclenz.com

READ AND SAVE THESE INSTRUCTIONS

(Version P-US001)

Important Safety Instructions

BEFORE USING THIS MACHINE READ ALL INSTRUCTIONS AND CAUTIONARY MARKINGS IN THIS USER GUIDE AND ON THE MACHINE.

When using an electrical machine, basic precautions should always be followed including the following:

WARNING: These warnings apply to the machine, and also where applicable, to all accessories, lamps, filters or mains adapters.

TO REDUCE THE RISK OF FIRE, ELECTRICAL SHOCK, OR INJURY:

1. This Puraclenz™ machine is not intended for use by persons (including children) with reduced physical, sensory or reasoning capabilities, or lack of experience and knowledge, unless they have been given supervision or instruction concerning use of the machine by a person responsible for their safety.
2. Ensure machine is fully assembled in line with the instructions before use. Do not dismantle the machine.
3. Do not allow to be used as a toy. Close attention is necessary when used by or near children. Children should be supervised to ensure that they do not play with the machine.
4. Use only as described in this User Guide. Do not carry out any maintenance other than that shown in this manual, or advised by Puraclenz™ Product Support.
5. Suitable for dry location ONLY. Do not use outdoors and do not expose to water or rain.
6. Do not handle any part of the plug or machine with wet hands.
7. Do not operate any machine with a damaged cord or plug. Discard the machine or return to an authorized service facility for examination and/or repair. If the supply cord is damaged it must be replaced by Puraclenz™, its service agent or similarly qualified person in order to avoid a hazard.
8. If the machine is not working as it should, has received a sharp blow, has been dropped, damaged, left outdoors, or dropped into water, do not use and contact the Puraclenz™ Helpline.
9. Do not stretch the cord or place the cord under strain. Keep cord away from heated surfaces.
10. Do not run cord under carpeting. Do not cover cord with throw rugs, runners or similar coverings. Do not route cord under furniture or appliances. Arrange cord away from traffic area and where it will not be tripped over.
11. Do not unplug by pulling on the cord. To unplug, grasp the plug, not the cord. The use of an extension cord is not recommended.
12. Do not put any object into openings or the inlet grill. Do not use with any opening blocked; keep free of dust, lint, hair, and anything that may reduce airflow.
13. Clean the machine with a wet cloth only. Do not use any cleaning agents or lubricants on this machine. Unplug before cleaning or carrying out any maintenance.
14. Always carry the machine by the base, do not carry it by the top cover handle.
15. Unplug from outlet when not in use for extended periods. To avoid a tripping hazard, safely coil the cord.
16. Do not use near furnaces, fireplaces, stoves or other high temperature heat sources.
17. Do not use in conjunction with or directly next to an air freshener or similar products. Keep essential oils and chemicals away from the appliance.

CAUTION: Changes or modifications not expressly approved by Puraclenz™ could void the user's authority to operate the equipment. **WARNING:** To reduce the risk of fire or electric shock, do not use this fan with any solid state speed control device.

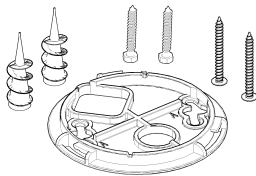
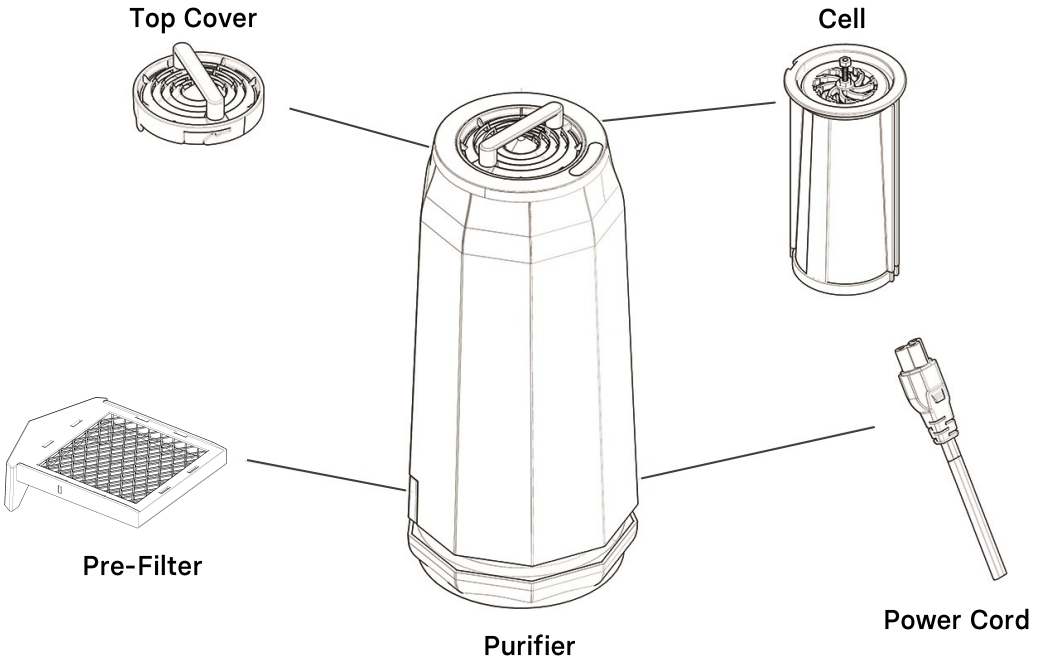
THIS MACHINE IS INTENDED FOR INDOOR USE ONLY.

NOTE: This equipment has been tested and found to comply with the limits for a Class B digital device, pursuant to Part 15 of the FCC Rules. These limits are designed to provide reasonable protection against harmful interference in a residential installation. This equipment generates, uses and can radiate radio frequency energy and, if not installed and used in accordance with the instructions, may cause harmful interference to radio communications. However, there is no guarantee that interference will not occur in a particular installation. If this equipment does cause harmful interference to radio or television reception, which can be determined by turning the equipment off and on, the user is encouraged to try to correct the interference by one or more of the following measures:

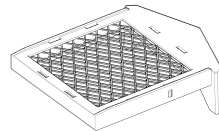
- Reorient or relocate the receiving antenna.
- Increase the separation between the equipment and receiver.
- Connect the equipment into an outlet on a circuit different from that to which the receiver is connected.
- Consult the dealer or an experienced radio/TV technician for help.

This device complies with Part 15 of the FCC Rules. Operation is subject to the following two conditions: (1) this device may not cause harmful interference, and (2) this device must accept any interference received, including interference that may cause undesired operation.

In the Box



Bottom Plate
2 Machine Screws
2 Coarse Screws
2 Anchors



Extra Pre-Filter



User Guide, 2 Stickers, Warranty Card

Operation and Placement

For best results:

1. To assist you in placing your Purifier unit, please scan the QR code to view the Installation Guide that provides instructions, tips and more.
2. The Purifier unit should be placed in a central location and always stay connected to electric power. Do not connect power cord to a switched outlet or automatic timer that can stop continuous use.
3. The Purifier unit is designed to operate 24/7 for continuous coverage. During normal operation you will hear the fan running and green light will be on.
4. Set room temperature thermostat to 72°F (22°C) or higher. If possible, maintain 40–70% relative humidity. Keep windows closed for best results.
5. Ions can travel long distances, but cannot move through walls and move very slowly through cracks under closed doors. Choose a central location.
6. In spaces with ceilings over 12 feet, place your Purifier unit no higher than 10 feet off the floor.

SCAN for
Installation Guide



Display Icons



Green Power On

Normal Operation



Green Power & Red Cell On

**Reduced Operation
and Order Cell**



Red Cell On

**Replace Cell
Unit Not Working**



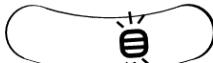
Red Cell Flashing

**Top Cover Open
Unit Not Working**



Green Power & Red Pre-Filter On

**Normal Operation
and Order Pre-Filter**



Red Pre-Filter Flashing

**Pre-Filter Open
Unit Not Working**



Red Pre-Filter On

**Change Pre-Filter
Unit Not Working**



Red Service On

**Call for Service
Unit Not Working**



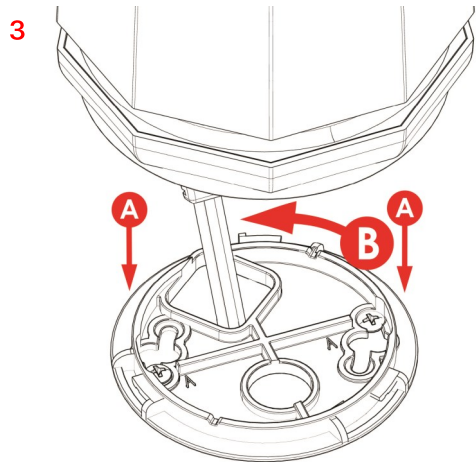
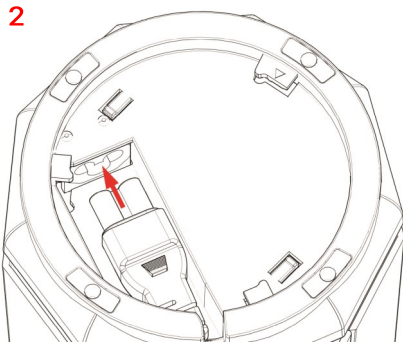
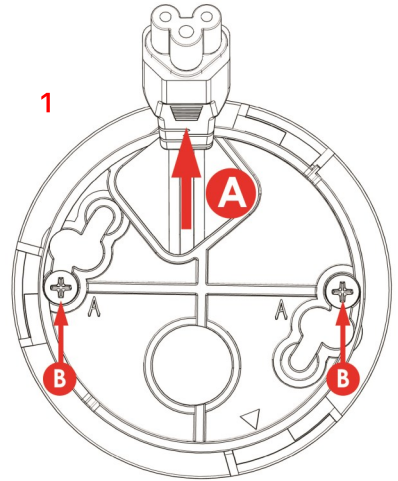
All Lights Off

No Power

Installation Instructions

For ceiling or wall installations:

1. Pull the power cord connector through the rectangular hole in the mounting bracket (A). Secure the mounting bracket to the wall or ceiling using the screws positioned in the small ends of the keyholes before tightening the screws (B). See **Diagram 1**.
2. Plug in power cord connector into receptacle on bottom of Purifier unit. See **Diagram 2**.
3. Install the Purifier unit on the mounting bracket (A) and rotate Purifier unit in the counter clockwise direction (B) until you hear an audible click sound. See **Diagram 3**.
4. If an electrical outlet is not available or cannot be used: Unplug the power cord from the Purifier unit and have a certified electrician perform the connection.
5. For drop ceiling installation: Always have a certified electrician perform the installation by securely attaching mounting bracket to drop-tile ceiling rail.



For table top installations:

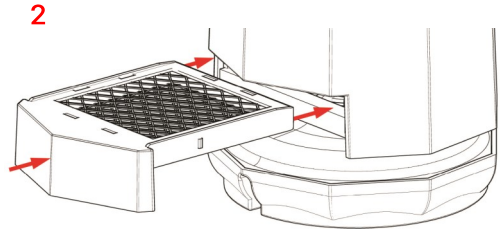
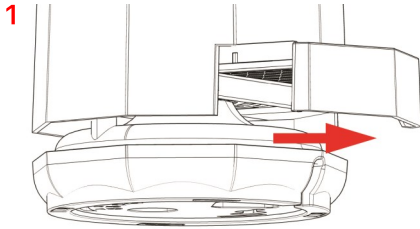
1. Place Purifier unit in desired installation location.
2. Plug into electrical outlet and Purifier unit will automatically start purifying.

Maintenance Instructions

Change Pre-Filter

1. Slide out the old filter and discard. See **Diagram 1**.
2. Slide in new Pre-Filter Model#R0001 to automatically resume normal operation. See **Diagram 2**.

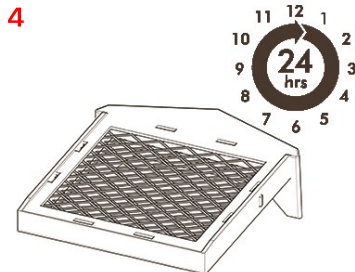
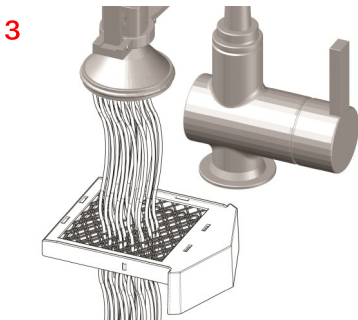
SCAN for
Change Pre-Filter
Video Instructions



Wash Pre-Filter

For best results, it is recommended to always to use a brand new Pre-Filter.

1. Slide out the dirty filter and set aside. See **Diagram 1**.
2. Slide in new or clean Pre-Filter Model#R0001 to automatically resume normal operation. See **Diagram 2**.
3. Spray water into dirty Pre-Filter to clean off all debris. See **Diagram 3**.
4. Shake excess water off Pre-Filter and let it dry overnight. Never install a wet Pre-Filter into the Purifier unit. See **Diagram 4**.



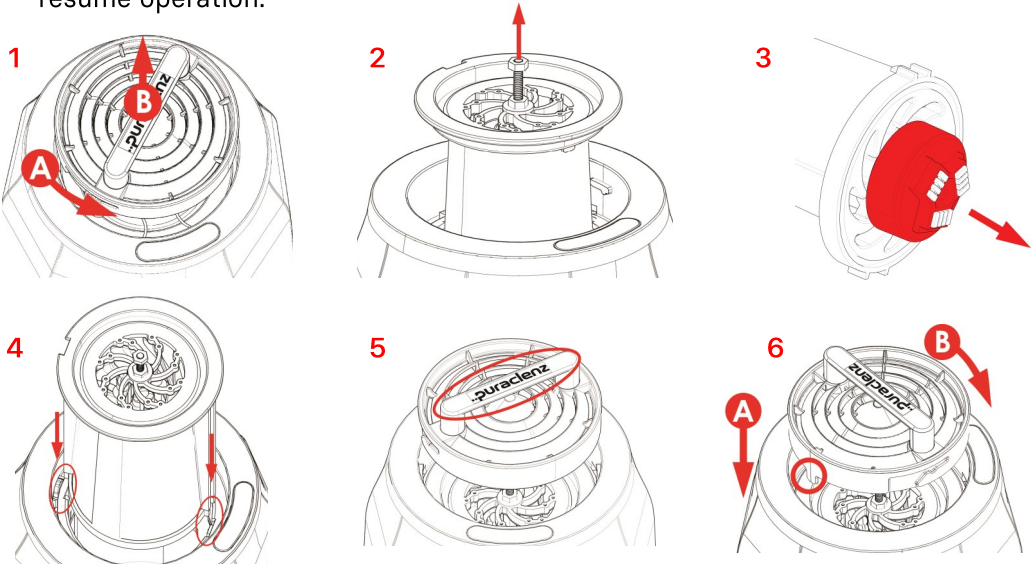
Maintenance Instructions

Replacing Cell

Disconnect power before doing any work to your Purifier unit.

1. Turn Top Cover counterclockwise (A) and remove (B).
Note: if your Purifier unit is ceiling or wall mounted, be careful not to allow the Cell to fall out when removing the Top Cover.
2. Use your fingers or pliers to slide out old Cell from Purifier unit and discard.
3. Remove Red Cap from bottom of new Cell (Model#R0002).
4. Slide in new Cell into Purifier unit by aligning keyholes.
5. Align the Top Cover with Puraclenz™ logo 30° counterclockwise to the front of the Purifier unit as highlighted in **Diagram 5**. Then place the Top Cover into Purifier as highlighted in **Diagram 6 (A)**. Twist the Top Cover clockwise (B) until you hear an audible click from the safety latch (highlighted) to automatically resume operation.

SCAN for
Replace Cell
Video Instructions



WARNING: Skin or eye damage may result from directly viewing the light produced by the lamps in the Cell apparatus. Always disconnect power before relamping or servicing.

Replace Cell with Puraclenz™ Model#R0002.

IMPORTANT: To prevent injury or damage for all ceiling and wall installations, when removing Top Cover take care not to allow Cell to fall out.

Troubleshooting

Normal Operation



Green Power On

This shows your Purifier unit is working correctly.

No Power



All Lights Off

1. Check Power Cord is firmly connected into receptacle on bottom of Purifier unit as shown by diagram 2 on page 5.
2. Verify there is power provided to the electrical outlet.
3. Ensure Power Cord is connected properly to electrical outlet.

Replace Cell



Red Cell On

This indicates that your Purifier unit has operated for enough hours that the Cell must be replaced. Follow Replace Cell instructions on page 7.

Top Cover Open



Red Cell Flashing

Twist your Top Cover firmly in the clockwise direction until you hear an audible click sound. See diagram 5 on page 7.

Order Cell



Green Power & Red Cell On

This indicates your Purifier unit has reduced operation and you need to replace your Cell. Order a new model #R0002 Cell. If your Cell is still under warranty, contact Puraclenz support.

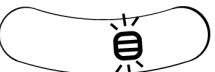
Order Pre-Filter



Green Power & Red Pre-Filter On

This indicates your Purifier unit is in good, working order, but your Pre-Filter is nearing the end of its operating lifespan. Order a new model #R0001 Pre-Filter.

Pre-Filter Open



Red Pre-Filter Flashing

1. Press Pre-Filter firmly inside Purifier unit for correct fit until you hear an audible click sound.
2. Check the Pre-Filter is installed correctly as shown by diagram 2 on page 6.

Change Pre-Filter



Red Pre-Filter On

Either change or wash Pre-Filter following instructions on page 6.

Call for Service



Red Service On

If the service light is on, contact Puraclenz™ support for assistance at 1-833-360-PURA or support@puraclenz.com.