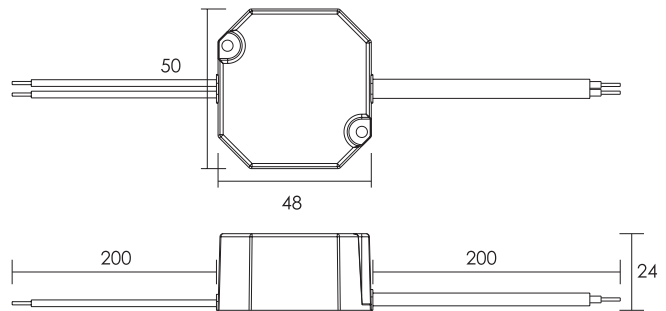


Mini Series Constant Voltage LED Driver

Features:

- Super compact design
- Driver for built-in use
- Primary and secondary sides come with leads
- Protections: opencircuit, shortcircuit, overload, overtemperature
- Simple installation
- SELV class II output
- IP65



Parameters:

Model No.	Input voltage	Max. output	Output voltage	Output current	Power factor	Efficiency full load	No-load power	Ambient temperature	Max. casing temperature	Isolation	Dimensions LxWxH	Weight
MINI24V/12W	220-240	12	24	0-0.5	0.95	82	<0.5	-20...+50	80	SELV	50x48x24	92