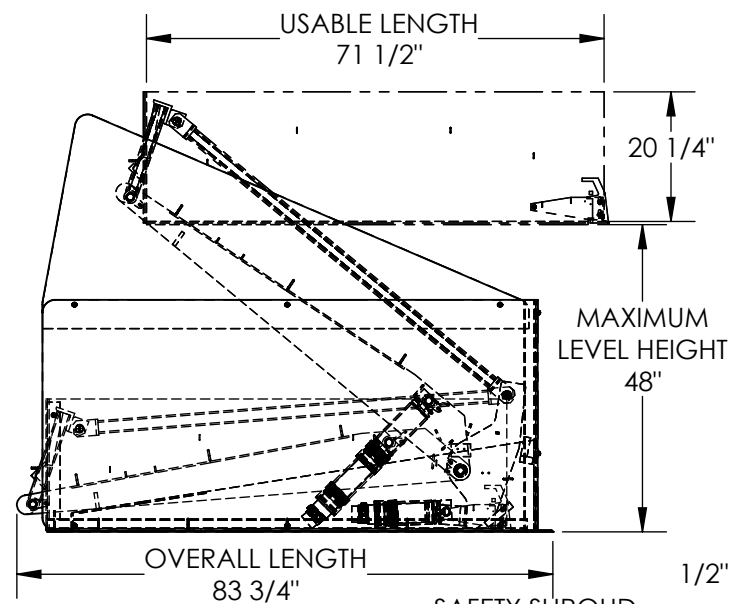
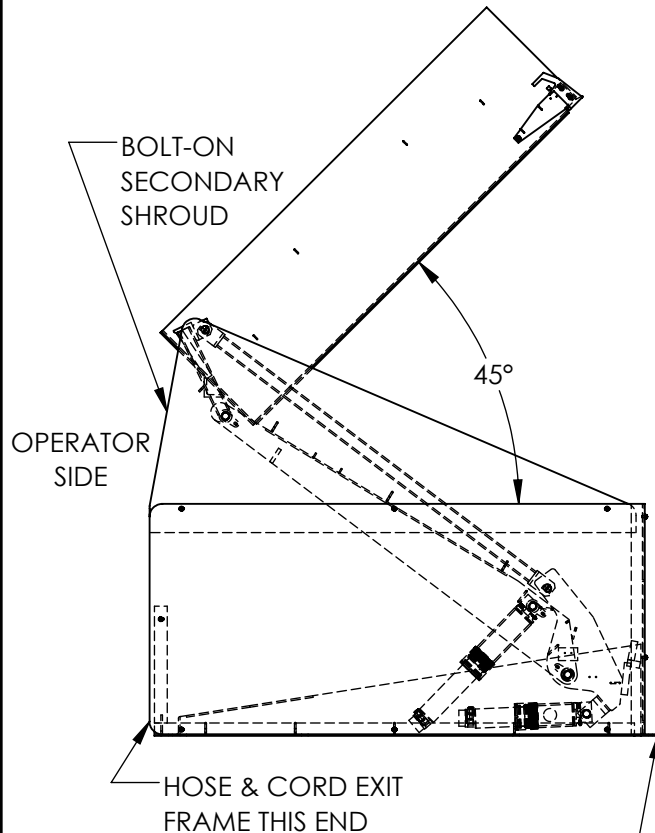


ZERO LIFT & TILT TABLE - ZLTT-5272-4-48

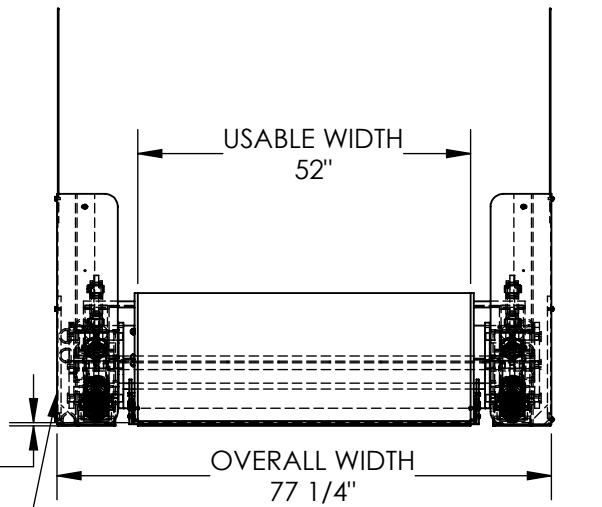
APPROX WEIGHT: 2776 lbs.
 DOES NOT INCLUDE WEIGHT OF POWER OR PACKAGING!!!

*** ANY ADDITIONS, DELETIONS, OR OMISSIONS MUST BE CORRECTED ON THIS DRAWING AS THIS DRAWING WILL BE CONSIDERED ALL INCLUSIVE ***

ALL GRAPHICS PROVIDED ARE FOR REFERENCE ONLY. IF CERTAIN DIMENSIONS ARE CRITICAL PLEASE VERIFY THOSE DIMENSIONS WITH YOUR SALESPERSON



DECK TOLERANCES $\pm 1/2$ "
 TABLE HEIGHT TOLERANCES $\pm 1/2$ "
 DECK FLATNESS $\pm 1/4$ "

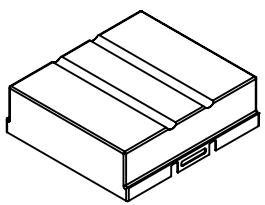


STANDARD FEATURES

- MODEL NUMBER IS ZLTT-5272-4-48
- USABLE WIDTH IS 52"
- USABLE LENGTH IS 71 1/2"
- CAPACITY IS 4,000 LBS (EVENLY DISTRIBUTED)
- LOWERED HEIGHT IS 1/2"
- MAXIMUM LEVEL HEIGHT IS 48"
- MAXIMUM TILT ANGLE IS 45°
- OVERALL WIDTH IS 77 1/4"
- OVERALL LENGTH IS 83 3/4"
- CONTROL IS HANDHELD, 4 BUTTON, NEMA 4
- PENDANT WITH MINIMUM 8' USABLE COIL CORD
- DURABLE LIQUID PAINT BLUE FINISH
- EXTERNAL POWER UNIT

(4) ANCHORING LOCATIONS ON FRAME

REMOTE POWER UNIT
 24 1/2" x 22 1/2" x 7 1/2" (L x W x H)
 WITH 8' HOSE & CABLE



SAFETY SHROUD
 COVERS PINCH POINTS

DIMENSION TOLERANCE $\pm 1/4$ "

SPECIAL FEATURES

NONE

PLEASE CIRCLE SPECIFICATIONS:

POWER	<input checked="" type="checkbox"/> AC	<input type="checkbox"/> DC (12V)	<input type="checkbox"/> AIR/OIL
MOTOR VOLTAGE	<input type="checkbox"/> 115	<input type="checkbox"/> 208	<input checked="" type="checkbox"/> 230 460
DEDICATED CIRCUIT REQUIRED 60Hz			
MOTOR PHASE	<input type="checkbox"/> SINGLE	<input checked="" type="checkbox"/> THREE	
CONTROL	<input checked="" type="checkbox"/> HAND	<input type="checkbox"/> FOOT	

A P P R O V A L

I, THE UNDERSIGNED, AGREE THAT THE PRODUCT AS REPRESENTED SATISFIES DESIGN AND DIMENSION REQUIREMENTS. I ALSO ACKNOWLEDGE MY DUTY TO CONFIRM PRODUCT AND INSTALLATION COMPLIANCE WITH ALL APPLICABLE FEDERAL, STATE AND LOCAL REGULATIONS AND STANDARDS.

UNITS REQUIRING APPROVAL DRAWINGS OR MODIFIED ARE NON-RETURNABLE

As drawn As marked

Signed: _____ Date: _____

Printed Name: _____

LEAD TIME WILL START UPON RECEIPT OF SIGNED APPROVAL DRAWING

DISTRIBUTOR'S NAME:		P.O.#
VESTIL MANUFACTURING		X
DRAWN BY: KGH		W.O.#
DATE: 1/22/2019		X
REFERENCE: X	SCALE: 1:30	SALES: X
QUOTED LEAD TIME: X	QUOTE #	FILE NAME:
	X	04-007-034-001