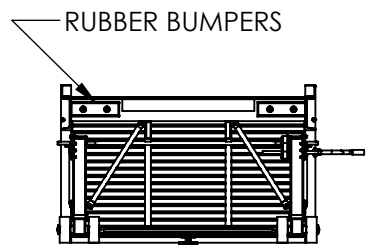
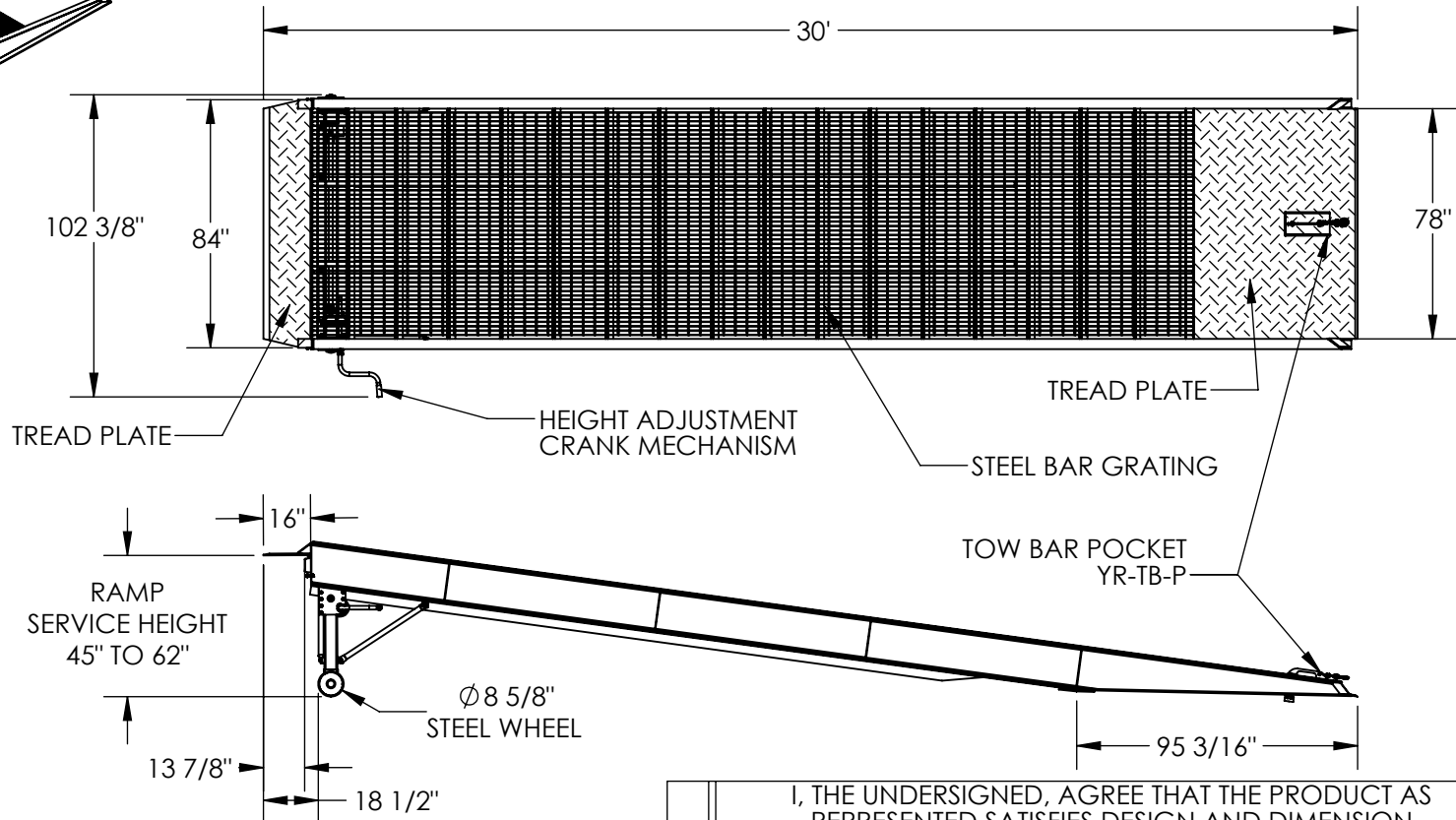
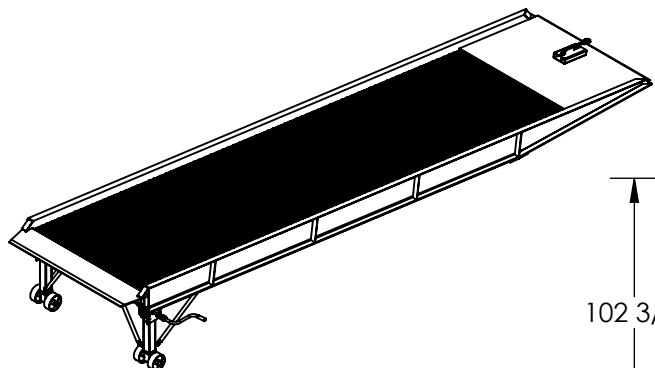


# STEEL YARD RAMP - YR-30-8530

APPROX WEIGHT: 6214.06 lbs.  
 DOES NOT INCLUDE WEIGHT OF POWER OR PACKAGING!!!

\*\*\* ANY ADDITIONS, DELETIONS, OR OMISSIONS MUST BE CORRECTED ON THIS DRAWING AS THIS DRAWING WILL BE CONSIDERED ALL INCLUSIVE \*\*\*  
 ALL GRAPHICS PROVIDED ARE FOR REFERENCE ONLY. IF CERTAIN DIMENSIONS ARE CRITICAL PLEASE VERIFY THOSE DIMENSIONS WITH YOUR SALESPERSON



## STANDARD FEATURES

- MODEL NUMBER IS YR-30-8530
- OVERALL RAMP WIDTH IS 102 3/8"
- USABLE RAMP WIDTH IS 78"
- OVERALL LENGTH IS 370 1/2"
- RAMP SERVICE HEIGHT IS 45" TO 62"
- RAMP CAPACITY IS 30,000 LBS.
- 4" HIGH SAFETY CURBS WITH SLOPED ENDS
- SAFETY CHAIN STANDARD ( NOT SHOWN )
- OVERALL LIP SUPPORT EDGE IS 16"
- USABLE LIP SUPPORT EDGE IS 13 7/8"
- ø8 5/8" STEEL WHEELS
- INCLUDES TOW BAR POCKET, MODEL # YR-TB-P
- DURABLE LIQUID PAINT BROWN FINISH

## SPECIAL FEATURES

NONE

DIMENSION TOLERANCE ± 1"

APPROVAL	I, THE UNDERSIGNED, AGREE THAT THE PRODUCT AS REPRESENTED SATISFIES DESIGN AND DIMENSION REQUIREMENTS. I ALSO ACKNOWLEDGE MY DUTY TO CONFIRM PRODUCT AND INSTALLATION COMPLIANCE WITH ALL APPLICABLE FEDERAL, STATE AND LOCAL REGULATIONS AND STANDARDS.	
	<b>ANY MODIFIED UNITS ARE NON-RETURNABLE</b>	
	[ ] As drawn      [ ] As marked	
	Signed: _____	Date: _____
Printed Name: _____		
<i>LEAD TIME WILL START UPON RECEIPT OF SIGNED APPROVAL DRAWING</i>		

FOR INTERNAL USE ONLY PROJECT SIGN OFF	
SALES	
ENG.	
FAB.	
POWER	

DISTRIBUTOR'S NAME:		P.O.#
<b>VESTIL MANUFACTURING</b>		X
DRAWN BY: DLS	DATE: 12/8/2012	W.O.#
REFERENCE: X	SCALE: 1:64	X
QUOTED LEAD TIME: X	QUOTE #	FILE NAME:
	X	18-007-211