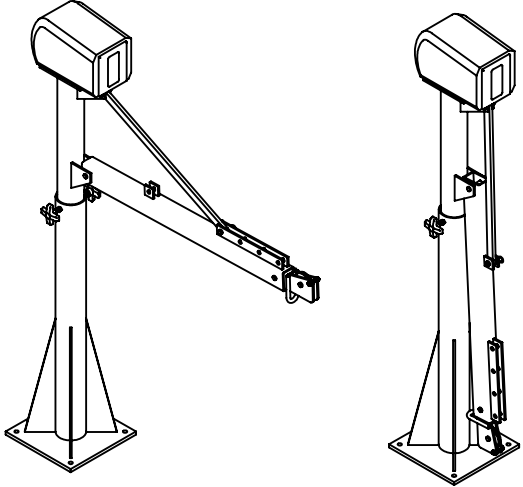
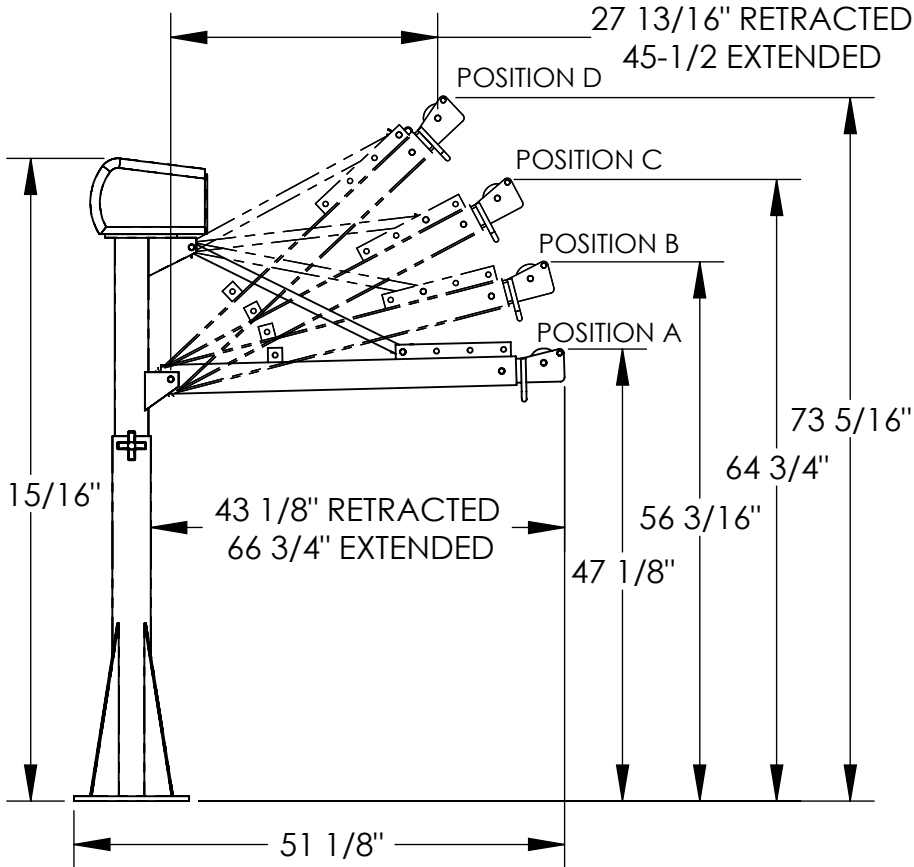


POWER LIFT JIB CRANE - WTJ-E-15-3-AC

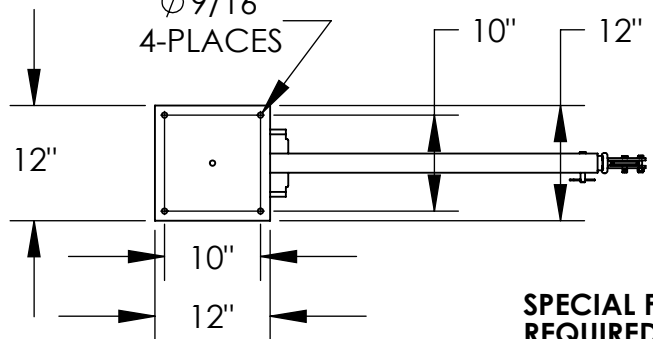
APPROX WEIGHT: 319.56 lbs.
 DOES NOT INCLUDE WEIGHT OF POWER OR PACKAGING!!!

ANY ADDITIONS, DELETIONS, OR OMISSIONS MUST BE CORRECTED ON THIS DRAWING AS THIS DRAWING WILL BE CONSIDERED ALL INCLUSIVE
 ** ALL GRAPHICS PROVIDED ARE FOR REFERENCE ONLY. IF CERTAIN DIMENSIONS ARE CRITICAL PLEASE VERIFY THOSE DIMENSIONS WITH YOUR SALESPERSON **

BOOM POSITION	BOOM EXTENSION		
	FULLY RETRACTED	MID-POSITION	FULLY EXTENDED
A	650 LBS	300 LBS	200 LBS
B	1100 LBS	650 LBS	550 LBS
C	1250 LBS	850 LBS	650 LBS
D	1500 LBS	1150 LBS	800 LBS



3D VIEW OF ASSEMBLED & COLLAPSED UNIT SHOWN FOR REFERENCE ONLY



FOR INTERNAL USE ONLY PROJECT SIGN OFF	
SALES	
ENG.	
FAB.	
POWER	

SPECIAL FOUNDATION MAY BE REQUIRED, SEE OWNERS MANUAL FOR DETAILS. UNIT IS DESIGNED FOR VERTICAL LIFTING ONLY. DO NOT USE FOR LIFTING PERSONNEL OR FOR OVERHEAD LIFTING.

	APPROXIMATE LOAD SPEED (FT./MIN.)			
	NO LOAD		FULL LOAD	
	FULL REEL	EMPTY REEL	FULL REEL	EMPTY REEL
SA9000AC	18	6	7	3.5

DIMENSION TOLERANCE ± 1/4"

STANDARD FEATURES

- MODEL NUMBER IS: WTJ-E-15-3-AC
- CAPACITY IS: 1,500 LBS.
- OVERALL WIDTH IS: 12"
- OVERALL RETRACT LENGTH IS: 51 1/8"
- USABLE RETRACTED LENGTH IS: 43 1/8"
- USABLE EXTENDED LENGTH IS: 66 3/4"
- OVERALL HEIGHT IS: 66 15/16"
- 115V AC POWERED WINCH WITH FINGER TOGGLE SWITCH
- Ø7/32" X 25' LG CABLE AND HOOK
- DURABLE LIQUID PAINT BLUE FINISH

SPECIAL FEATURES

NONE

APPROVAL

I, THE UNDERSIGNED, AGREE THAT THE PRODUCT AS REPRESENTED SATISFIES DESIGN AND DIMENSION REQUIREMENTS. I ALSO ACKNOWLEDGE MY DUTY TO CONFIRM PRODUCT AND INSTALLATION COMPLIANCE WITH ALL APPLICABLE FEDERAL, STATE AND LOCAL REGULATIONS AND STANDARDS.

ANY MODIFIED UNITS ARE NON-RETURNABLE

[] As drawn [] As marked

Signed: _____ Date: _____

Printed Name: _____

LEAD TIME WILL START UPON RECEIPT OF SIGNED APPROVAL DRAWING

DISTRIBUTOR'S NAME:		P.O.#
VESTIL MANUFACTURING		X
DRAWN BY: ND		W.O.#
DATE: 10/19/12		X
REFERENCE: X	SCALE: 1:20	SALES: X
QUOTED LEAD TIME: X	QUOTE # X	FILE NAME:
		28-007-109