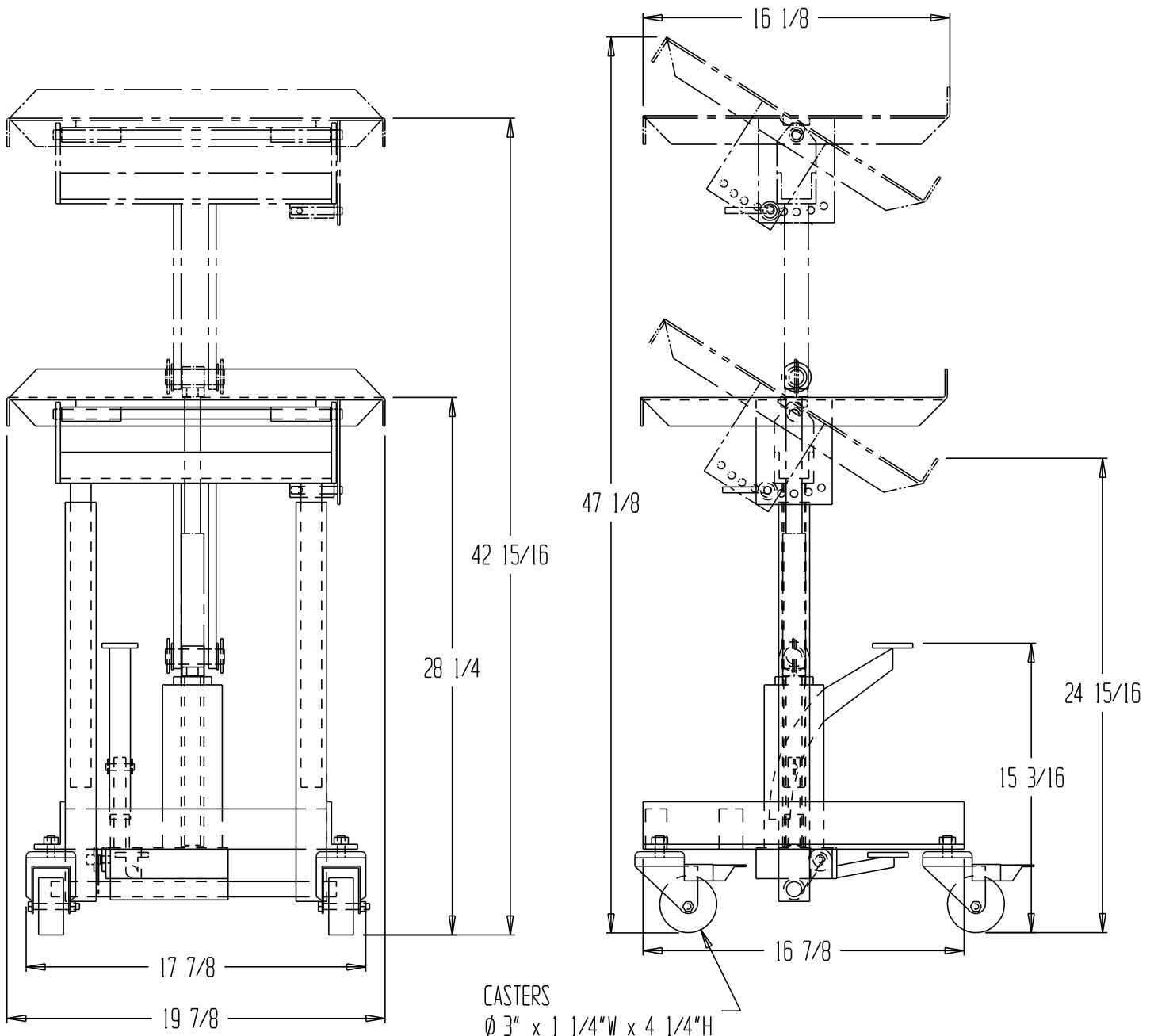


HYDRAULIC WORK POSITIONER - WT-2016-FP



STANDARD FEATURES

MODEL NUMBER: WT-2016-FP
 CAPACITY: 330 LBS.
 OVERALL SIZE: 28 1/4"H x 19 7/8"W x 21"D
 SERVICE RANGE: 28 1/4" TO 42 15/16"
 PLATFORM TILT ANGLES: 0, 10, 20, 30, 40 DEGREES
 MATERIAL: STEEL
 COLOR: BLUE
 HYDRAULIC FOOT PUMP
 TELESCOPING CYLINDER
 LOCKING CASTERS

SPECIAL FEATURES

NONE

PRODUCTION WILL START UPON
 RECEIPT OF SIGNED APPROVAL
 DRAWING

**SPECIAL UNITS ARE NON-RETURNABLE
 *AVAILABLE AT ADDITIONAL COSTS

All graphics provided are for reference only.
 If certain dimensions are critical please
 verify those dimensions with your salesperson

FOR INTERNAL USE ONLY
 PROJECT SIGN OFF

SALES	
ENG	
FAB.	
POWER	

I, THE UNDERSIGNED, AGREE THAT THE PRODUCT AS REPRESENTED SATISFIES DESIGN & DIMENSION REQUIREMENTS. I ALSO ACKNOWLEDGE MY DUTY TO CONFIRM PRODUCT & INSTALLATION COMPLIANCE WITH ALL APPLICABLE FEDERAL, STATE AND LOCAL REGULATIONS & STANDARDS.
ANY MODIFIED UNITS ARE NON-RETURNABLE
 () As drawn () As marked
 Signed: _____ Date: _____
 Printed Name: _____
 LEAD TIME WILL START UPON RECEIPT OF SIGNED APPROVAL DRAWING

DISTRIBUTOR'S NAME: VESTIL MANUFACTURING		P.O.#: -
DRAWN BY: CJD		DATE: 4-23-08
REFERENCE: -	SCALE: 1:8	SALES: -
QUOTED LEADTIME: -	QUOTE #: -	DRWG./FILE NAME: WT-2016-FP