

SCISSOR DOCK LIFT - WL-100-12-68

STANDARD FEATURES

- MODEL NUMBER: WL-100-12-68
- UNIT TO BE MOUNTED: AT SURFACE OR IN PIT (CIRCLE ONE)
- CAPACITY (EVENLY DISTRIBUTED): 12,000 LBS
- AXLE END LOAD CAPACITY IS: 9,750 LBS
- AXLE SIDE LOAD CAPACITY IS: 8,500 LBS
- OVERALL PLATFORM SIZE: 6' (72") x 8' (96")
- USABLE PLATFORM SIZE: SEE DIAGRAM
- RAISED HEIGHT: 72"
- LOWERED HT: 14"
- REMOVABLE HANDRAILS 45" HT W/ 21" MIDRAIL
AND 4" TOEBOARD, TOE BOARDS ARE: NON-REMOVABLE
- TRUCK BRIDGE IS 72" W x 18" L
W/ RUN OFF GUARDS, CHAINS & HANDLES

SHIPPING WT IS: 6,392 LBS

6 1/2 HP POWER UNIT (SEE BOTTOM LEFT CORNER) W/ 8' OF HYDRAULIC HOSE
- 24 VAC HAND-HELD CONTROL ON A 4'-20' COIL CORD

REFER TO THE UNIT'S ELECTRICAL DIAGRAM FOR ELEC. SERVICE REQUIREMENTS
- INSTALL TO MEET ALL APPLICABLE STATE & LOCAL CODES FOR YOUR AREA!

5" BEVELED TOE GUARD WITH ELECTRIC TOE GUARD
- THE ELECTRIC TOE GUARD AND UPPER LIMIT SWITCH CIRCUITS MUST BE COMPLETED
BY INSTALLING AN 18/5 STD (OR EQUIV.) CABLE BETWEEN THE POWER UNIT
AND THE JUNCTION BOX LOCATED IN THE LIFT'S FRAME

UP SPEED AT FULL CAPACITY IS 4.3 SECONDS PER FOOT (@460 THREE PHASE)

FOR WARRANTY INFO SEE FORM WTY-91

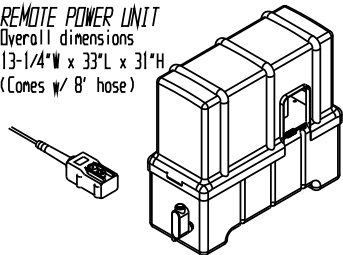
ARCHITECTURAL REVIEW FOR CORRECTNESS OF PIT AND FOR
COMPLIANCE TO LOCAL AND STATE CODES IS RECOMMENDED.

* Optional Features: (Available at additional cost)

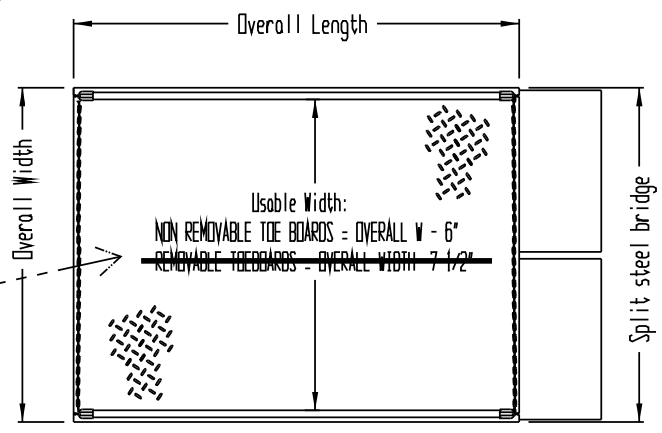
- Dual speed hydraulic pump
- 2 HP single or three-phase power unit
- 3 HP single-phase power unit (1 1/2 GPM)
- 7 1/2 HP three-phase power unit (4.5 GPM)
- 10 HP three-phase power unit (6 GPM)
- Control lockout key switch
- Warning beeper during travel
- Warning strobe during travel
- Oil immersion heater w/ t'stat
- Power cord with twist-lock plug
- Longer hydraulic hose length
- 50,000 lbs. rollover capacity (lowered height + 2")
- Flush removable handrails and toeboard
- Additional split steel bridge
- Split aluminum truck bridge
- Four-sided accordion skirt (customer installs)
- Wheel and dolly jack kit (6,000# max. capacity)
- Automatic wheel chocks
- Stop signal sign
- Steel approach ramp (___" x ___")
- Cold galvanized deck and frame
- 115V single phase

** Any additions, deletions or omissions must be corrected on this drawing, as this drawing will be considered all inclusive. **

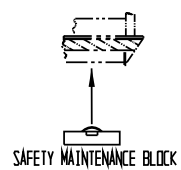
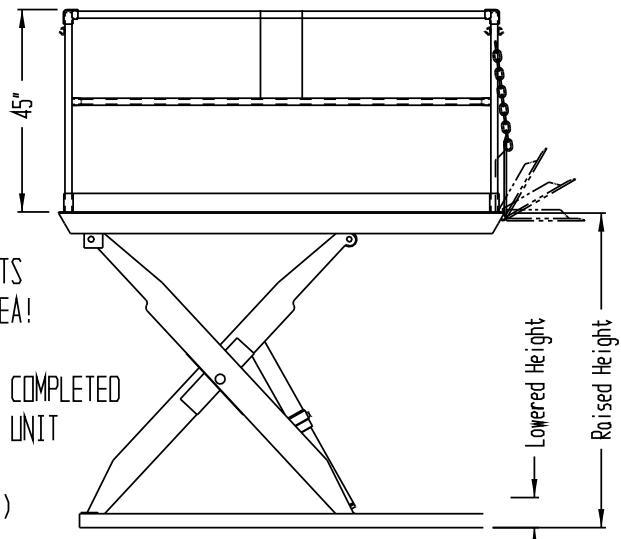
REMOTE POWER UNIT
Overall dimensions
13-1/4" W x 33" L x 31" H
(Cone w/ 8' hose)



PLEASE CIRCLE SPECIFICATIONS:			
MOTOR VOLTAGE	208	230	(460)
DEDICATED CIRCUIT REQUIRED			
MOTOR PHASE	- (THREE)		



***STANDARD UNIT NOT INTENDED FOR SIDE/CROSS LOADING



PRODUCTION WILL START UPON
RECEIPT OF SIGNED APPROVAL
DRAWING

**SPECIAL UNITS ARE NON-RETURNABLE
*AVAILABLE AT ADDITIONAL COSTS

All graphics provided are for reference only.
If certain dimensions are critical please
verify those dimensions with your salesperson

I, THE UNDERSIGNED, AGREE THAT THE PRODUCT AS REPRESENTED
SATISFIES DESIGN & DIMENSION REQUIREMENTS. I ALSO ACKNOWLEDGE
MY DUTY TO CONFIRM PRODUCT & INSTALLATION COMPLIANCE WITH ALL
APPLICABLE FEDERAL, STATE AND LOCAL REGULATIONS & STANDARDS.
ALL SPECIAL UNITS ARE NON-RETURNABLE
[] As drawn [] As marked
Signed: _____ Date: _____
LEAD TIME WILL START UPON RECEIPT OF SIGNED APPROVAL DRAWING

DISTRIBUTOR'S NAME: VESTIL MANUFACTURING		P.O.#: -
DRAWN BY: -		DATE: -
REFERENCE: -		SCALE: 1:40
QUOTED LEADTIME: -		DATE #: -
		DRG.#/FILE NAME: 05-007-018-002