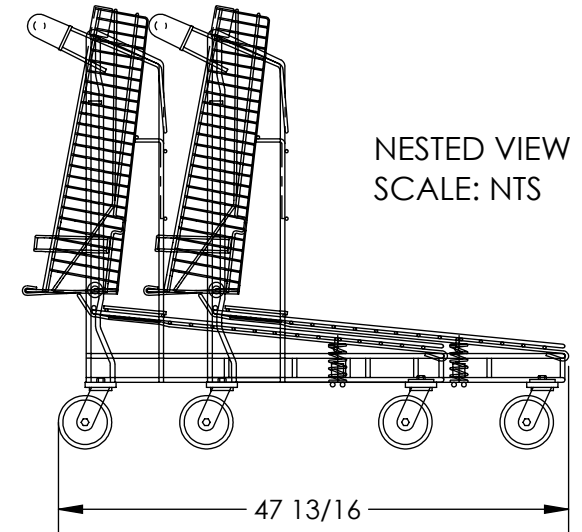
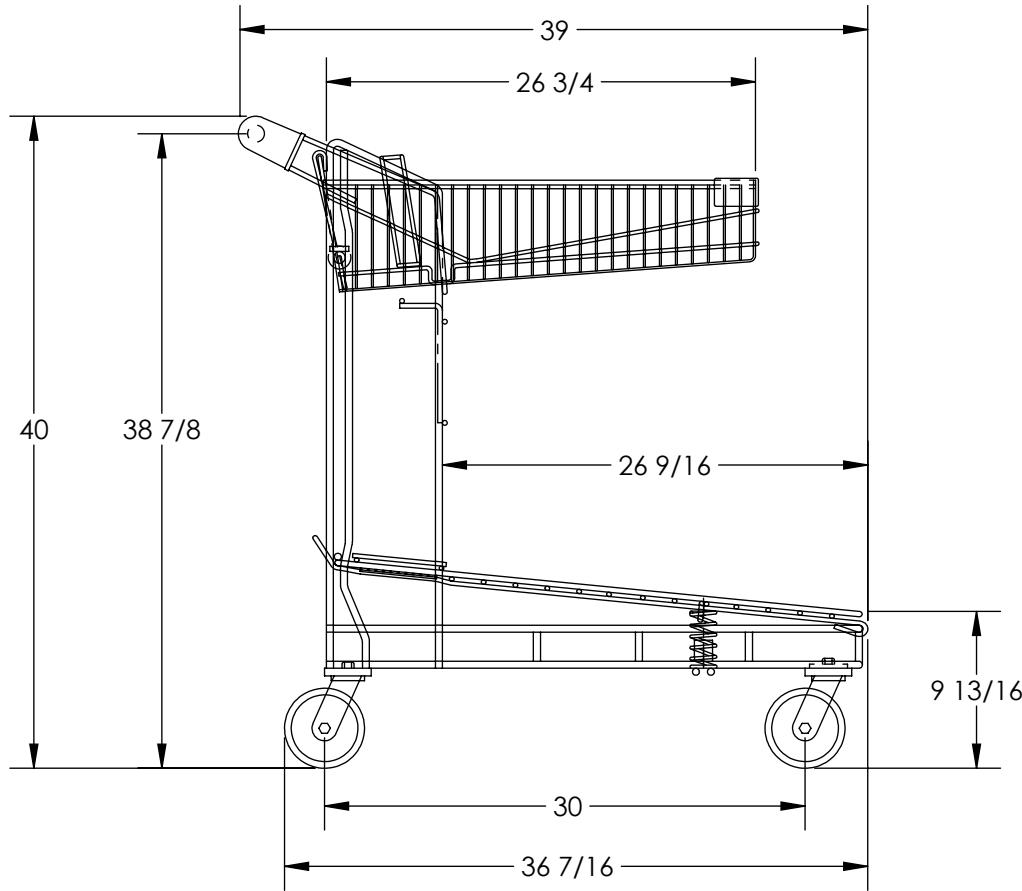


NESTABLE WIRE CART - WIRE-S

*** ANY ADDITIONS, DELETIONS, OR OMISSIONS MUST BE CORRECTED ON THIS DRAWING AS THIS DRAWING WILL BE CONSIDERED ALL INCLUSIVE ***
 ALL GRAPHICS PROVIDED ARE FOR REFERENCE ONLY. IF CERTAIN DIMENSIONS ARE CRITICAL PLEASE VERIFY THOSE DIMENSIONS WITH YOUR SALESPERSON



NESTED VIEW
 SCALE: NTS

DIMENSION TOLERANCE ± 1/2"

APPROVAL

I, THE UNDERSIGNED, AGREE THAT THE PRODUCT AS REPRESENTED SATISFIES DESIGN AND DIMENSION REQUIREMENTS. I ALSO ACKNOWLEDGE MY DUTY TO CONFIRM PRODUCT AND INSTALLATION COMPLIANCE WITH ALL APPLICABLE FEDERAL, STATE AND LOCAL REGULATIONS AND STANDARDS.
UNITS REQUIRING APPROVAL DRAWINGS OR MODIFIED ARE NON-RETURNABLE
 As drawn As marked

Signed: _____ Date: _____
 Printed Name: _____
LEAD TIME WILL START UPON RECEIPT OF SIGNED APPROVAL DRAWING

STANDARD FEATURES

- MODEL NUMBER IS: WIRE-S
- MAX CAPACITY IS: 90 LBS
- USABLE WIDTH IS: 22" (NOT SHOWN)
- OVERALL LENGTH IS: 39"
- OVERALL HEIGHT IS: 40"
- USABLE HEIGHT IS: 9 13/16"
- BASKET SIZE IS: 26 3/4"
- OVERALL LENGTH NESTED TOGETHER IS: 47 13/16"
- (4) 1 1/4" x 5" SWIVEL CASTERS

SPECIAL FEATURES

NONE

FOR INTERNAL USE ONLY PROJECT SIGN OFF	
SALES	
ENG.	
FAB.	
POWER	

DISTRIBUTOR'S NAME:		P.O.#
VESTIL MANUFACTURING		X
DRAWN BY: JGP	DATE: 10/15/2020	W.O.#
REFERENCE: X	SCALE: NTS	X
QUOTED LEAD TIME: X	QUOTE #	FILE NAME:
	X	WIRE-S