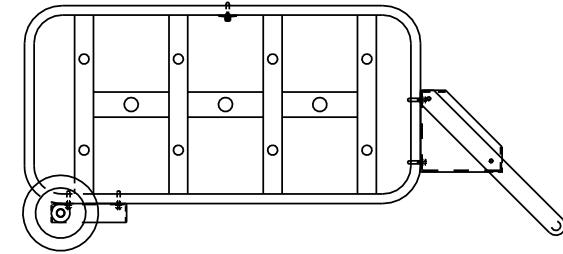
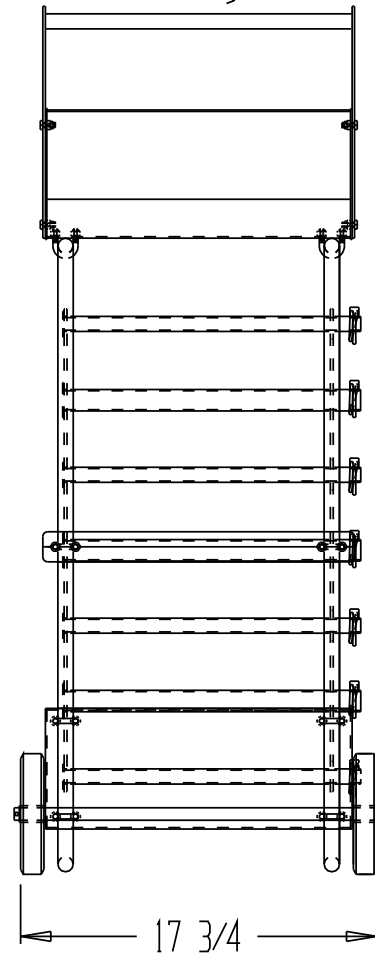
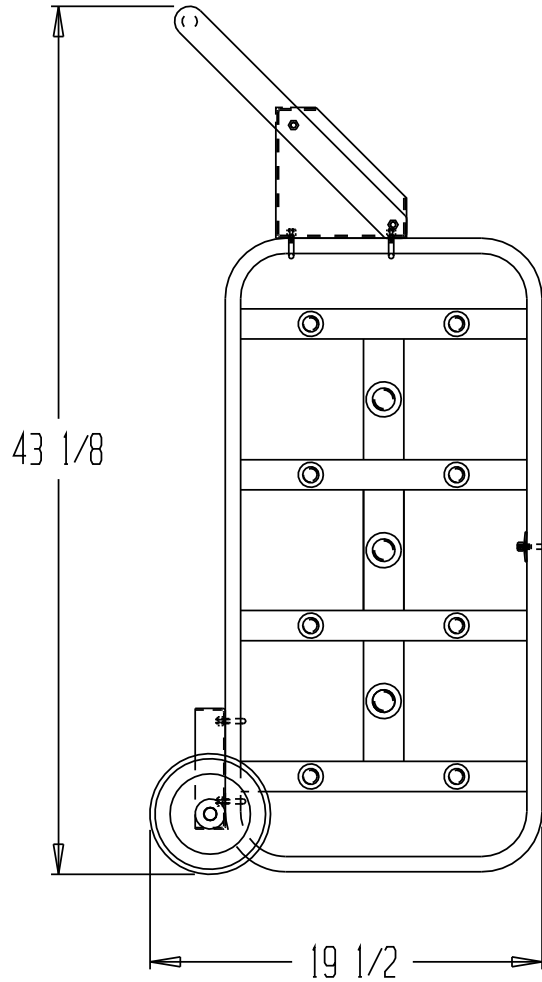


# ECONOMY WIRE REEL CADDY, WIRE-D-E



HORIZONTAL VIEW  
SCALE: 1:14

LEAD TIME WILL START UPON  
RECEIPT OF SIGNED APPROVAL  
DRAWING

## APPROVAL

I, the undersigned, hereby approve this print  
 As drawn       As marked  
 This includes my approval of design & dimensions.  
 Signed: \_\_\_\_\_  
 Date: \_\_\_\_\_

## STANDARD FEATURES

MODEL NUMBER: WIRE-D-E  
 OVERALL HEIGHT: 43 1/8"  
 OVERALL WIDTH: 17 3/4"  
 OVERALL DEPTH: 19 1/2"  
 CAPACITY: 110 LBS.  
 TOOL TRAY SIZE: 15 1/4" X 6 1/2" X 6 1/2"  
 6" X 1 1/4" SEMI-PNEUMATIC WHEELS  
 (LARGE SPOOL AXLE) MAX REEL DIAMETER: 14"  
 (SMALL SPOOL AXLE) MAX REEL DIAMETER: 7"  
 CAPACITY: 150 LBS. UNIFORMLY DISTRIBUTED  
 ALL STEEL CONSTRUCTION  
 PAINTED FINISH

## SPECIAL FEATURES

NONE

\*\*SPECIAL UNITS ARE NON-RETURNABLE  
 \*AVAILABLE AT ADDITIONAL COSTS

DISTRIBUTOR'S NAME:		P.O.#: -
<b>VESTIL MANUFACTURING</b>		W.O.#: -
DRAWN BY: QW	DATE: 5/07/09	SALES: -
REFERENCE:		DRWG./FILE NAME:
-	SCALE: 1:10	31-007-099