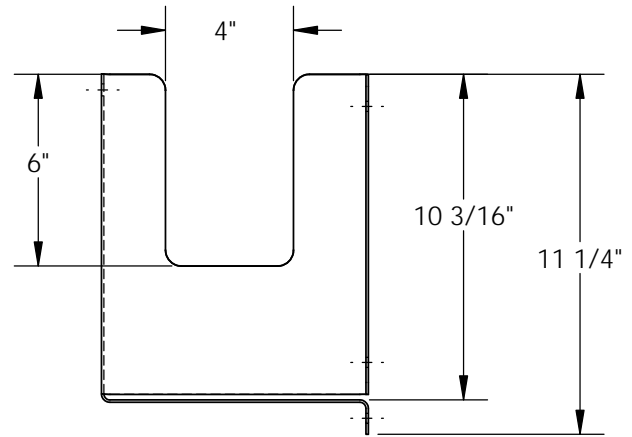
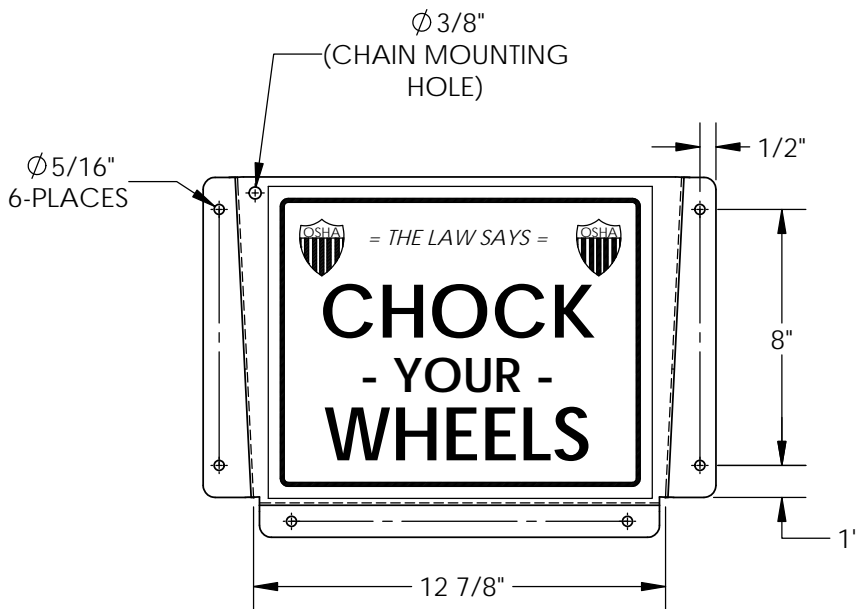
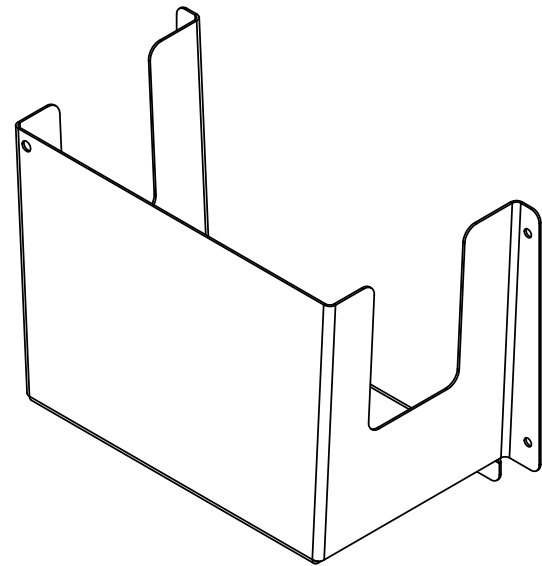
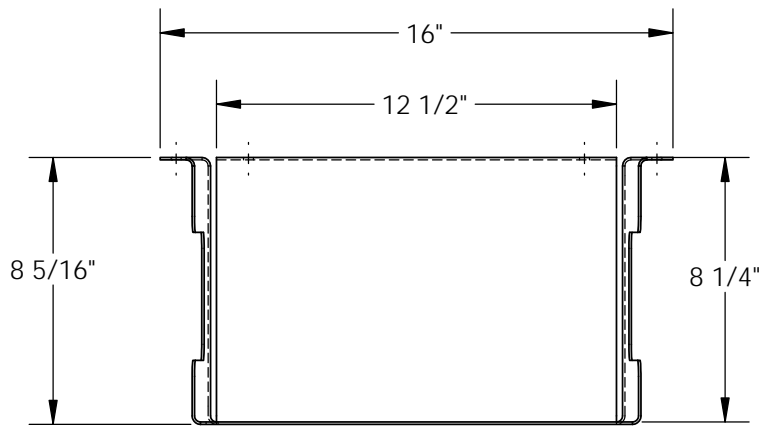


WHEEL CHOCK HOLDER - WC-H-R

APPROX WEIGHT: 8.20 lbs.
DOES NOT INCLUDE WEIGHT OF POWER OR PACKAGING!!!

ANY ADDITIONS, DELETIONS, OR OMISSIONS MUST BE CORRECTED ON THIS DRAWING AS THIS DRAWING WILL BE CONSIDERED ALL INCLUSIVE



STANDARD FEATURES

- MODEL NUMBER IS WC-H-R
- UNIFORM CAPACITY IS 40 LBS.
- OVERALL WIDTH IS 16"
- OVERALL DEPTH IS 8 5/16"
- OVERALL HEIGHT IS 11 1/4"
- USABLE WIDTH IS 12 7/8"
- USABLE DEPTH IS 8 1/4"
- USABLE HEIGHT IS 10 3/16"
- INCLUDES (6) Ø5/16" MOUNTING HOLES
- INCLUDES (1) Ø3/8" CHAIN MOUNTING HOLE
- INCLUDES STICKER ON FRONT FACE READING "THE LAW SAYS CHOCK YOUR WHEELS"
- STEEL CONSTRUCTION
- YELLOW POWDERCOAT FINISH

ALL GRAPHICS PROVIDED ARE FOR REFERENCE ONLY. IF CERTAIN DIMENSIONS ARE CRITICAL PLEASE VERIFY THOSE DIMENSIONS WITH YOUR SALESPERSON
DIMENSION TOLERANCE ± 1/4"

APPROVAL

I, THE UNDERSIGNED, AGREE THAT THE PRODUCT AS REPRESENTED SATISFIES DESIGN AND DIMENSION REQUIREMENTS. I ALSO ACKNOWLEDGE MY DUTY TO CONFIRM PRODUCT AND INSTALLATION COMPLIANCE WITH ALL APPLICABLE FEDERAL, STATE AND LOCAL REGULATIONS AND STANDARDS.
ALL SPECIAL UNITS ARE NON-RETURNABLE
[] As drawn [] As marked

Signed: _____ Date: _____

LEAD TIME WILL START UPON RECEIPT OF SIGNED APPROVAL DRAWING

SPECIAL FEATURES

NONE

FOR INTERNAL USE ONLY PROJECT SIGN OFF	
SALES	
ENG.	
FAB.	
POWER	

DISTRIBUTOR'S NAME:		P.O.#
VESTIL MANUFACTURING		X
DRAWN BY: TJM		W.O.#
DATE: 05/07/15		X
REFERENCE: X	SCALE: 1:6	SALES: X
QUOTED LEAD TIME: X	QUOTE #	FILE NAME:
	X	23-007-569