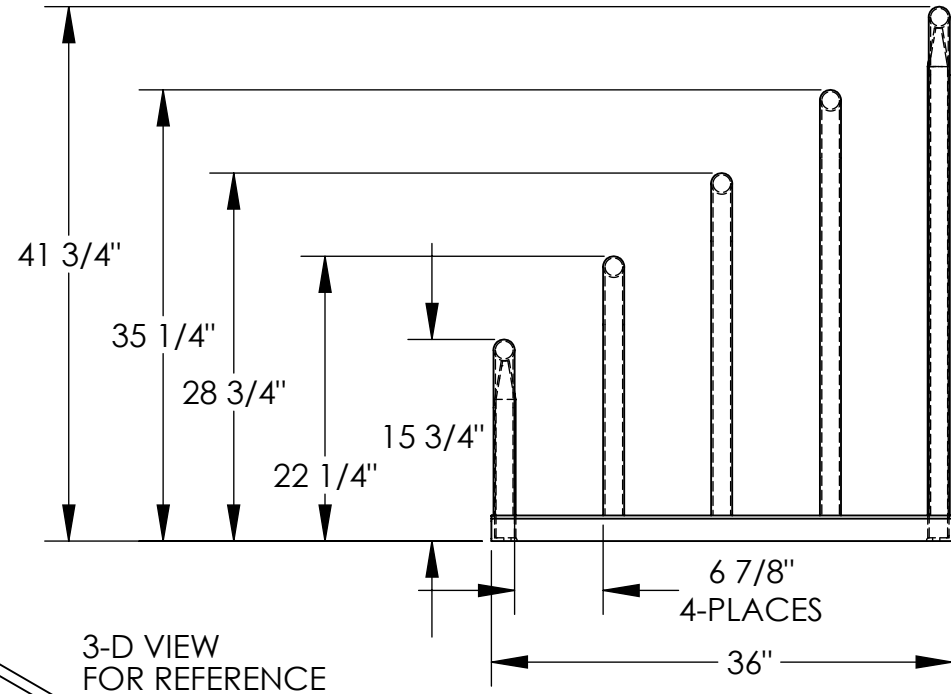
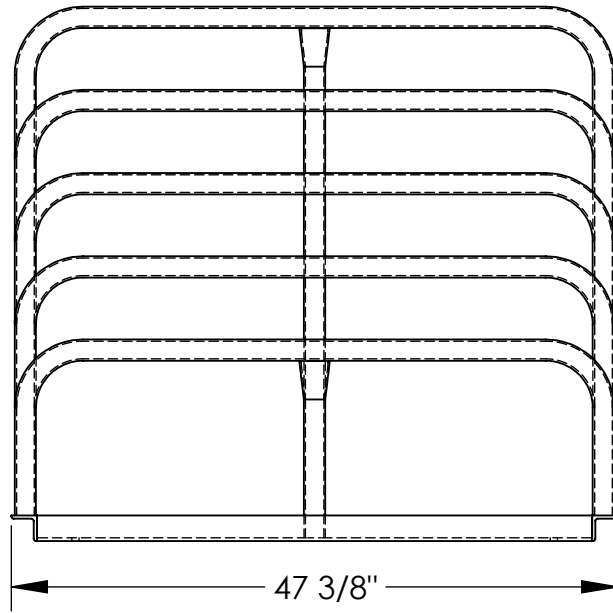


# VARIABLE HEIGHT SHEET RACK - VHSR-4

APPROX WEIGHT: 139.28 lbs.  
DOES NOT INCLUDE WEIGHT OF POWER OR PACKAGING!!!

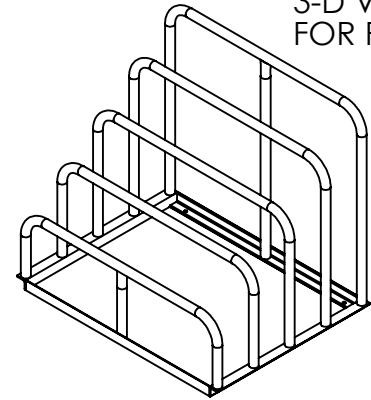
\*\*\* ANY ADDITIONS, DELETIONS, OR OMISSIONS MUST BE CORRECTED ON THIS DRAWING AS THIS DRAWING WILL BE CONSIDERED ALL INCLUSIVE \*\*\*

ALL GRAPHICS PROVIDED ARE FOR REFERENCE ONLY. IF CERTAIN DIMENSIONS ARE CRITICAL PLEASE VERIFY THOSE DIMENSIONS WITH YOUR SALESPERSON



3-D VIEW FOR REFERENCE

DIMENSION TOLERANCE ± 1/4"



## STANDARD FEATURES

- MODEL NUMBER: VHSR-4
- 4 BAYS FOR STORAGE
- 6 7/8" OPENING BETWEEN DIVIDERS
- CAPACITY IS 1500 LBS PER BAY
- OVERALL HEIGHT IS 41 3/4"
- OVERALL LENGTH IS 36"
- OVERALL WIDTH IS 47 3/8"
- BASE HAS 4 LAG DOWN HOLES FOR 1/2" LAG BOLTS (NOT SHOWN)
- TOUGH BAKED IN POWDER COATED BLUE FINISH

## SPECIAL FEATURES

NONE

**APPROVAL**

I, THE UNDERSIGNED, AGREE THAT THE PRODUCT AS REPRESENTED SATISFIES DESIGN AND DIMENSION REQUIREMENTS. I ALSO ACKNOWLEDGE MY DUTY TO CONFIRM PRODUCT AND INSTALLATION COMPLIANCE WITH ALL APPLICABLE FEDERAL, STATE AND LOCAL REGULATIONS AND STANDARDS.

**ANY MODIFIED UNITS ARE NON-RETURNABLE**

As drawn       As marked

Signed: \_\_\_\_\_ Date: \_\_\_\_\_

Printed Name: \_\_\_\_\_

LEAD TIME WILL START UPON RECEIPT OF SIGNED APPROVAL DRAWING

FOR INTERNAL USE ONLY PROJECT SIGN OFF	
SALES	
ENG.	
FAB.	
POWER	

DISTRIBUTOR'S NAME:		P.O.#
VESTIL MANUFACTURING		X
DRAWN BY: N. FREEMAN		W.O.#
DATE: 06/20/2005		X
REFERENCE: X	SCALE: 1:15	SALES: X
QUOTED LEAD TIME: X	QUOTE #	FILE NAME:
	X	31-007-001