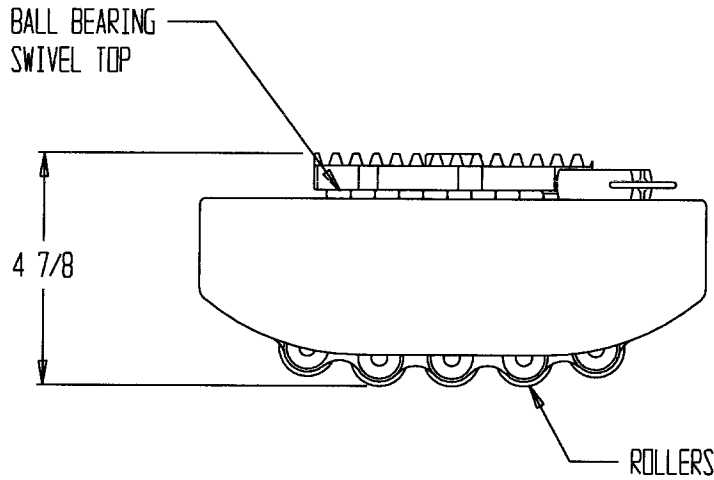
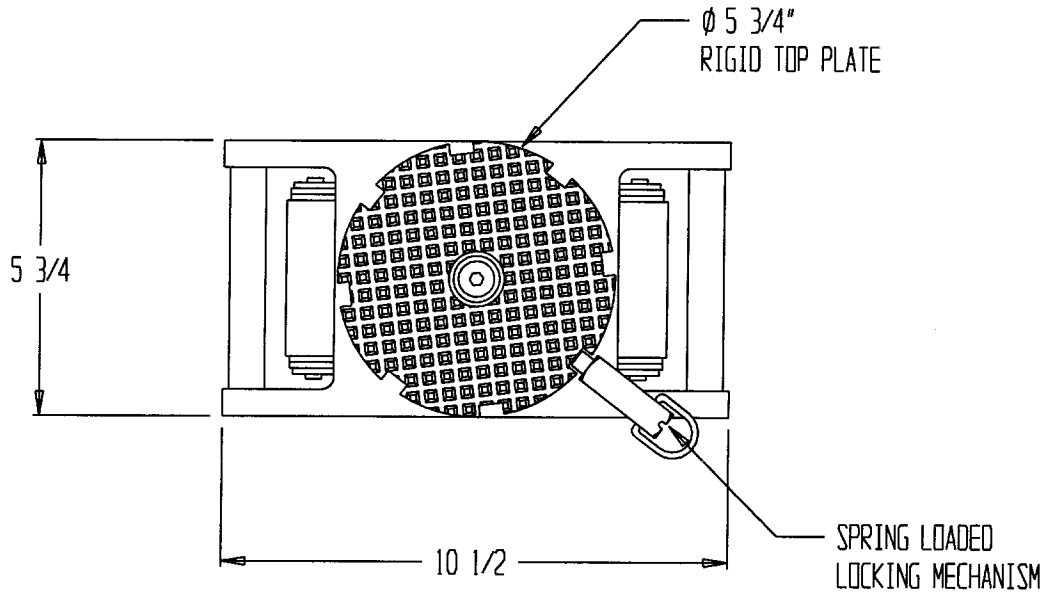


MACHINE ROLLER, VHMS-15



STANDARD FEATURES

- MODEL NUMBER: VHMS-15
- CAPACITY: 15000 LBS
- OVERALL WIDTH: 5 3/4"
- OVERALL LENGTH: 10 1/2"
- OVERALL HEIGHT: 4 7/8"
- RIGID Ø 5 3/4" TOP PLATE
- ROLLER LENGTH: 3 1/4"
- ROLLER DIA: Ø 1 3/16"
- NUMBER OF ROLLERS: 12

SPECIAL FEATURES

NONE

LEAD TIME WILL START UPON
RECEIPT OF SIGNED APPROVAL
DRAWING

APPROVAL

I, the undersigned, hereby approve this print
 As drawn As marked
 This includes my approval of design & dimensions.
 Signed: _____
 Date: _____

DISTRIBUTOR'S NAME:		P.O.#: -
VESTIL MANUFACTURING		W.O.#: -
DRAWN BY: -	DATE: -	SALES: -
REFERENCE:		DRWG./FILE NAME:
-		SCALE: 1:4

**SPECIAL UNITS ARE NON-RETURNABLE
 *AVAILABLE AT ADDITIONAL COSTS