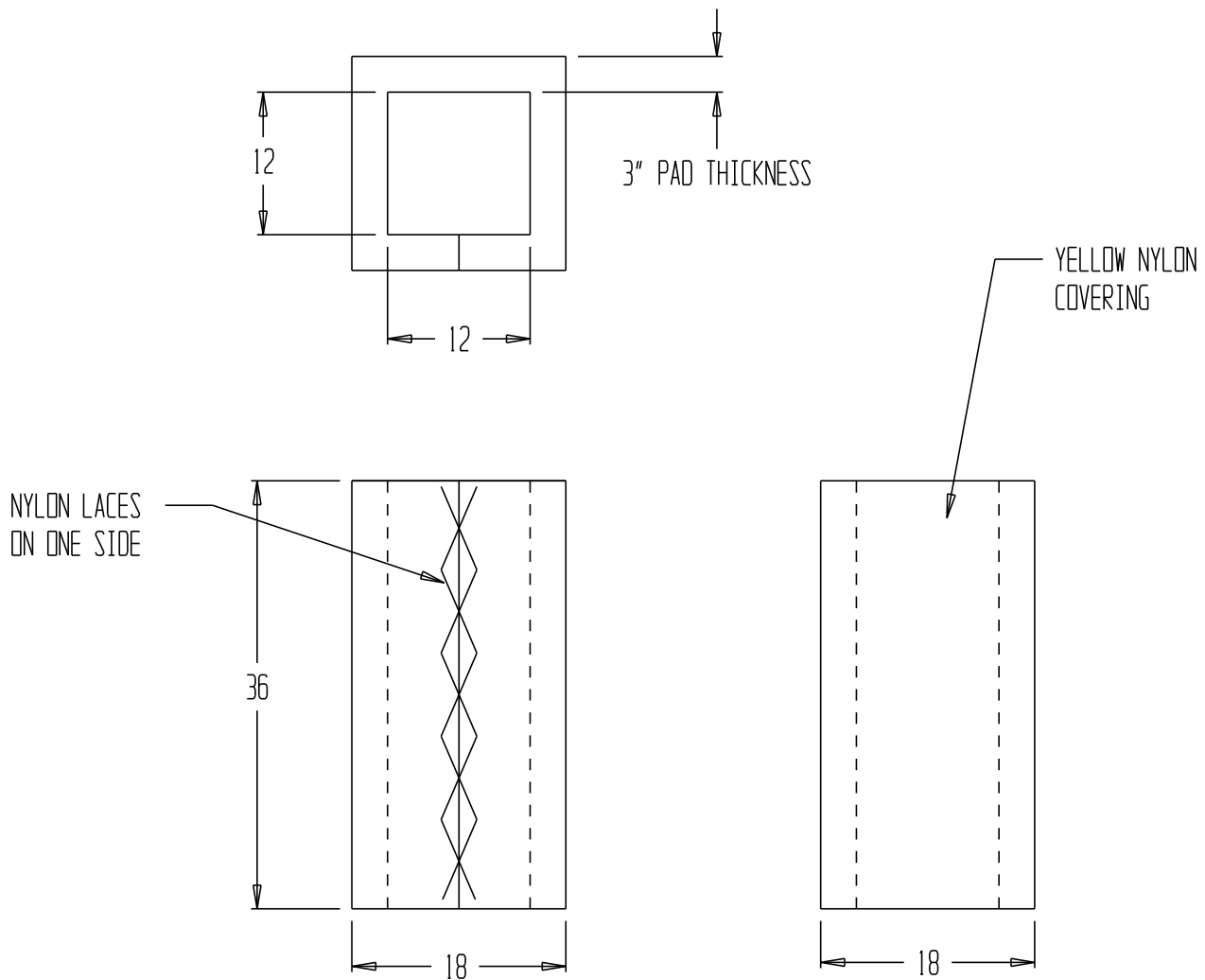


STRUCTURAL COLUMN PAD - V-PAD-S-312-Y

DO NOT DUPLICATE © 2018 VESTIL MANUFACTURING



STANDARD FEATURES

- MODEL NUMBER: V-PAD-S-312-Y
- SQUARE COLUMN PROTECTOR
- 36" OVERALL PAD HEIGHT
- COLUMN SIZE IS 12" x 12"
- ONE PIECE DESIGN
- NYLON LACES ON ONE SIDE
- 3" PAD THICKNESS
- YELLOW NYLON COVERING

SPECIAL FEATURES

Any additions, deletions or omissions must be corrected on this drawing, as this drawing will be considered all inclusive.

All graphics provided are for reference only. If certain dimensions are critical please verify those dimensions with your salesperson

**A
P
P
R
O
V
A
L**

I, THE UNDERSIGNED, AGREE THAT THE PRODUCT AS REPRESENTED SATISFIES DESIGN & DIMENSION REQUIREMENTS. I ALSO ACKNOWLEDGE MY DUTY TO CONFIRM PRODUCT & INSTALLATION COMPLIANCE WITH ALL APPLICABLE FEDERAL, STATE AND LOCAL REGULATIONS & STANDARDS.

ANY MODIFIED UNITS ARE NON-RETURNABLE

[] As drawn [] As marked

Signed: _____ Date: _____

Printed Name: _____

LEAD TIME WILL START UPON RECEIPT OF SIGNED APPROVAL DRAWING

FOR INTERNAL USE ONLY PROJECT SIGN OFF	
SALES	
ENG.	
FAB.	
POWER	

DISTRIBUTOR'S NAME: -		P.O.#: -
		W.O.#: -
DRAWN BY: BB	DATE: 2/25/14	SALES: -
REFERENCE: -	SCALE: 1:16	DRWG./FILE NAME:
QUOTED LEADTIME: -	QUOTE #: -	V-PAD-S-312-Y