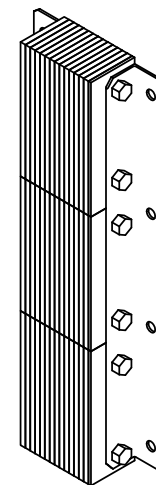
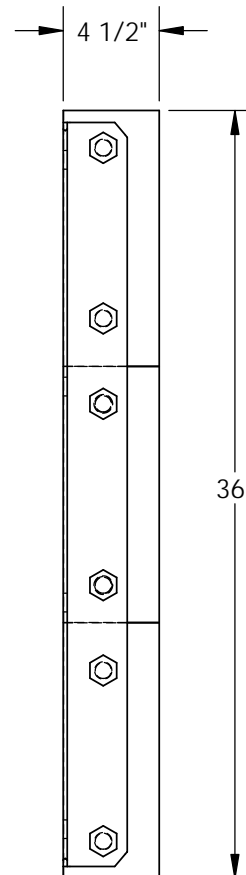
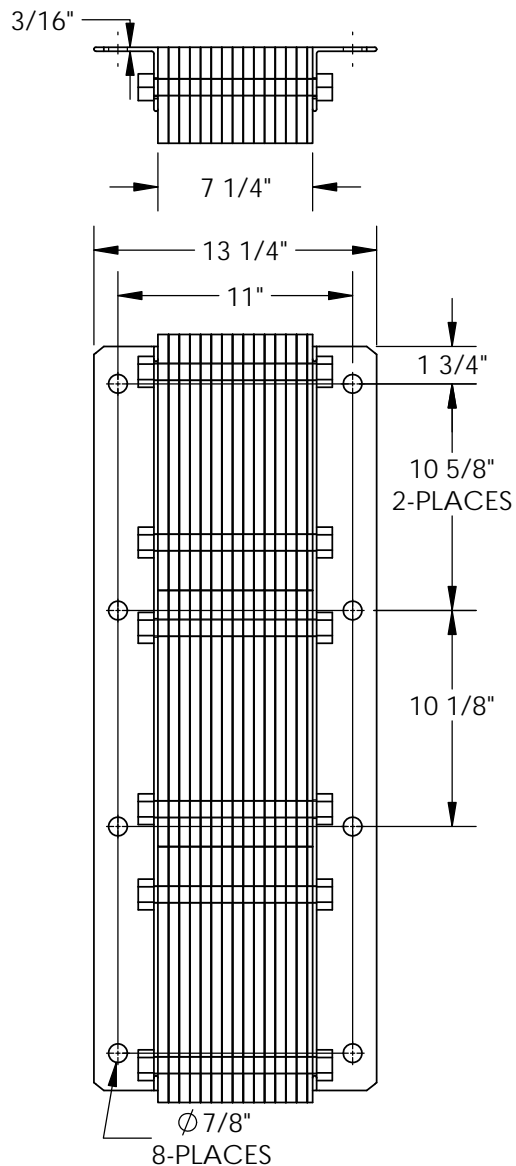


LAMINATED DOCK BUMPERS - V-1136-4.5

APPROX WEIGHT: 70.54 lbs.
DOES NOT INCLUDE WEIGHT OF POWER OR PACKAGING!!!

ANY ADDITIONS, DELETIONS, OR OMISSIONS MUST BE CORRECTED ON THIS DRAWING AS THIS DRAWING WILL BE CONSIDERED ALL INCLUSIVE



FOR INTERNAL USE ONLY PROJECT SIGN OFF	
SALES	
ENG.	
FAB.	
POWER	

ALL GRAPHICS PROVIDED ARE FOR REFERENCE ONLY. IF CERTAIN DIMENSIONS ARE CRITICAL PLEASE VERIFY THOSE DIMENSIONS WITH YOUR SALESPERSON

DIMENSION TOLERANCE $\pm 1/2$ "

STANDARD FEATURES

- MODEL NUMBER IS V-1136-4.5
- OVERALL WIDTH IS 13 1/4"
- USABLE WIDTH IS 11"
- OVERALL DEPTH IS 4 1/2"
- OVERALL HEIGHT IS 36"
- FABRIC REINFORCED LAMINATED RUBBER PADS WITH PAINTED STRUCTURAL ANGLES

SPECIAL FEATURES

NONE

APPROVAL

I, THE UNDERSIGNED, AGREE THAT THE PRODUCT AS REPRESENTED SATISFIES DESIGN AND DIMENSION REQUIREMENTS. I ALSO ACKNOWLEDGE MY DUTY TO CONFIRM PRODUCT AND INSTALLATION COMPLIANCE WITH ALL APPLICABLE FEDERAL, STATE AND LOCAL REGULATIONS AND STANDARDS.
ANY MODIFIED UNITS ARE NON-RETURNABLE
[] As drawn [] As marked

Signed: _____ Date: _____

Printed Name: _____

LEAD TIME WILL START UPON RECEIPT OF SIGNED APPROVAL DRAWING

DISTRIBUTOR'S NAME:		P.O.#
VESTIL MANUFACTURING		X
DRAWN BY: B.HORN		DATE: 3/26/15
REFERENCE: X		SCALE: 1:9
QUOTED LEAD TIME: X	QUOTE # X	SALES: X
		FILE NAME: 29-007-285