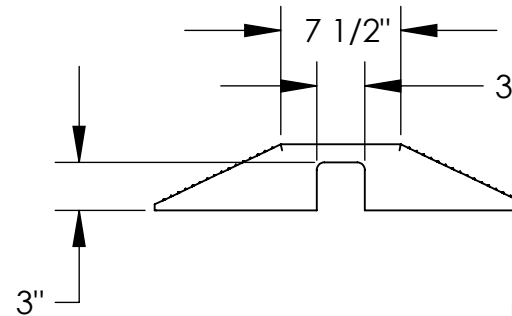
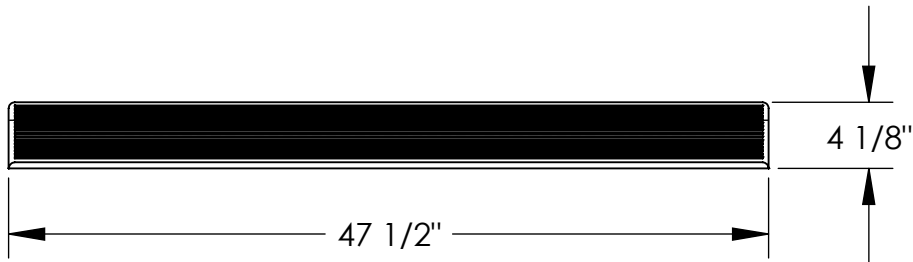
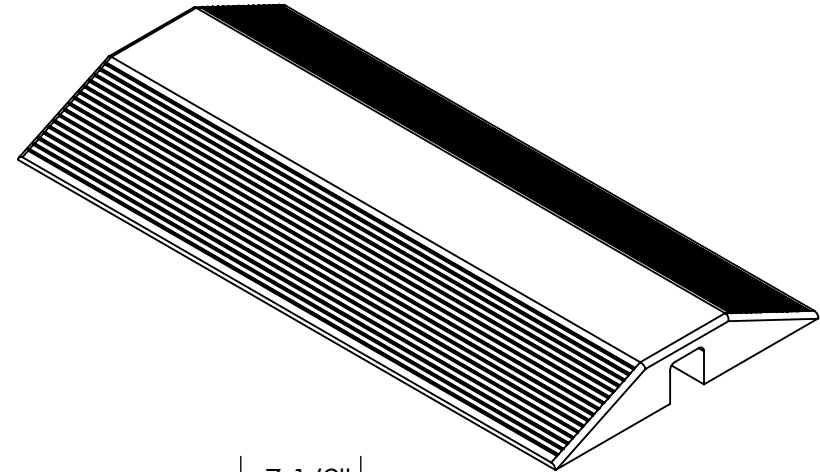
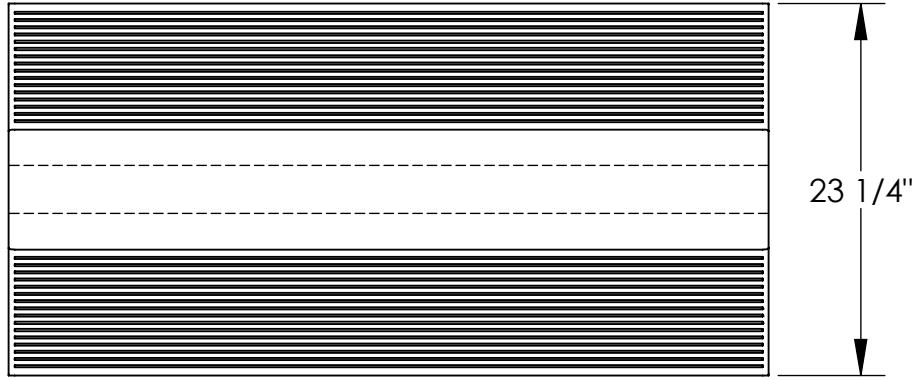


URETHANE HOSE & CABLE CROSSOVER RAMP - URTH-48

APPROX WEIGHT: 39 lbs.
 DOES NOT INCLUDE WEIGHT OF POWER OR PACKAGING!!!

*** ANY ADDITIONS, DELETIONS, OR OMISSIONS MUST BE CORRECTED ON THIS DRAWING AS THIS DRAWING WILL BE CONSIDERED ALL INCLUSIVE ***
 ALL GRAPHICS PROVIDED ARE FOR REFERENCE ONLY. IF CERTAIN DIMENSIONS ARE CRITICAL PLEASE VERIFY THOSE DIMENSIONS WITH YOUR SALESPERSON



DIMENSION TOLERANCE ± 1/4"

STANDARD FEATURES

- MODEL NUMBER IS: URTH-48
- OVERALL WIDTH IS: 23 1/4"
- OVERALL LENGTH IS: 47 1/2"
- OVERALL HEIGHT IS: 4 1/8"
- USABLE SPAN IS 3"W x 3"H
- TRACTION CLEATS ON RAMP SURFACE TO PREVENT SLIPPAGE
- DURABLE URETHANE CONSTRUCTION
- COLOR IS SAFETY ORANGE
- UNIT WILL ACCOMMODATE ANY HIGHWAY LEGAL VEHICLE UP TO AND INCLUDING FIRE ENGINES.
- (DESIGNED FOR LIGHT TRAFFIC AND SLOW MOVING APPLICATIONS ONLY)

SPECIAL FEATURES

NONE

APPROVAL

I, THE UNDERSIGNED, AGREE THAT THE PRODUCT AS REPRESENTED SATISFIES DESIGN AND DIMENSION REQUIREMENTS. I ALSO ACKNOWLEDGE MY DUTY TO CONFIRM PRODUCT AND INSTALLATION COMPLIANCE WITH ALL APPLICABLE FEDERAL, STATE AND LOCAL REGULATIONS AND STANDARDS.
UNITS REQUIRING APPROVAL DRAWINGS OR MODIFIED ARE NON-RETURNABLE
 As drawn As marked

Signed: _____ Date: _____

Printed Name: _____

LEAD TIME WILL START UPON RECEIPT OF SIGNED APPROVAL DRAWING

FOR INTERNAL USE ONLY PROJECT SIGN OFF	
SALES	
ENG.	
FAB.	
POWER	

DISTRIBUTOR'S NAME:		P.O.#
VESTIL MANUFACTURING		X
W.O.#		X
DRAWN BY: TJM	DATE: 03/17/08	SALES: X
REFERENCE: X	SCALE: 1:12	FILE NAME:
QUOTED LEAD TIME: X	QUOTE # X	29-007-090