

A company dedicated to solving ergonomic and material handling problems since 1955.

Ergonomic Solutions

OWNER'S MANUAL

LIFT AND TILT WORKSTATION TABLES MODEL ULTT

Contents

Installation Instructions	2	Power Unit's Operation	9
Operation Instructions	3	Troubleshooting	10
Routine Maintenance & Safety Checks	4	Safety Label Identification	11
Exploded Structural Parts Drawing & BOM .	5	Warranty	12
Electrical & Hydraulic Diagrams & BOM	6-8		

WARNINGS & SAFETY INSTRUCTIONS

Ensure that all employees understand and follow the following.

- Read and understand the owner's manual before using or servicing the ULTT.
- The load must be removed and the platform supported or fully lowered before any work is performed on the lift.
- Ensure that all safety and warning labels stay in place and are legible.
- Do not use the ULTT if any damage or unusual noise is observed.
- Always watch the platform and the container carefully when the tilter is in operation.
- Do not use brake fluid or jack oils in the hydraulic system. If oil is needed, use an anti-wear hydraulic oil with a viscosity grade of 150 SUS at 100°F, (ISO 32 cSt @ 40°C), or Dexron transmission fluid.
- Contact the manufacturer for any needed MSDS information.
- Do not perform any modifications to the ULTT without the manufacturer's approval. Failure to receive authorization for changes to the equipment could void the warranty.
- Maintenance and repairs are to be done only by personnel qualified to perform the required work. Warranty labor charges will not receive consideration without prior written authorization by the manufacturer.

REPLACEMENT PARTS

We take pride in using quality parts on the equipment we manufacture. We are not responsible for equipment problems resulting from the use of unapproved replacement parts.

To order replacement or spare parts for this equipment, contact the factory.

In any communication with the factory please be prepared to provide the machine's serial number, which is indicated on the machine dataplate.

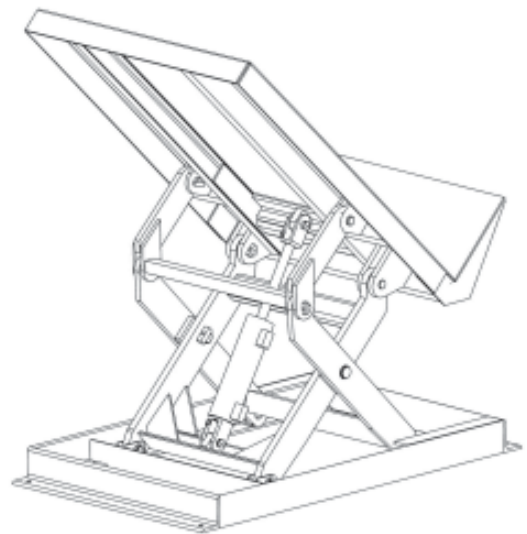
RECEIVING INSTRUCTIONS

Every unit is thoroughly tested and inspected prior to shipment. However, it is possible that the unit could incur damage during transit.

Inspect the unit closely when it arrives. *If you see evidence of damage or rough handling to either the packaging or to the product when it is being unloaded, immediately make a note of it on the Bill Of Lading!*

It is important that you remove the product's packaging upon its arrival to ensure that there is no concealed damage or to enable a timely claim with the carrier for freight damage.

Also verify that the product and its specifications are as ordered.



Model ULTT

INSTALLATION INSTRUCTIONS

Review this entire page before installing the ULTT.

Consult the factory in the event there are any questions or problems at the time of installation, or for information regarding optional features not covered by the owner's manual.

- Modifications or additions to the ULTT without prior manufacturer's authorization may void the unit's warranty. The addition of ancillary equipment to the platform may necessitate that its load capacity be reduced.
 - The installation must be made so that it complies with all the regulations applicable to the machine and its location. The end-user must verify that the supplied equipment is installed so it will be suited to the environment in which it will be used.
 - Installation must be performed by suitably trained personnel with access to the appropriate equipment. The electrical aspects of the installation should be performed by an electrician.
-

For a typical installation you will need the following:

1. A fork truck or hoisting means to unload the ULTT from the freight truck and set it into place.
 2. A smooth, level, and adequately strong concrete surface on which to mount and operate the ULTT.
 3. Concrete anchors, a masonry drill, a masonry bit, hand tools, grout, and steel shims. Consult the building's architect or facility engineer to determine the best size and type of hardware with which to anchor the machine to the floor.
 4. A power supply circuit and electrical disconnect matching the motor voltage and current requirements. Refer to the machine's dataplate, to the labels on the control enclosure, and to the electrical section in this manual for more information. The end-user is responsible for supplying the branch circuit's required ground fault and short-circuit protection. (Motor overload protection is provided by a thermostat built into the motor.)
-

1. Move the tilter into place with a fork truck having the proper capacity and work load rating.
2. Temporarily connect the power supply to the pigtail cord supplied with the ULTT, and raise the platform so the unit's safety maintenance prop(s) can be utilized. Lower the platform so the unit is supported by the prop(s).
- The maintenance prop is located on the outside of the frame. It is a flat bar. To install the prop, raise the platform to its fully raised height and insert the tapered end into the corner of the deck (opposite the cradle end). Lower the deck unit it rests on the prop.
 - If the platform must be raised without first having the proper power supply connected, raise the platform at the side of the table opposite the platform cradle. Use rigging or insert a lift truck's forks under the front edge of the platform to tilt the platform up. Hold the frame down at the ends of the shipping 4 x 4's on the hinged side of the ULTT while the platform is raised.
3. Anchor the frame to the floor through the holes located at the frame's corners. (Non-portable units only.)
4. Make permanent connection to the power supply, using an appropriate wiring method.
5. Operate the ULTT through several full raise and lower cycles. Verify that the upper travel limit switch functions properly.
6. Check the hydraulic oil level. It should be filled to within 1" to 1½" of the reservoir's fill hole. If oil is needed, use an anti-wear hydraulic oil with a viscosity grade of 150 SUS at 100°F (ISO 32 at 40°C) or a non-synthetic automatic transmission fluid.
7. Clean up any debris or spilled oil, and verify that all of the warning and safety labels are intact.

OPERATION INSTRUCTIONS

- Consult ANSI MH29.2 - 2000, Safety Requirements for Industrial Tilters, Section 12, for the owner's / user's responsibilities regarding the operation, care, and maintenance of this machine.
- Ensure that all employees involved in the operation of this machine understand and follow these instructions!

The standard model ULTT is suitable for use indoors in most industrial locations and many commercial locations. It is intended to be used to lift and tilt stable, non-hazardous loads and containers having a size or footprint approximately the same size as the platform.

Loading:

The load rating, in pounds, is shown on the machine dataplate located on the right front corner of the loading (opposite the backstop) side of the platform. It indicates the net capacity of the machine, with a static load that is centered and evenly distributed on the platform and having a vertical center of gravity not more than 20" above the platform surface.

For applications involving side loading or loads with higher centers of gravity, consult the manufacturer.

The standard design ULTT is intended to be loaded with a fork truck or similar material handling equipment.

Always center the load, and place it up against the back cradle of the platform to prevent sudden load shifting when the platform is tilted.

Do not exceed a rate of two feet per second when moving loads onto the platform.

Note: The addition of any ancillary equipment to the platform by third parties must be taken into account when determining the maximum working load to be placed on the platform.

Warning: Do not exceed the ULTT's load ratings. Injury to personnel or permanent damage to the structure could result from exceeding the listed capacity.

Operation:

Warning: Keep all personnel clear of the machine when it is in operation. Be certain no part of any person or object is under any part of the platform before lowering the unit.

Caution: Always carefully watch the container and any load in it when it is in operation.

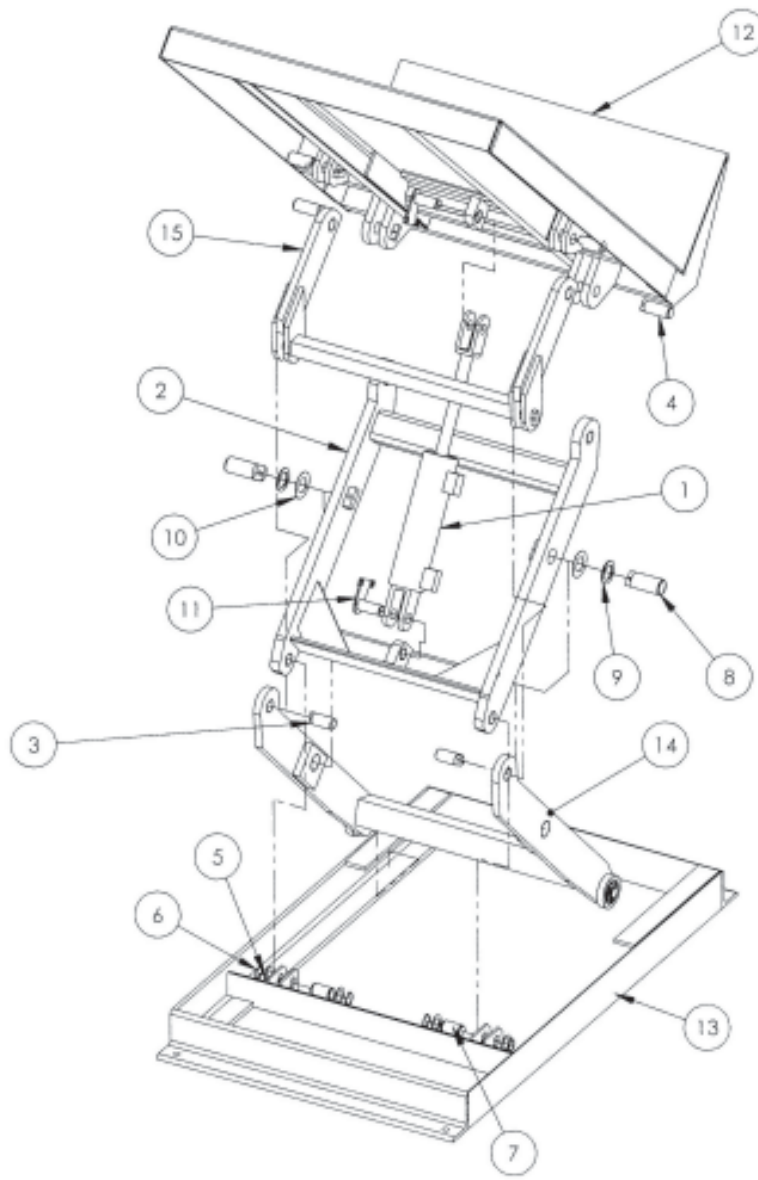
- To raise / tilt the platform back toward the operator, press the "UP" pushbutton.
- To lower the platform toward the floor, press the "DN" pushbutton.
- When a pushbutton is not being pressed, the unit will hold its position wherever it is in its travel range.

Ensure that all safety and warning labels stay in place and are legible. Refer to the labels page in this manual.

ROUTINE MAINTENANCE & SAFETY CHECKS

- *Warning: Care should be taken to identify all potential hazards and comply with applicable safety procedures before beginning work.*
 - *Warning: Raise the platform and install the maintenance props before beginning any inspections or work on the unit.*
 - *Only qualified individuals trained to understand mechanical devices and their associated electrical and hydraulic circuits should attempt troubleshooting and repair of this equipment*
- (A) Before each use inspect for the following:
- 1.) Frayed wires
 - 2.) Oil leaks
 - 3.) Pinched or chafed hoses
 - 4.) Damage or structural deformation to the structural members, the cylinder brackets, etc.
 - 5.) Unusual noise or binding, or evidence thereof.
- (B) Inspect monthly for:
- 1.) The oil level. Oil should be 1½" to 2" below the reservoir's fill hole with the lift in the fully raised position. See below for oil specification.
 - 2.) Worn or damaged hydraulic hoses and electrical wires.
 - 3.) Pivot point wear.
 - 4.) Rollers' looseness and wear.
 - 5.) Integrity of the retaining rings on all rollers and on all pivot point pins.
 - 6.) The integrity of the frame anchor bolts, and for cracks in the concrete around them.
 - 7.) Unusual noises or movement during operation.
 - 8.) All the information, safety, and warning labels being in place and in good condition.
 - 9.) The need to clean off dirt and debris.
- (C) Yearly inspection
- The oil should be changed if the oil darkens, becomes gritty, or turns a milky color (indicating the presence of water). Replace with an anti-wear hydraulic oil with a viscosity grade of 150 SUS at 100°F, (ISO 32 at 40°C). Ex: AW 32 or HO 150 hydraulic oil, or a non-synthetic transmission fluid. You may use a synthetic transmission fluid if you flush the system with the synthetic fluid before filling the reservoir.

EXPLODED PARTS VIEW



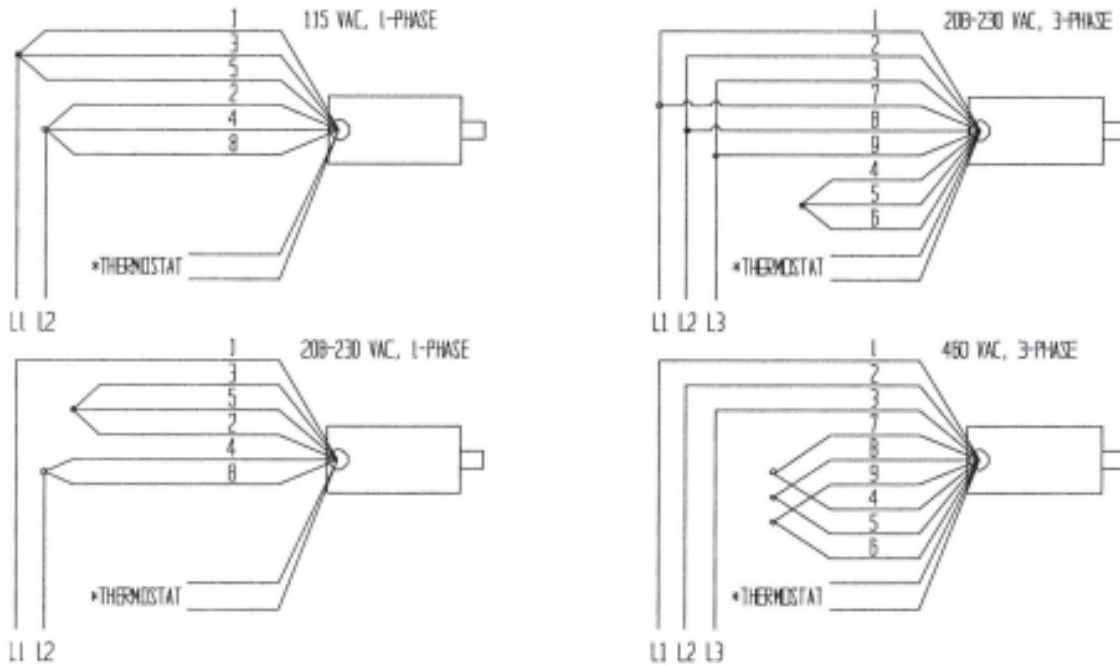
ITEM NO.	DESCRIPTION	PART NO.	QTY.
1	Ø3" X 8" STROKE CYLINDER	02-021-001	1
2	SUB-ASS'Y, LEG, INNER	03-510-010	1
3	PIN, SCISSOR PIVOT	01-112-008	4
4	PIN, HINGE, WL-100	05-112-002	2
5	1-1/8 ID X 18GA MACHINE BUSHING	33454	4
6	Ø1-1/8 EXTERNAL RETAINING RING	68021	4
7	PIN, ROLLER	01-112-004	2
8	PIN, SCISSOR PIVOT	27-112-005	2
9	SHIM/SPACER, 1-1/2 ID X 2-1/4 OD X 10GA	03-113-001	2
10	WASHER, THRUST BEARING	01-115-002	2
11	HINGE PIN ASS'Y (EM)	03-612-002	2
12	DECK, ASSEMBLY	03-513-056	1
13	WELDMENT, BASE FRAME	03-514-051	1
14	SUB-ASS'Y, LEG, OUTER	03-510-011	1
15	LEG, ASS'Y UPPER	03-510-012	1
16	BOSS, MAINTENANCE PROP	24-020-009	1
17	MAINTENANCE PROP, ULTT	ULTT PROP	1
18	BRACKET, TOE GUARD LIMIT SWITCH	01-016-001	1
19	EXTERNAL RETAINING RING, 1" DIA SHAFT	68019	1

MOTOR AND TRANSFORMER CONNECTION DIAGRAMS

CAUTION!

If the motor voltage is changed, the wire on the control transformer's primary wire has to be changed to match the new motor voltage also.

MOTOR LEAD CONNECTION DIAGRAM FOR ALL
.5HP, .75HP AND 3HP SINGLE-PHASE MOTORS AND FOR
ALL 2HP, 5.5HP, AND 8.5HP THREE-PHASE MOTORS

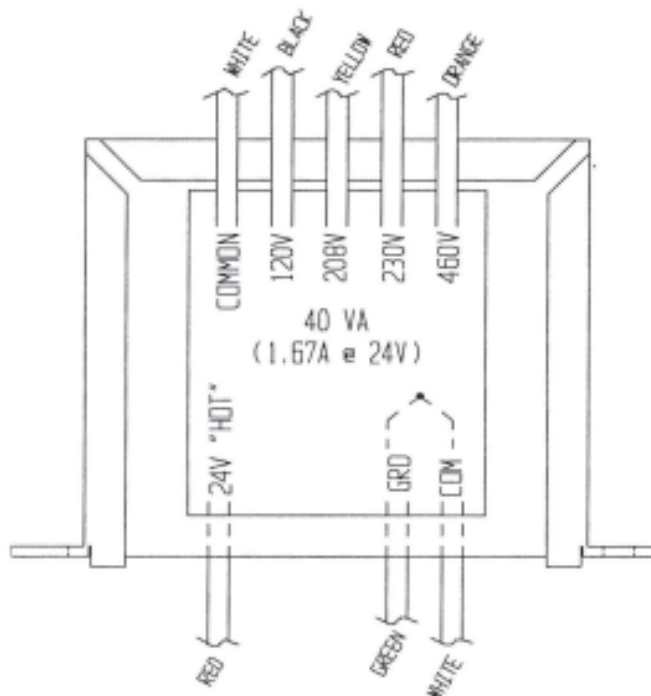


+ The two thermostat leads go to: 1) the grounded side of the transformer secondary, and; 2) the motor relay coil, in either order.



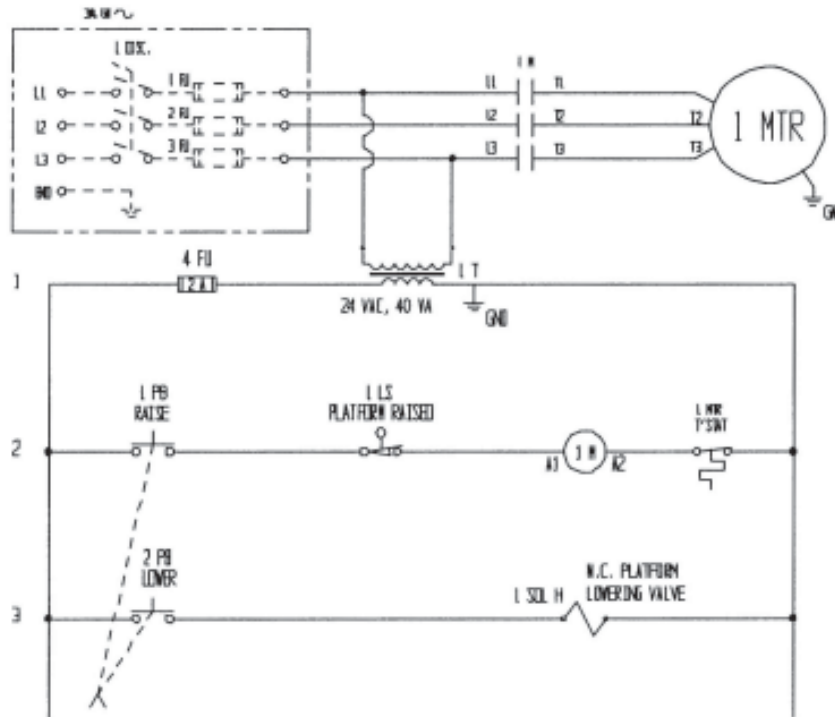
BE SURE ALL POWER IS OFF BEFORE ATTEMPTING TO WORK ON THIS EQUIPMENT!

CAUTION: SERVICE WORK SHOULD BE PERFORMED ONLY BY TRAINED & QUALIFIED PERSONNEL.



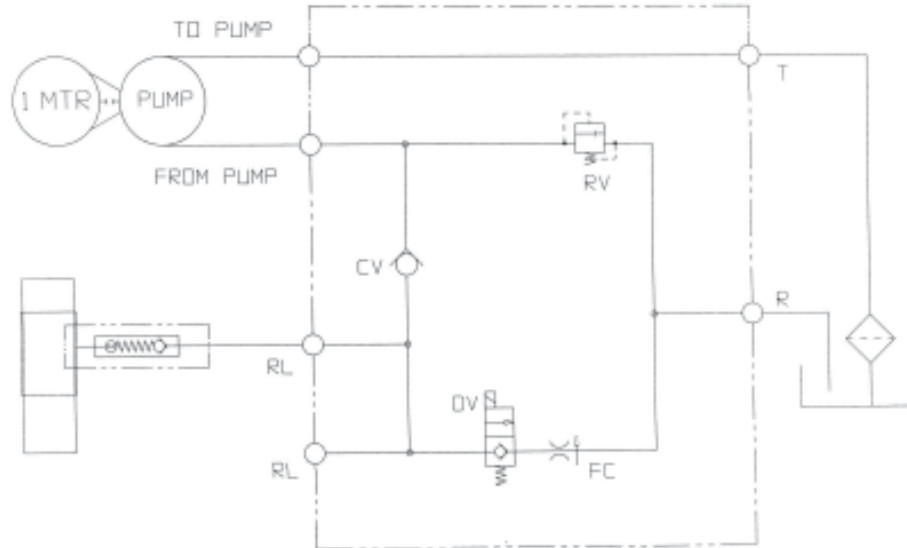
ELECTRICAL DIAGRAM

- *Warning: Care should be taken to identify all potential hazards and comply with applicable safety procedures before beginning work. Fully lower or secure the platform with the maintenance props, and ensure that all system pressure and power have been removed, before attempting to work on the electrical or hydraulic systems.*
- *Raise the platform and install the maintenance props before beginning inspections or work on the unit.*
- *Only qualified individuals trained to understand mechanical devices and their associated electrical and hydraulic circuits should attempt troubleshooting and repair of this equipment.*



HYDRAULIC DIAGRAM - LIFT-HOLD-LOWER CIRCUITS

- *Warning: Care should be taken to identify all potential hazards and comply with applicable safety procedures before beginning work. Fully lower or secure the platform, and ensure that all system pressure and power have been removed, before attempting to work on the electrical or hydraulic systems.*
- *Only qualified individuals trained to understand mechanical devices and their associated electrical and hydraulic circuits should attempt troubleshooting and repair of this equipment*
- *Caution: Do not use brake fluid or jack oils in the hydraulic system. If oil is needed, use an anti-wear hydraulic oil with a viscosity of 150 SUS at 100°F (ISO 32 @ 40°C), or non-synthetic transmission fluid.*



NO.	QTY.	PART NO.	DESCRIPTION
			ELECTRICAL PARTS:
1	1	01-135-XXX	MOTOR; VARIES BY CUSTOMER SPEC; CONTACT FACTORY
2	1	LC1-D1810-24V	MOTOR CONTACTOR, 30A, W/24 VAC COIL
3	1	01-129-001	TRANSFORMER, CONTROL; W/24 VAC SECONDARY
4	1	AGC 2	FUSE, FOR CONTROL CIRCUIT
5	1	01-029-006	CONTROL ENCLOSURE, 6"W X 6"L X 4"D
6	1	01-522-015	PUSHBUTTON CONTROL ON 8' CORD
7	1	99-034-008	SOLENOID COIL, 24 VAC
8	1	01-033-017	CONNECTOR CORD, FOR SOLENOID COIL
9	1	01-033-015	CORD, POWER, 14/3, 9' LONG, W/NEMA 5-15 PLUG (115V UNITS)
10	1	01-022-001	LIMIT SWITCH, ROLLER-ARM (N.C.)
11	1	01-033-002	CABLE, 18/2 COIL CORD, 12"-60" (TO TOE GUARD SWITCHES)
12	2	159/D	MULTI-POLE TERMINAL STRIP
			HYDRAULIC PARTS:
13	1	99-153-006	VALVE, RELIEF, 210 BAR
14	1	99-153-015	VALVE, SOLENOID, N.C.
15	1	99-153-011	VALVE, CHECK
16	1	99-153-040	FLOW CONTROL SPOOL, 2 GPM
17	1 OR 2	99-021-XXX	CYLINDER, DISPLACEMENT; VARIES BY MODEL; CONTACT FACTORY
18	1 OR 2	99-136-XXX	CYLINDER SEAL KIT; VARIES BY MODEL; CONTACT FACTORY
19	1	99-127-001	MANIFOLD, LIFT-HOLD-LOWER
20	1	01-143-XXX	PUMP, HYDRAULIC; VARIES BY MODEL; CONTACT FACTORY
21	1	DPS-40-N06	BREATHER PLUG
22	1	01-031-005	FITTING, INTAKE SCREEN
23	1-1/2	HO 150	HYDRAULIC FLUID (GALLONS)

THE POWER UNIT'S OPERATION

The electric / hydraulic ULTT utilizes an electric motor directly coupled to a gear-type hydraulic pump to produce the needed fluid pressure and flow to allow the cylinders to perform the work of tilting a container or pallet.

A hydraulic manifold houses the hydraulic control components, and is bolted directly onto the gear pump.

The power unit's hydraulic components are all rated for 3,000 psi working pressure.

Important parts of the power unit include:

- The electric motor. Motors are available for operation on single- or three-phase AC supplies (all are dual-voltage capable).
- The gear pump. Its shaft is coupled directly to the shaft of the electric motor. Several displacements are available, depending on the motor horsepower used.
- The check valve. Its purpose is to prevent the backflow of fluid through the pump. In this way it allows the platform to be held at a given elevation indefinitely.
- The pressure relief valve. Its job is to open a path for fluid to flow back to the reservoir in the event that the fluid pressure built up by the pump exceeds 3,000 psi. Thus the system cannot see more than 3,000 psi.
- The lowering solenoid valve. This is an electrically-operated cartridge valve. It contains a screen to keep contaminants from entering the valve.
- The pressure-compensated flow control spool. This regulates the fluid flow back to the reservoir when the valve opens. It allows the platform to always lower at the same rate regardless of whether there is a load on the platform or not. Several sizes are available.
- The hydraulic lifting cylinder(s). This is a displacement style cylinder. The cylinder has a bleeder valve located at the blind end to allow air to be bled from the hydraulic system. See the note below to bleed air from the cylinder.
- The safety velocity fuse. This is a device that is installed in the cylinder's hose port. It closes quickly in the event of a catastrophic hose failure to prevent the platform from collapsing down. The platform will remain stationary until pressure is reapplied to the system.
- The hydraulic fluid. The system uses HO150 hydraulic fluid. Any anti-wear hydraulic fluid with a viscosity grade of 150 SUS at 100°F (ISO 32 @ 40°C) such as AW-32 or Dexron transmission fluid are acceptable.

- When the platform is to be tilted, press the "RAISE" pushbutton.

The motor turns, and in turning it spins the hydraulic gear pump. Oil is drawn from the reservoir through the suction filter and into the pump.

The pump pushes the pressurized oil through the check valve and out to the lift cylinder(s).

Releasing the pushbutton at any point will stop the motion, and the platform will hold at that height and angle.

An upper travel limit switch turns off the motor when the platform is at its full lift height or tilt angle.

- When the platform is to be lowered, press one of the "LOWER" pushbuttons.

The lowering valve opens, bypassing the check valve and allowing the oil in the cylinder to return back to the reservoir through the return hose. The rate at which the platform lowers is regulated by the internal pressure-compensated flow spool.

Releasing the pushbutton at any point will stop the motion, and the platform will hold at that height and angle.

- In the event that the platform creeps down slowly after releasing a "LOWER" control, it will be necessary to remove the lowering cartridge valve for inspection and cleaning, as follows:

- Remove any load from the platform.
- Raise the platform, install the maintenance prop, and lower the platform until the unit rests on the prop.
- Remove the nut holding the solenoid coil on the valve stem, then remove the coil, and then unscrew the valve from the manifold.
- Inspect the valve for contaminants, and the valve's o-rings and back-up washers for cuts, tears, or other damage.
- With the valve immersed in mineral spirits or kerosene, use a thin tool such as a small screwdriver or a small hex wrench to push the poppet in and out several times from the bottom end of the valve. The valve should move freely, about 1/16" from closed to open position. If it sticks in, the valve stem could be bent and will need to be replaced if it doesn't free up after cleaning. Blow the valve off with a compressed-air gun while again pushing the poppet in and out.
- Inspect the bottom of the manifold's valve cavity for contaminants.
- Again with the thin tool, press on the middle of the flow control spool located in the bottom of the cavity. It should move down and back up freely.
- Reinstall the valve into the manifold, tightening the valve with approximately 20 lb-ft of torque.

- If the platform lowers extremely slowly, or not at all, the cylinder's velocity fuse could be closing. This can be caused by air in the hydraulic cylinder. To bleed the air from the system:

- Remove any load from the platform.
- Raise the platform, install the maintenance prop, and lower the platform until the unit rests on the prop.
- Drop the rod end of the cylinder down out of its push cup, hold a rag over the cylinder's bleeder valve (it looks like a grease zirk) and open the valve about ½ turn with a 5/16" wrench. Push the cylinder rod in. Oil and air will sputter from the valve – once no air is observed, close the bleeder valve and reinstall the cylinder rod into its push cup.

TROUBLESHOOTING GUIDE




Warning: Before performing any task under the platform, remove any load, install the maintenance prop and disconnect the power supply.

Consult the factory for problems at time of installation, or for any problems not addressed below.

<u>Problem:</u>	<u>Possible Cause(s):</u>	<u>Action:</u>
Power unit doesn't run when "UP" button is pressed.	Transformer fuse is blown. No supply voltage. Upper-travel limit switch is engaged or bad. Bad connection in control circuit. Bad control transformer. Open motor relay coil. Battery voltage low (DC units).	Test with meter; replace if bad. Test with meter. Check fuses, breakers, and overloads to determine the cause. Inspect and test switch. Replace if bad. Test all parts of circuit with meter. Check for 24 VAC; replace if bad. Test with meter; replace if bad. Test with meter. Charge battery if low (is motor relay LED on?)
Motor runs properly, platform doesn't move. Motor and pump not noisy.	Motor rotation is wrong. Pump has failed. Fluid level is low.	Verify motor shaft rotates CCW. Consult factory for replacement. Ensure reservoir is filled.
Motor or control enclosure hums, chatters, or buzzes, or some type of squeal can be heard; the platform does not move, or the platform moves only slowly..	See second item above, for when platform doesn't raise. Excess voltage drop to motor, due to power wire size too small, wire run to long, or incoming voltage too low. Motor is "single-phasing". Pressure relief opening at full pressure. Contamination holding open the lowering valve or the check valve.	Same as above. Check power installation for adequacy. Check incoming voltage <i>while motor is running</i> . Correct problem found. Determine cause of loss of voltage on one phase; correct. Check for structural damage or binding of the scissor legs, etc. Check for platform overload condition. Remove and inspect. Clean per instructions in this manual.
Platform raises, then drifts down.	See last paragraph, above.	Same as above.
Platform lowers too quickly.	See above. Flow control spool is stuck.	Same as above. See below.
Platform lowers too slowly.	Flow control spool is stuck. Pinched hose. Velocity fuse locking (platform only slowly creeps down).	Remove plug from FC port; push on flow spool to ensure it is fully pressed into the cavity. Check pressure, supply, and return hoses for kinks. Same as for jerky platform motion.
Platform won't lower.	Velocity fuse locking. Control transformer fuse blown. No supply voltage. Valve solenoid is bad. Bad connection in control circuit. Physical blockage of the structure. Solenoid valve or suction hose screen plugged.	Same as for jerky platform motion. Test with meter; replace if bad. Test with meter. Check for cause of power loss. Check with multimeter on diode-check function. (Reading for ohms will not provide an accurate test of the coil.) Test all parts of circuit with meter. Inspect for foreign material or objects that might block the platform. Remove and inspect. Clean per instructions in this manual.
Spongy or jerky platform motion.	Excessive air in the hydraulic cylinders.	Bleed air per procedure described in this manual.

SAFETY LABEL IDENTIFICATION

• Product safety signs or labels should be periodically inspected and cleaned by the product users as necessary to maintain good legibility for safe viewing distance — ANSI 535.4 (10.21). Contact the manufacturer for replacement labels.

<p>DANGER</p> <p>PELIGRO</p> <p>ATTENTION</p> <p>T&S Equipment Company</p>	<p>TO AVOID PERSONAL INJURY READ OWNER'S MANUAL BEFORE OPERATING OR REPAIRING SCISSOR LIFT.</p>	 <p>DO NOT PUT HANDS, FEET OR OBJECTS UNDER TOP. LOWER PLATFORM SLOWLY.</p>	 <p>DO NOT WORK UNDER LIFT WITHOUT SAFETY BLOCK OR WHILE LOADED. KEEP CLEAR OF MOVING SCISSOR LEG MECHANISM.</p>	 <p>DO NOT STAND, SIT OR RIDE ON LIFT.</p>
	<p>PARA EVITAR DAÑOS PERSONALES LEA EL MANUAL DEL PROPIETARIO ANTES DE OPERAR O REPARAR EL ELEVADOR DE TIJERAS.</p>	<p>NO PONGA MANOS, PIES U OBJETOS DEBAJO DEL BORDE. DESCienda LA PLATAFORMA LENTAMENTE.</p>	<p>NO TRABAJE DEBAJO DEL ELEVADOR SIN LOS FRENOS DE SEGURIDAD O CUANDO ESTÉ CARGADO. MANTENGASE ALEJADO DEL MECANISMO DE TIJERA EN MOVIMIENTO.</p>	<p>NO SE SIENDE. SE PARE, O VIAJE EN EL ELEVADOR.</p>
	<p>POUR ÉVITER TOUTE BLESSURE PERSONNELLE LIRE LE MANUEL D'UTILISATION AVANT DE METTRE EN MARCHÉ OU AVANT DE RÉPARER L'ÉLEVATEUR CISEAU.</p>	<p>NE PAS METTRE LES MAINS, LES PIEDS OU TOUT OBJET SOUS LE PLATEAU SUPÉRIEUR. DESCENDRE LA PLATE-FORME LENTEMENT.</p>	<p>NE PAS TRAVAILLER SOUS L'ÉLEVATEUR SANS BLOCS DE SÉCURITÉ OU LORSQU'IL EST CHARGÉ. RESTER À L'ÉCART DU MÉCANISME CISEAU LORSQUE L'ÉLEVATEUR EST EN FONCTIONNEMENT.</p>	<p>NE PAS SE TENIR DEBOUT, S'ASSÉOIR OU MONTER SUR L'ÉLEVATEUR.</p>

207

▲ WARNING	▲ ADVERTENCIA	▲ AVERTISSEMENT
KEEP CLEAR OF PINCH POINT	MANTENGASE ALEJADO DEL PUNTO DE CORTE	SE TENIR À DISTANCE DU POINT DE PINCEMENT
<p>VESTIL MANUFACTURING CORPORATION • Phone (260) 665-7586 • Fax (260) 665-1339 • sales@vestil.com • www.vestil.com</p>		

206

▲ WARNING	▲ ADVERTENCIA	▲ AVERTISSEMENT
KEEP CLEAR WHEN IN USE	MANTENGASE ALEJADO CUANDO SE ESTA OPERANDO	SE TENIR À DISTANCE LORS DU FONCTIONNEMENT
<p>VESTIL MANUFACTURING CORPORATION • Angola, Indiana USA • Phone (260) 665-7586 • sales@vestil.com • www.vestil.com</p>		

Both Sides 220



VESTIL MANUFACTURING CORPORATION
 Phone (260) 665-7586 • Fax (260) 665-1339
 E-mail: sales@vestil.com • www.vestil.com

577

By Reservoir Fill Hole

ISO 32 / 150 SUS	
HYDRAULIC OIL OR NON-SYNTHETIC TRANSMISSION FLUID	
ACEITE HIDRAULICO O LIQUIDOS DE TRANSMISION NO SINTETICOS	
HUILE OU LIQUIDE HYDRAULIQUE NON-SYNTHÉTIQUE	
	206
	Rev. 1003
VESTIL MANUFACTURING CORPORATION • Phone (260) 665-7586 • www.vestil.com	

206

NOTICE	NOTA	AVIS
POWER SUPPLY: 115 V/1 Phase/60 HZ		
CONTROL VOLTAGE: 24 V AC		
CORRIENTE: 115 Volt/1 Fase/60 HZ		
VOLTAJE DE CONTROL: 24V CA		
ALIMENTATION ÉLECTRIQUE: 115 V/1 Monophase/60 HZ		
VOLTAGE DE CONTRÔLE: 24V AC		
248		

248-251

▲ DANGER	ELECTRICAL SHOCK Shut power off and consult owners manual before working on this equipment.
▲ PELIGRO	EI GOLPE ELECTRICO Corte la corriente consulte el manual de propietario antes de trabajar en este equipo.
▲ DANGER	CHOC ELECTRIQUE Couper le courant et consulter le manuel d'utilisation avant de travailler sur cet équipement
<p>VESTIL MANUFACTURING CORPORATION Angola, Indiana USA • Phone (260) 665-7586 • Fax (260) 665-1339 • www.vestil.com 221 Rev 0305</p>	

221

Alternating Corners

204

▲ WARNING	▲ ADVERTENCIA	▲ AVERTISSEMENT
SECURE FRAME TO FLOOR	ASEGURE EL BASTIDOR AL PISO	FIXER SOLIDEMENT LE CADRE AU PLANCHER
<p>VESTIL MANUFACTURING CORPORATION • Phone (260) 665-7586 • Fax (260) 665-1339 • sales@vestil.com • www.vestil.com</p>		

204

POWERED PRODUCTS WARRANTY

ONE YEAR LIMITED WARRANTY

The manufacturer warrants for the original purchaser against defects in materials and workmanship under normal use one year after date of shipment (not to exceed 15 months after date of manufacture). Any part that is determined by the manufacturer to be defective in material or workmanship and returned to the factory, shipping costs prepaid, will be, as the exclusive remedy, repaired or replaced at our option. Labor costs for warranty repairs and/or modifications are not covered unless done at manufacturer's facilities or pre-approved in advance by the manufacturer. Any modifications performed without written approval of the manufacturer may void warranty. This limited warranty gives purchaser specific legal rights which vary from state to state.

All specifications are subject to change without notice.

LIMITATION OF LIABILITY

To the extent allowable under applicable law, the manufacturer's liability for consequential and incidental damages is expressly disclaimed. The manufacturer's liability in any event is limited to, and shall not exceed, the purchase price paid. Misuse or modification may void warranty.

Warranty does not cover labor or consequential damages including, but not limited to, business interruption costs, lost profits, or lost business opportunities.

WARRANTY DISCLAIMER

The manufacturer has made a diligent effort to accurately illustrate and describe their products. However, such illustrations and descriptions are for the sole purpose of identification, and do not express or imply a warranty that the products are merchantable or fit for a particular purpose, or that the products will necessarily conform to the illustrations or descriptions.

The provisions of the warranty shall be construed and enforced in accordance with the Uniform Commercial Code and laws as enacted in the State of Indiana.

DISPOSITION

Our company will make a good faith effort for prompt correction or other adjustment with respect to any product that proves to be defective within the Limited Warranty Period. Warranty claims must be made in writing within said year.