

# OPERATOR MANUAL BOTTOM ROLL TROLLEY

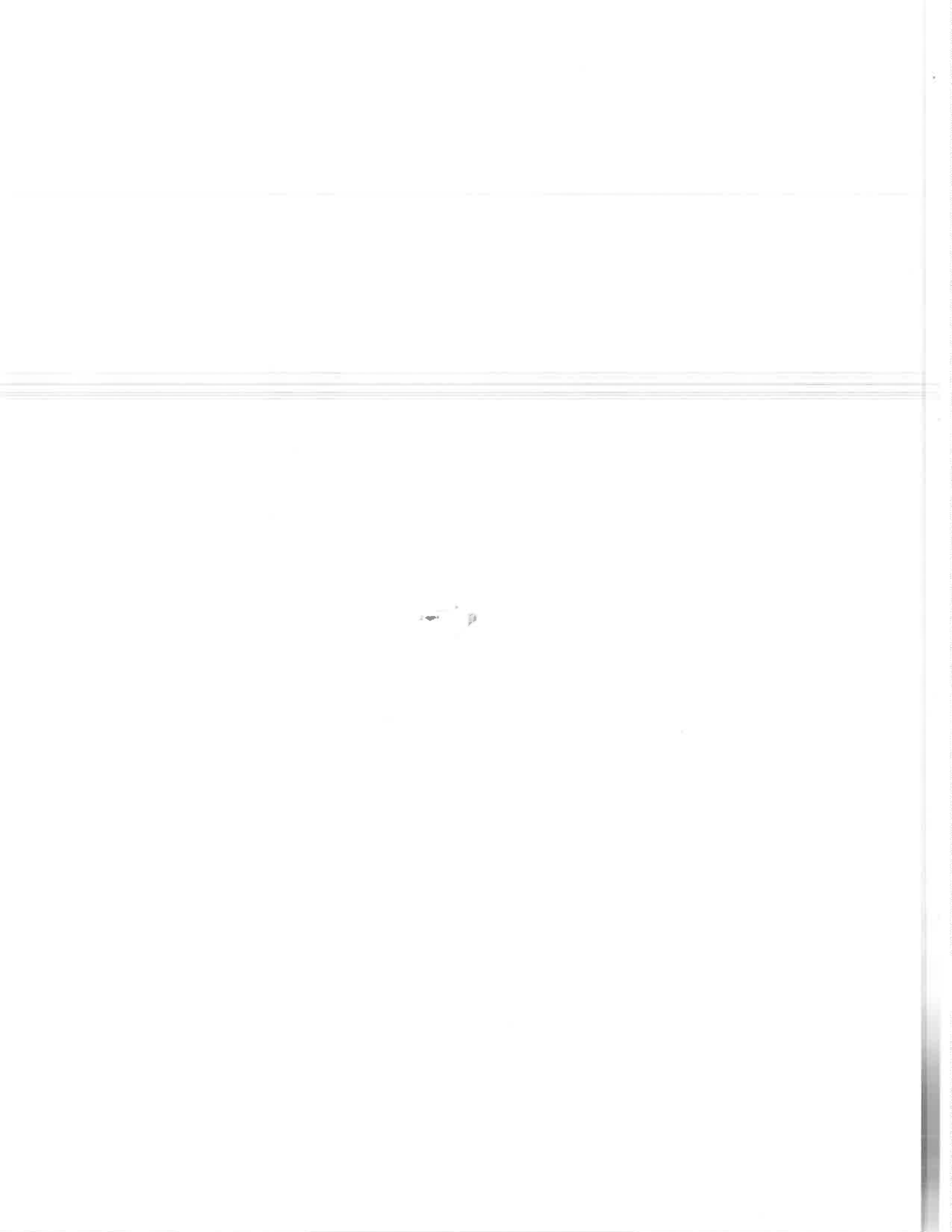
MRS

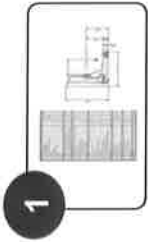


ULIMA Inoctruck  
Obispo Oñativu, 10 - 20560 Oñati (Gipuzkoa)  
Tel: +34 943 848 943  
[info@ulmainoctruck.com](mailto:info@ulmainoctruck.com) [www.ulmainoctruck.com](http://www.ulmainoctruck.com)



UENUMRS1218





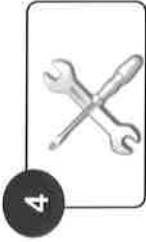
1.....1



2.....2



3.....3



9.....9







12.....12



13.....13

5.2

<p>1</p> <p><b>O<sub>2</sub></b></p> <p>5 bar</p>	
<p>2</p> 	
<p>3</p> <p><b>H<sub>2</sub>O</b></p> <p>5 bar</p>	

6










[www.ulmainoxtruck.com](http://www.ulmainoxtruck.com)



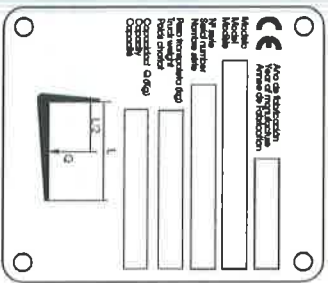
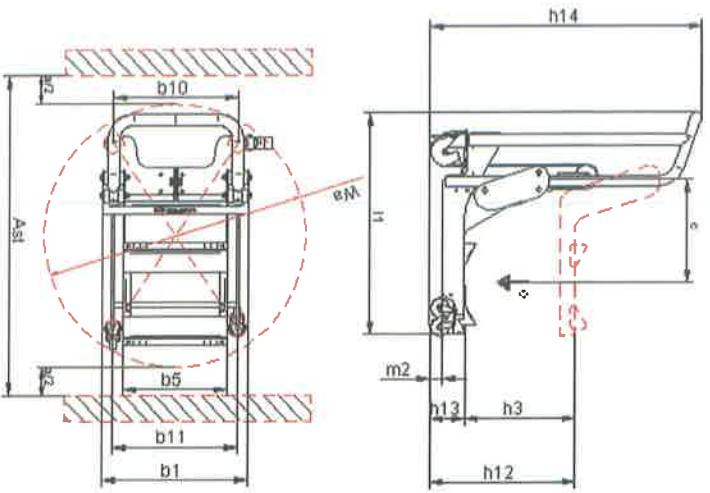
5

5.1

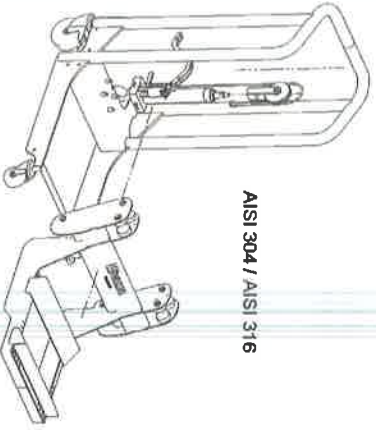
1	<p><b>H<sub>2</sub>O</b></p> <p><b>Max 30 bar</b></p>	
2		
3	<p><b>H<sub>2</sub>O</b></p> <p><b>5 bar</b></p>	
4		
5	<p><b>H<sub>2</sub>O</b></p> <p><b>5 bar</b></p>	

1

Characteristics			
1.1	Manufacturer (Abbreviation)	ULMA	ULMA
1.2	Manufacturer's model designation	Inoxtruck MRS 400	Inoxtruck MRS 400
1.4	Operator type: pedestrian, operator standing, seated		Manual
1.5	Load capacity	Q	kg 400
1.6	Load center distance	c	mm 400
1.10	Chassis		AISI 304L
1.11	Sheet		AISI 304L
<b>Roll</b>			
2.11	Diameter (maximum)		mm 600
2.22	Width		mm 720
2.33	Weight		kg 400
<b>Wheels and Drive Train</b>			
3.1	Tyres: P=Polyurethane, PT=Power Thane, Vul=Vulkollan, drive/load side		PA/PA
3.2	Tyre dimensions, drive side		125 X 36
3.3	Tyre dimensions, load side		80 X 28
3.5	Number of wheels, drive/load side (x=driven)		2/2
3.6	Track width (center of tyres), drive side		b10 mm 480
3.7	Track width (center of tyres), load side		b11 mm 480
<b>Dimensions</b>			
4.4	Lift height		h3 mm 450
4.9	Height of handgrip		h14 mm 1100
4.15a	Fork height, fully lowered		h13 mm 140
4.15b	Fork height, fully extended		h12 mm 590
4.20	Overall length		l1 mm 890
4.25	Outside width over forks (minimum/maximum)		b1 mm 585
4.32	Ground clearance at center of wheelbase (forks lowered)		m2 mm 50
4.34a	Working aisle width (Ast) load		Ast mm 1270

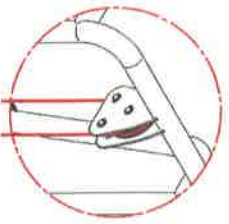
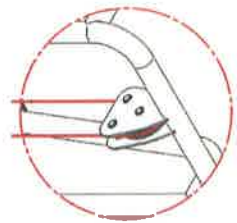


2

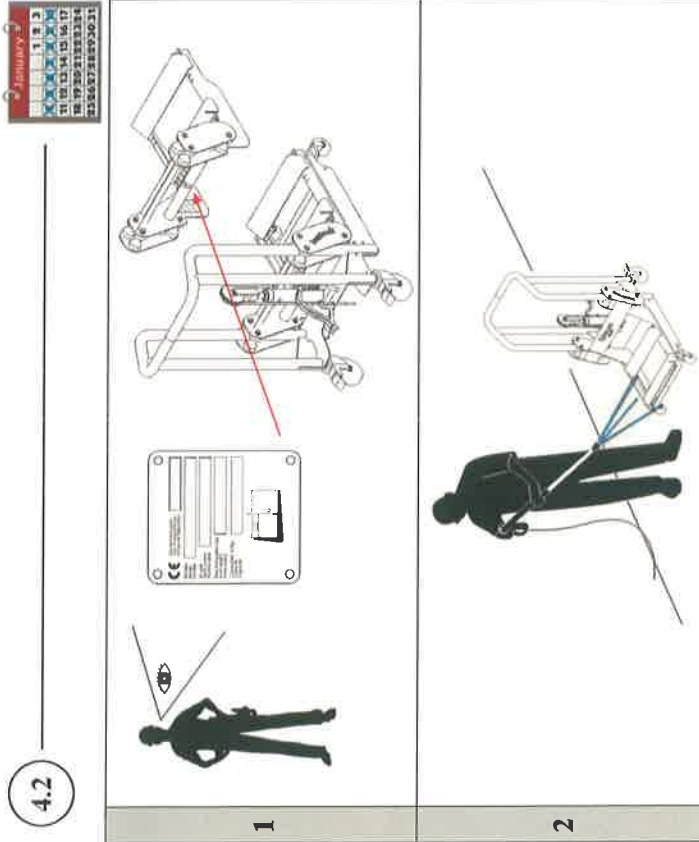


4.4

YEARLY

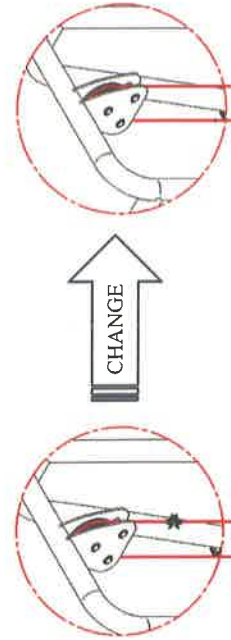


4.2



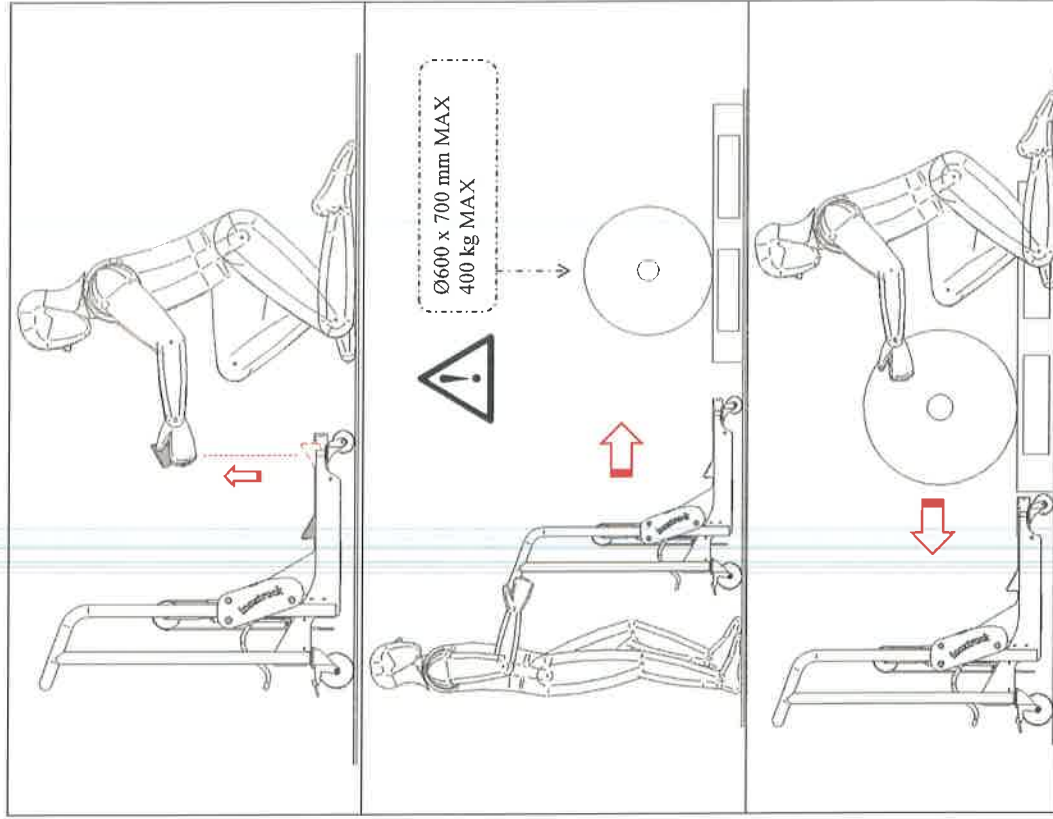
4.3

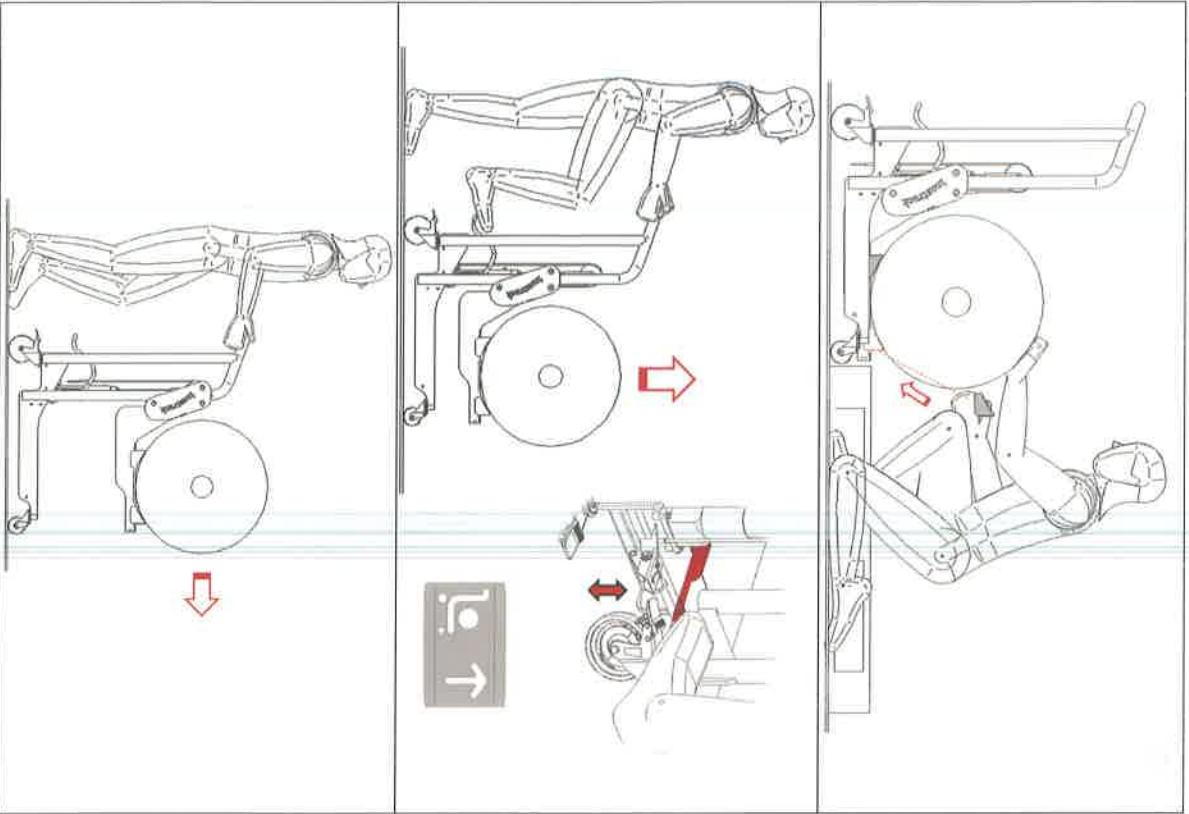
IF IT IS DAMAGED



3

3.1

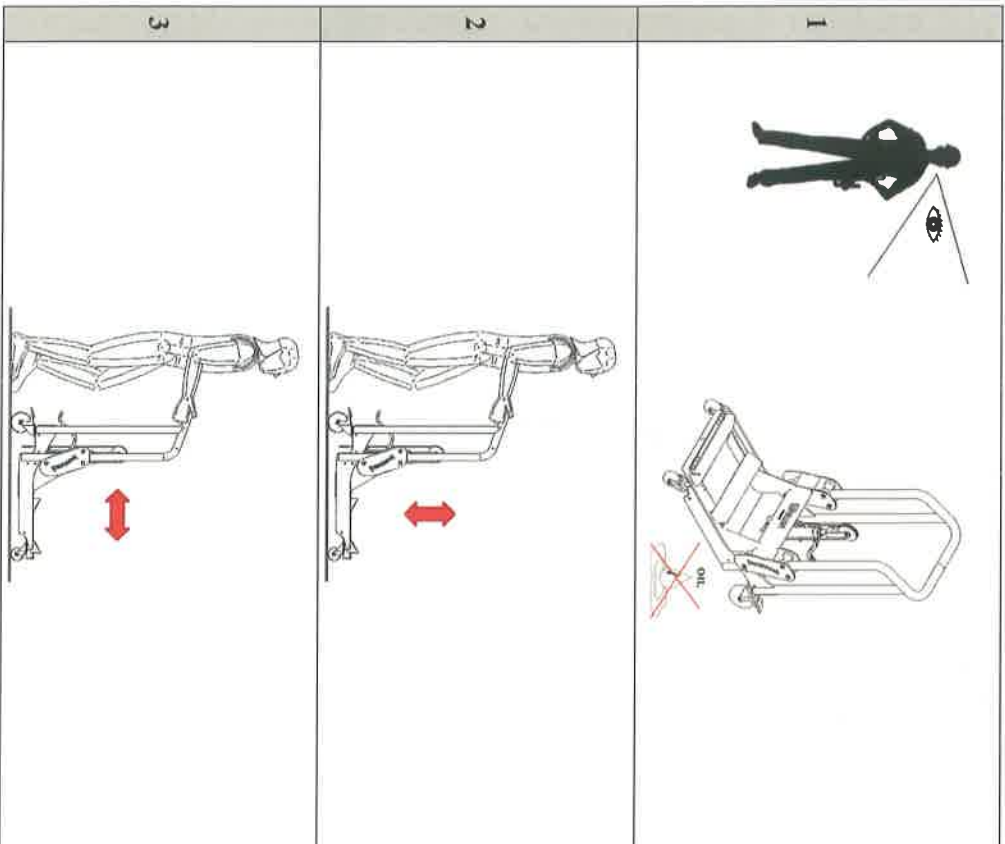




4

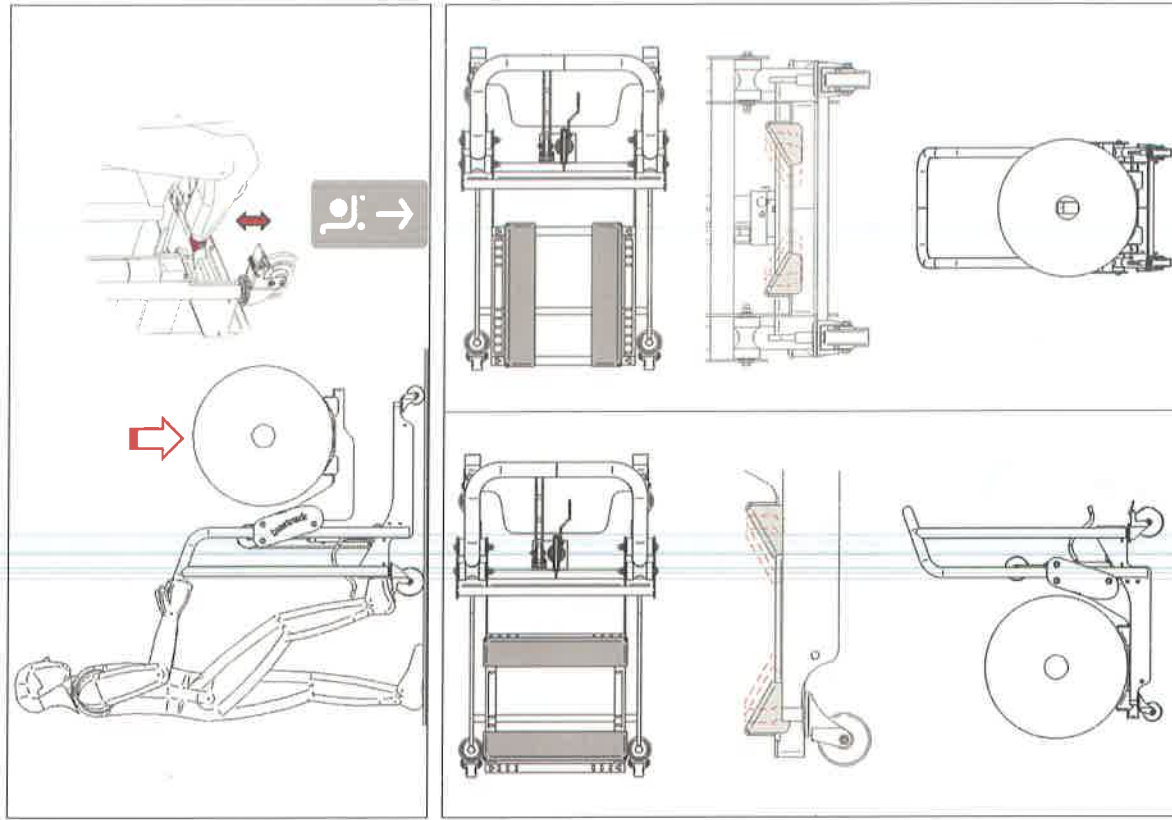
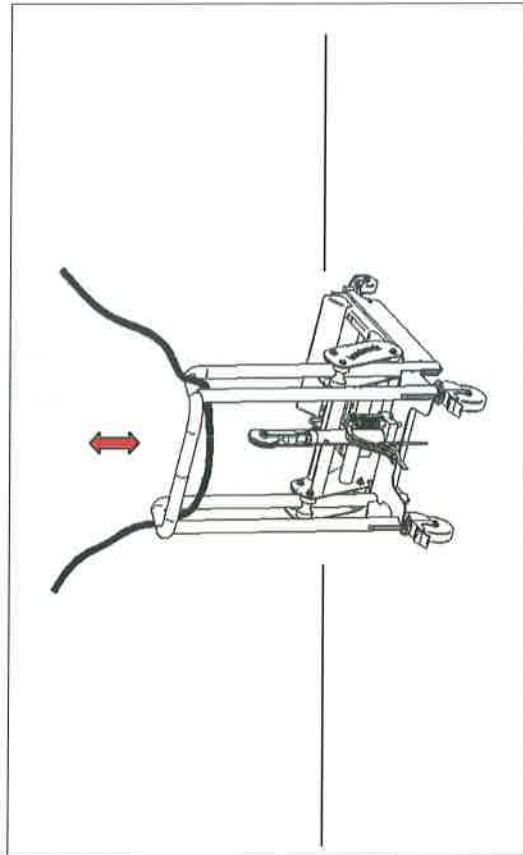
4.1

1	2	3	4
5	6	7	8
9	10	11	12
13	14	15	16
17	18	19	20
21	22	23	24
25	26	27	28
29	30	31	32





3.3



3.2

