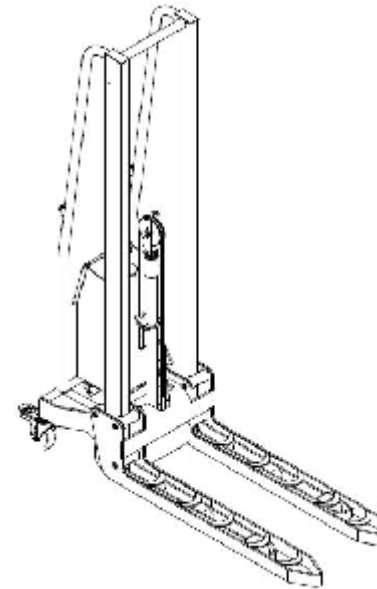
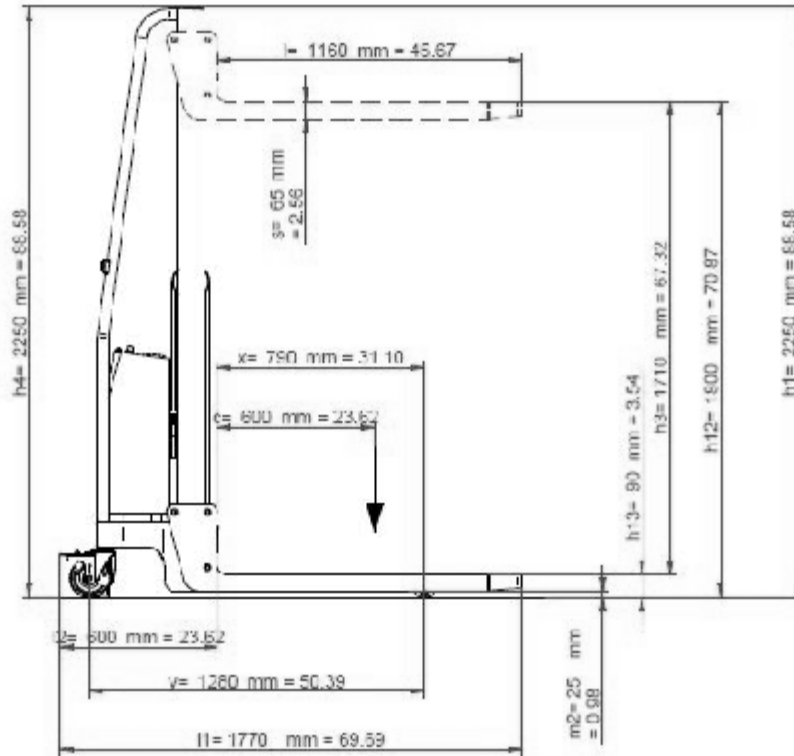


ELECTRIC POWER STACKER - ULM-EMS-600

APPROX WEIGHT: 225 lbs.
DOES NOT INCLUDE WEIGHT OF POWER OR PACKAGING!!!

*** ANY ADDITIONS, DELETIONS, OR OMISSIONS MUST BE CORRECTED ON THIS DRAWING AS THIS DRAWING WILL BE CONSIDERED ALL INCLUSIVE ***

ALL GRAPHICS PROVIDED ARE FOR REFERENCE ONLY. IF CERTAIN DIMENSIONS ARE CRITICAL PLEASE VERIFY THOSE DIMENSIONS WITH YOUR SALESPERSON



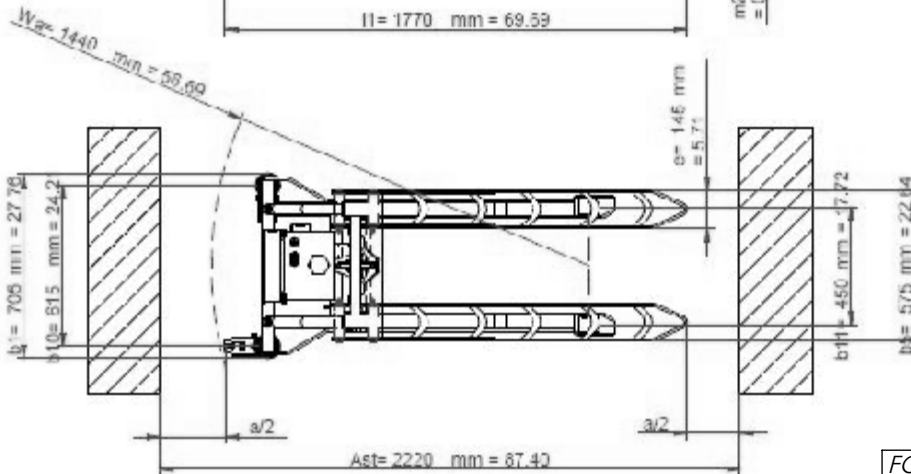
STANDARD FEATURES

- MODEL NUMBER IS ULM-EMS-600
- OVERALL WIDTH IS 27.76"
- USABLE WIDTH IS 22.64"
- OVERALL LENGTH IS 69.69"
- USABLE LENGTH IS 45.67"
- OVERALL HEIGHT IS 88.58"
- MAX CAPACITY IS 1200 LBS
- COLOR IS STAINLESS STEEL 304

SPECIAL FEATURES

NONE

DIMENSION TOLERANCE $\pm 1/4"$



APPROVAL

I, THE UNDERSIGNED, AGREE THAT THE PRODUCT AS REPRESENTED SATISFIES DESIGN AND DIMENSION REQUIREMENTS. I ALSO ACKNOWLEDGE MY DUTY TO CONFIRM PRODUCT AND INSTALLATION COMPLIANCE WITH ALL APPLICABLE FEDERAL, STATE AND LOCAL REGULATIONS AND STANDARDS.

UNITS REQUIRING APPROVAL DRAWINGS OR MODIFIED ARE NON-RETURNABLE

As drawn As marked

Signed: _____ Date: _____

Printed Name: _____

LEAD TIME WILL START UPON RECEIPT OF SIGNED APPROVAL DRAWING

FOR INTERNAL USE ONLY
PROJECT SIGN OFF

SALES	
ENG.	
FAB.	
POWER	

DISTRIBUTOR'S NAME:		P.O.#
VESTIL MANUFACTURING		X
DRAWN BY: SJG		W.O.#
DATE: 12/29/2017		X
REFERENCE: X	SCALE: 1:1	SALES: X
QUOTED LEAD TIME: X	QUOTE #	FILE NAME:
	X	ULM-EMS-600