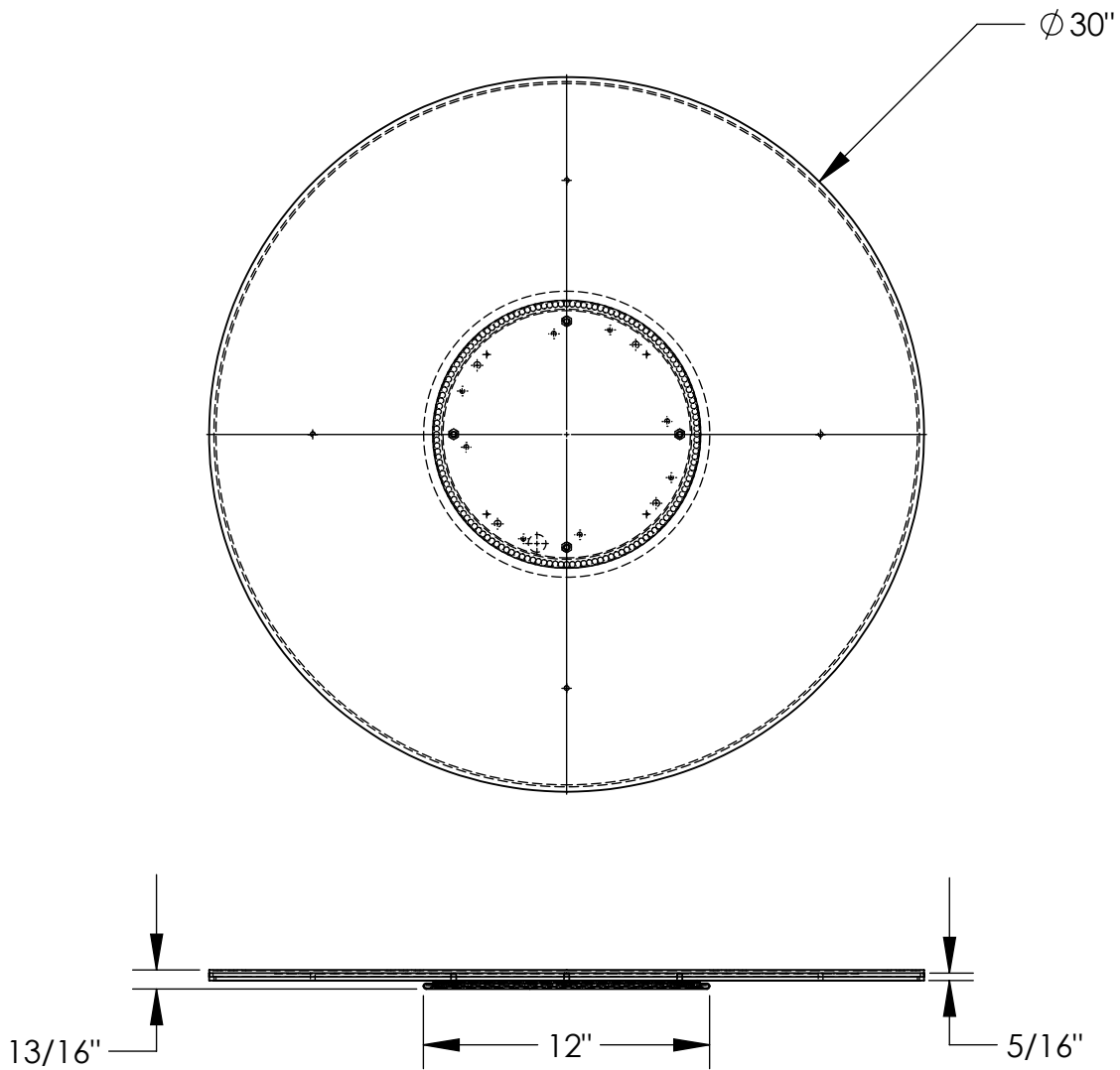


HEAVY DUTY MANUAL TURNTABLE- TT-30-7/8

APPROX WEIGHT: 66.81 lbs.
 DOES NOT INCLUDE WEIGHT OF POWER OR PACKAGING!!!
 ANY ADDITIONS, DELETIONS, OR OMISSIONS MUST BE CORRECTED ON THIS DRAWING AS THIS DRAWING WILL BE CONSIDERED ALL INCLUSIVE

NOTE: GROOVES IN TURNTABLE NOT SHOWN FOR CLARITY



| FOR INTERNAL USE ONLY PROJECT SIGN OFF | |
|---|--|
| SALES | |
| ENG. | |
| FAB. | |
| POWER | |

ALL GRAPHICS PROVIDED ARE FOR REFERENCE ONLY. IF CERTAIN DIMENSIONS ARE CRITICAL PLEASE VERIFY THOSE DIMENSIONS WITH YOUR SALESPERSON

DIMENSION TOLERANCE ± 1/4"

STANDARD FEATURES

- MODEL NUMBER: TT-30-7/8
- UNIFORM CAPACITY: , 1000 LBS.
- TURNTABLE DIAMETER: Ø30"
- OVERALL HEIGHT: 13/16"
- 5/16" TOP PLATE
- RUBBER COVER ON TOP PLATE

SPECIAL FEATURES

NONE

| | | |
|--|--|-------------|
| APPROVAL | I, THE UNDERSIGNED, AGREE THAT THE PRODUCT AS REPRESENTED SATISFIES DESIGN AND DIMENSION REQUIREMENTS. I ALSO ACKNOWLEDGE MY DUTY TO CONFIRM PRODUCT AND INSTALLATION COMPLIANCE WITH ALL APPLICABLE FEDERAL, STATE AND LOCAL REGULATIONS AND STANDARDS. | |
| | ANY MODIFIED UNITS ARE NON-RETURNABLE | |
| | [] As drawn [] As marked | |
| | Signed: _____ | Date: _____ |
| | Printed Name: _____ | |
| LEAD TIME WILL START UPON RECEIPT OF SIGNED APPROVAL DRAWING | | |

| | | |
|----------------------|------------|----------------|
| DISTRIBUTOR'S NAME: | | P.O.# |
| VESTIL MANUFACTURING | | X |
| DRAWN BY: ADL | | DATE: 08/01/05 |
| DATE: 08/01/05 | | SALES: X |
| REFERENCE: X | SCALE: 1:8 | FILE NAME: |
| QUOTED LEAD TIME: X | QUOTE # X | 20-007-053 |