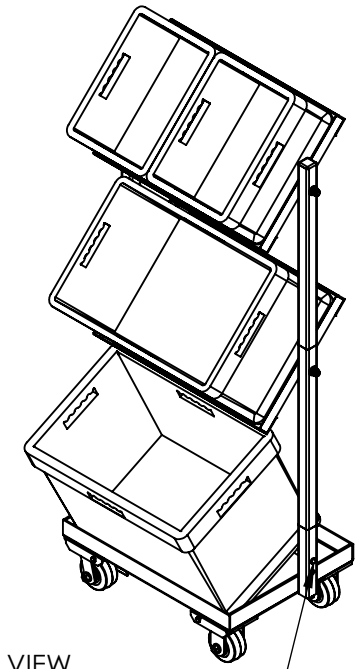
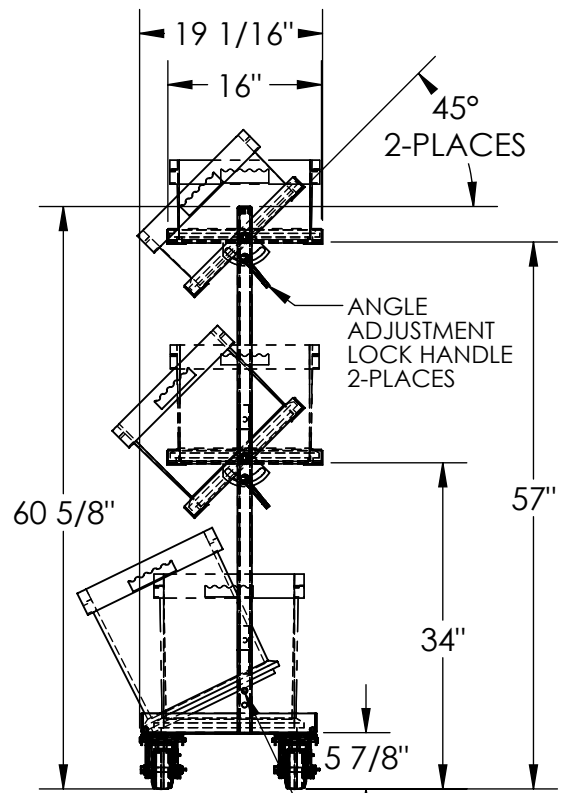
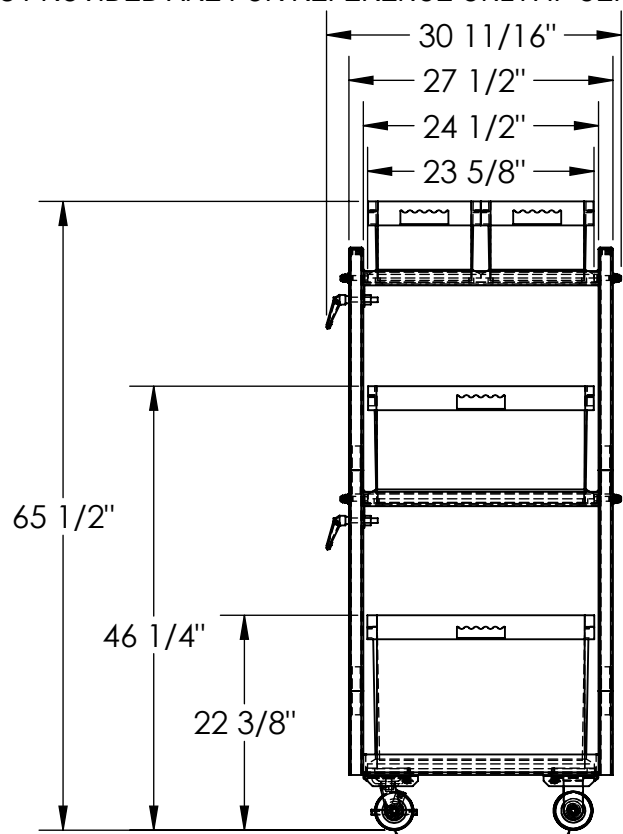


MULTI-TIER STOCK CART - TSCT-3B

APPROX WEIGHT: 89.93 lbs.
DOES NOT INCLUDE WEIGHT OF POWER OR PACKAGING!!!

*** ANY ADDITIONS, DELETIONS, OR OMISSIONS MUST BE CORRECTED ON THIS DRAWING AS THIS DRAWING WILL BE CONSIDERED ALL INCLUSIVE ***
ALL GRAPHICS PROVIDED ARE FOR REFERENCE ONLY. IF CERTAIN DIMENSIONS ARE CRITICAL PLEASE VERIFY THOSE DIMENSIONS WITH YOUR SALESPERSON



3-D VIEW SHOWN WITH LOWER PINS INSTALLED

Ø4" X 2" MOLD-ON-RUBBER CASTERS QTY. 2 - SWIVEL W/ BRAKE

PINS PROVIDED MAY BE INSERTED INTO THE HOLES TO SUPPORT THE BOTTOM OF THE LOWER BIN AND TILT IT FORWARD. FOR A LEVEL LOWER BIN PINS MAY BE STORED IN THE BASE FRAME

Ø4" X 2" MOLD-ON-RUBBER CASTERS QTY. 2 - RIGID

DIMENSION TOLERANCE ± 1/4"

STANDARD FEATURES

- MODEL NUMBER IS TSCT-3B
- OVERALL HEIGHT: 65 1/2"
- OVERALL WIDTH: 30 11/16"
- OVERALL DEPTH: 19 1/16"
- UPRIGHT TO UPRIGHT WIDTH: 24 1/2"
- USABLE SHELF SIZE: 16" X 23 5/8"
- UNIFORM STATIC CAPACITY: 300 LBS
- SHELF TILT: 45°
- INCLUDES (2) 4" x 2" RIGID CASTERS & (2) 4" x 2" SWIVEL W/BRAKE CASTERS
- INCLUDES (1) 15 1/2" X 23 1/2" X 16 1/2" BIN AND (1) 15 1/2" X 23 1/2" X 12 1/2" BIN AND (2) 11 1/2" X 15 1/2" X 8 1/2" BINS
- TOUGH BAKED IN POWDER COATED BLUE FINISH

SPECIAL FEATURES

NONE

APPROVAL

I, THE UNDERSIGNED, AGREE THAT THE PRODUCT AS REPRESENTED SATISFIES DESIGN AND DIMENSION REQUIREMENTS. I ALSO ACKNOWLEDGE MY DUTY TO CONFIRM PRODUCT AND INSTALLATION COMPLIANCE WITH ALL APPLICABLE FEDERAL, STATE AND LOCAL REGULATIONS AND STANDARDS.

ANY MODIFIED UNITS ARE NON-RETURNABLE

[] As drawn [] As marked

Signed: _____ Date: _____

Printed Name: _____

LEAD TIME WILL START UPON RECEIPT OF SIGNED APPROVAL DRAWING

FOR INTERNAL USE ONLY PROJECT SIGN OFF	
SALES	
ENG.	
FAB.	
POWER	

DISTRIBUTOR'S NAME:		P.O.#
VESTIL MANUFACTURING		X
DRAWN BY: NWS		DATE: 12/26/2012
REFERENCE: X		SCALE: 1:20
QUOTED LEAD TIME: X		QUOTE # X
		FILE NAME: 16-007-353