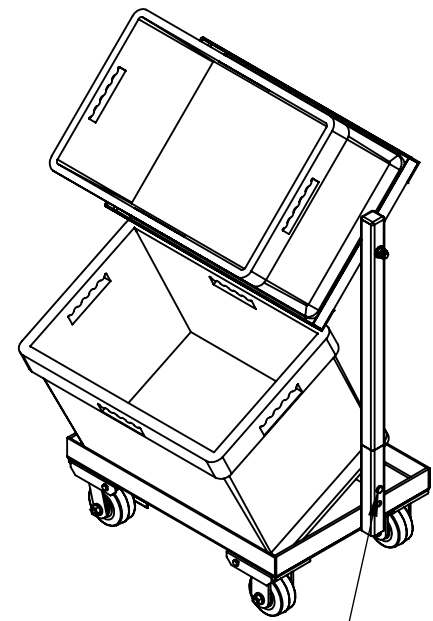
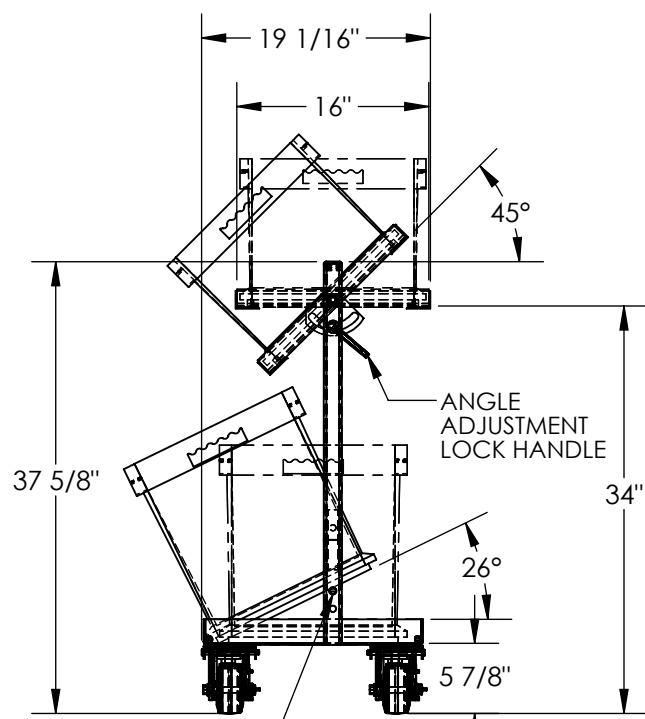
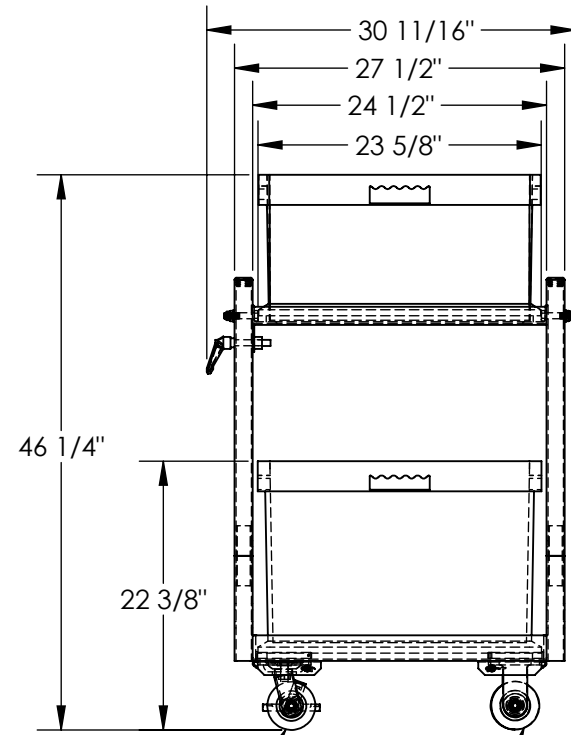


# MULTI-TIER STOCK CART - TSCT-2B

APPROX WEIGHT: 70.30 lbs.  
 DOES NOT INCLUDE WEIGHT OF POWER OR PACKAGING!!!

\*\*\* ANY ADDITIONS, DELETIONS, OR OMISSIONS MUST BE CORRECTED ON THIS DRAWING AS THIS DRAWING WILL BE CONSIDERED ALL INCLUSIVE \*\*\*  
 ALL GRAPHICS PROVIDED ARE FOR REFERENCE ONLY. IF CERTAIN DIMENSIONS ARE CRITICAL PLEASE VERIFY THOSE DIMENSIONS WITH YOUR SALESPERSON



Ø4" X 2" MOLD-ON-RUBBER CASTERS  
 QTY. 2 - SWIVEL W/ BRAKE

PINS PROVIDED MAY BE  
 INSERTED INTO THE HOLES TO  
 SUPPORT THE BOTTOM  
 OF THE LOWER BIN AND TILT IT  
 FORWARD. FOR A LEVEL  
 LOWER BIN PINS MAY BE STORED  
 IN THE BASE FRAME

Ø4" X 2" MOLD-ON-RUBBER CASTERS  
 QTY. 2 - RIGID

DIMENSION TOLERANCE ± 1/4"

## STANDARD FEATURES

- MODEL NUMBER IS TSCT-2B
- OVERALL HEIGHT: 46 1/4"
- OVERALL WIDTH: 30 11/16"
- OVERALL DEPTH: 19 1/16"
- UPRIGHT TO UPRIGHT WIDTH: 22 3/8"
- USABLE SHELF SIZE: 16" x 23 5/8"
- UNIFORM STATIC CAPACITY: 200 LBS
- SHELF TILT: 26°
- INCLUDES (2) 4" x 2" RIGID CASTERS & (2) 4" x 2" SWIVEL W/BRAKE CASTERS
- INCLUDES (1) 15 1/2" X 23 1/2" X 16 1/2" BIN AND (1) 15 1/2" X 23 1/2" X 12 1/2" BIN
- TOUGH BAKED IN POWDER COATED BLUE FINISH

## SPECIAL FEATURES

NONE

APPROVAL	I, THE UNDERSIGNED, AGREE THAT THE PRODUCT AS REPRESENTED SATISFIES DESIGN AND DIMENSION REQUIREMENTS. I ALSO ACKNOWLEDGE MY DUTY TO CONFIRM PRODUCT AND INSTALLATION COMPLIANCE WITH ALL APPLICABLE FEDERAL, STATE AND LOCAL REGULATIONS AND STANDARDS.	
	<b>ANY MODIFIED UNITS ARE NON-RETURNABLE</b>	
	[ ] As drawn	[ ] As marked
	Signed: _____	Date: _____
Printed Name: _____		
<b>LEAD TIME WILL START UPON RECEIPT OF SIGNED APPROVAL DRAWING</b>		

FOR INTERNAL USE ONLY PROJECT SIGN OFF	
SALES	
ENG.	
FAB.	
POWER	

DISTRIBUTOR'S NAME:		P.O.#
VESTIL MANUFACTURING		X
DRAWN BY: NWS	DATE: 12/26/2012	W.O.#
REFERENCE: X	SCALE: 1:16	X
QUOTED LEAD TIME: X	QUOTE #	FILE NAME:
	X	16-007-352