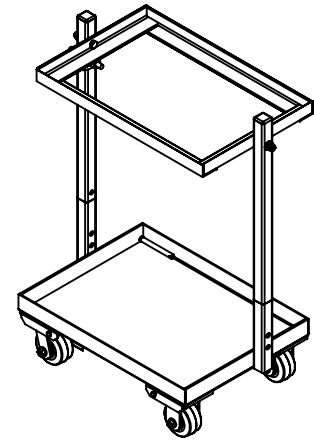
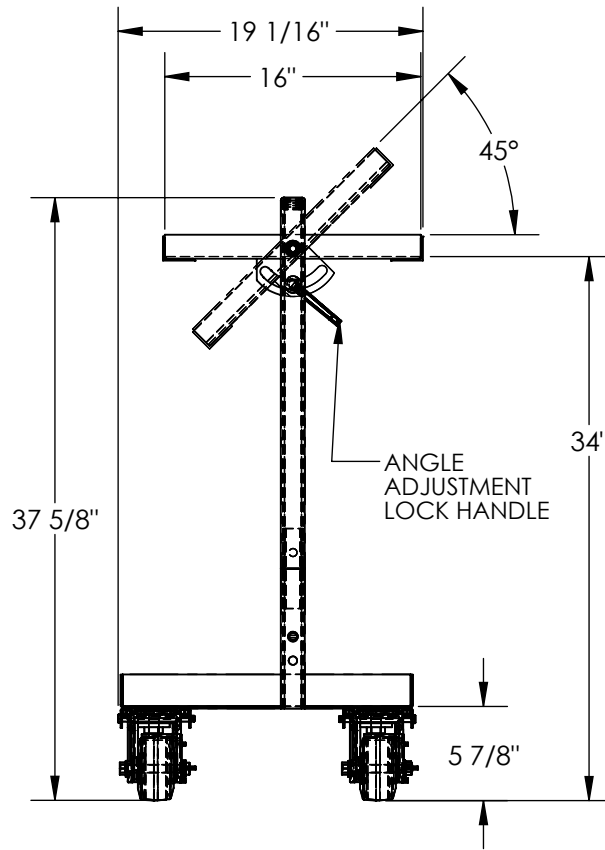
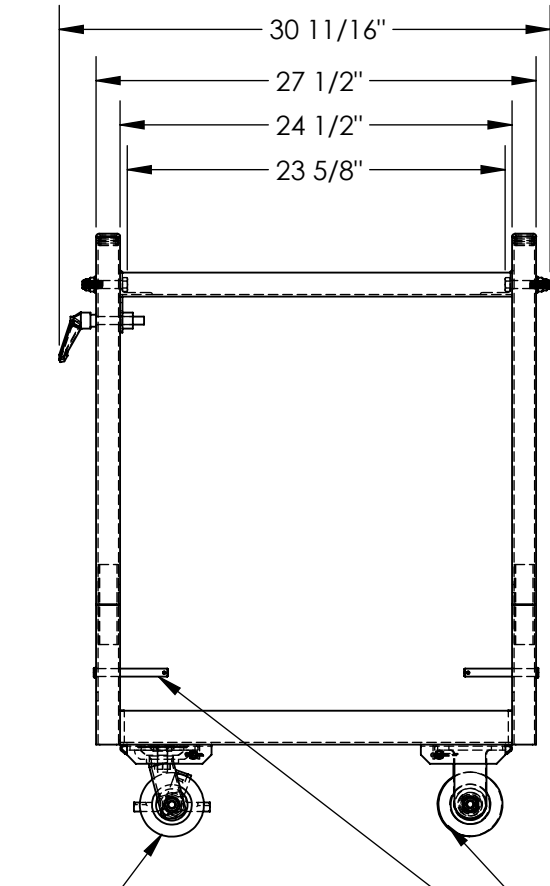


# MULTI-TIER STOCK CART - TSCT-2

APPROX WEIGHT: 69.99 lbs.  
DOES NOT INCLUDE WEIGHT OF POWER OR PACKAGING!!!

\*\*\*ANY ADDITIONS, DELETIONS, OR OMISSIONS MUST BE CORRECTED ON THIS DRAWING AS THIS DRAWING WILL BE CONSIDERED ALL INCLUSIVE\*\*\*



3-D VIEW FOR REFERENCE ONLY

Ø4" X 2" MOLD-ON-RUBBER CASTERS  
QTY. 2- RIGID

Ø4" X 2" MOLD-ON-RUBBER CASTERS  
QTY. 2 - SWIVEL W/ BRAKE

PINS PROVIDED MAY BE INSERTED INTO THE HOLES TO SUPPORT THE BOTTOM OF A LOWER BIN (NOT PROVIDED) AND TILT IT FORWARD. FOR A LEVEL LOWER BIN PINS MAY BE STORED IN THE BASE FRAME

| FOR INTERNAL USE ONLY<br>PROJECT SIGN OFF |  |
|---|--|
| SALES                                     |  |
| ENG.                                      |  |
| FAB.                                      |  |
| POWER                                     |  |

ALL GRAPHICS PROVIDED ARE FOR REFERENCE ONLY. IF CERTAIN DIMENSIONS ARE CRITICAL PLEASE VERIFY THOSE DIMENSIONS WITH YOUR SALESPERSON

DIMENSION TOLERANCE ± 1/4"

## STANDARD FEATURES

- MODEL NUMBER IS TSCT-2
- OVERALL HEIGHT: 37 5/8"
- OVERALL WIDTH: 30 11/16"
- OVERALL DEPTH: 19 1/16"
- UPRIGHT TO UPRIGHT WIDTH: 24 1/2"
- USABLE SHELF SIZE: 16" x 23 5/8"
- UNIFORM STATIC CAPACITY: 200 LBS
- SHELF TILT: 45°
- INCLUDES (2) 4" x 2" RIGID CASTERS & (2) 4" x 2" SWIVEL W/BRAKE CASTERS
- TOUGH BAKED IN POWDER COATED BLUE FINISH

## SPECIAL FEATURES

NONE

APPROVAL

I, THE UNDERSIGNED, AGREE THAT THE PRODUCT AS REPRESENTED SATISFIES DESIGN AND DIMENSION REQUIREMENTS. I ALSO ACKNOWLEDGE MY DUTY TO CONFIRM PRODUCT AND INSTALLATION COMPLIANCE WITH ALL APPLICABLE FEDERAL, STATE AND LOCAL REGULATIONS AND STANDARDS.

**ANY MODIFIED UNITS ARE NON-RETURNABLE**

[ ] As drawn [ ] As marked

Signed: \_\_\_\_\_ Date: \_\_\_\_\_

Printed Name: \_\_\_\_\_

LEAD TIME WILL START UPON RECEIPT OF SIGNED APPROVAL DRAWING

|                      |             |            |
|----------------------|-------------|------------|
| DISTRIBUTOR'S NAME:  |             | P.O.#      |
| VESTIL MANUFACTURING |             | X          |
| DRAWN BY: WHR        |             | W.O.#      |
| DATE: 07/23/2012     |             | X          |
| REFERENCE: X         | SCALE: 1:12 | SALES: X   |
| QUOTED LEAD TIME: X  | QUOTE # X   | FILE NAME: |
|                      |             | 16-007-326 |