

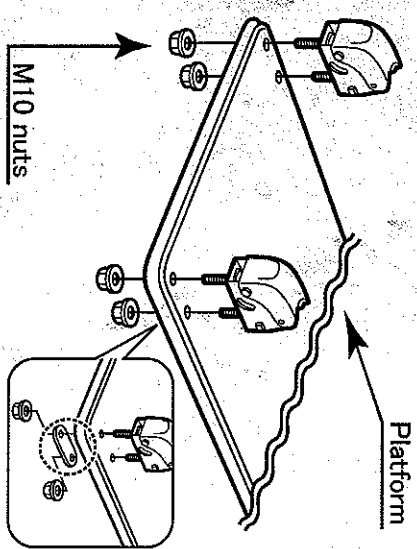
Folding Handle Hand Truck

Assembly Instruction

MAR. 12 2014

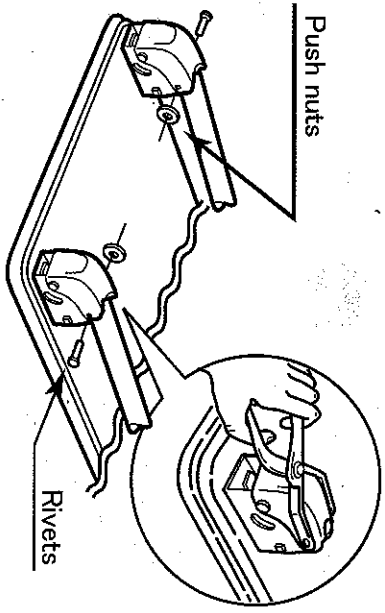
FDI

1 Attach handle stays

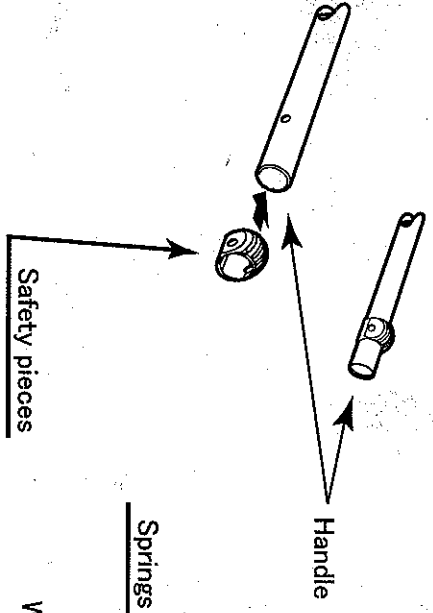


* For plastic hand truck, flat plates are added to reinforce the handle.

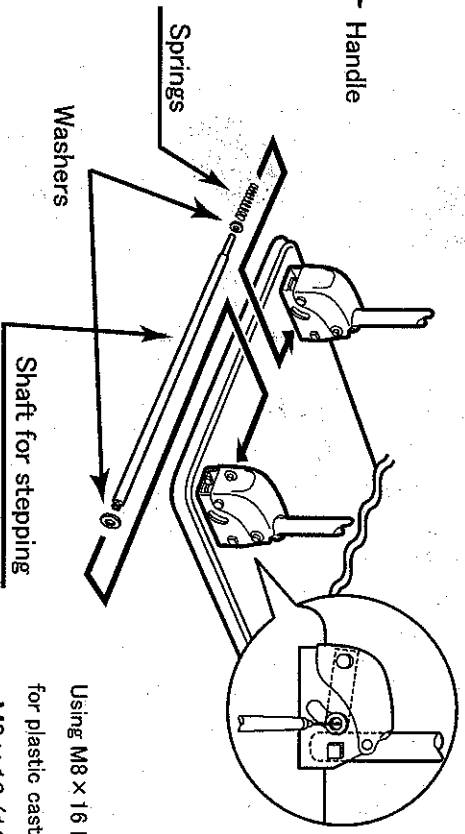
3 Hold a handle (Use nuts and rivets.)



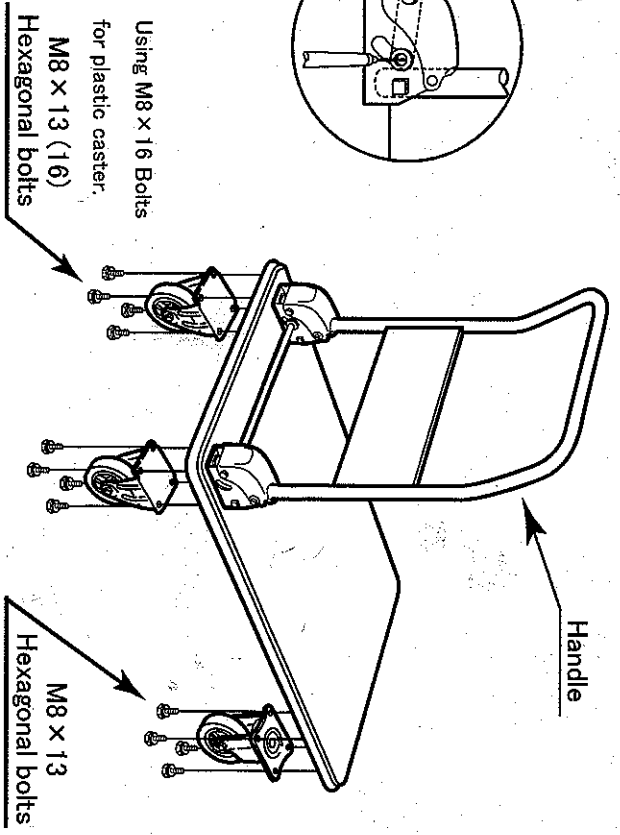
2 Insert safety pieces.



4 Attach a shaft.



5 Attach casters (Use bolts)



Parts list

Platform	1
Handle	1
Handle stays	2
Safety pieces	2
Shaft	1
Springs	1
M10 nuts	4
Rivets	2
Push nuts	2
Washers	2
Hexagonal bolts	16
Swivel casters	2
Rigid casters	2

Using M8 x 16 Bolts for plastic caster.

M8 x 13 (16)
Hexagonal bolts

M8 x 13
Hexagonal bolts