

# ELECTRIC HYDRAULIC TRASH CAN DUMPER - TCD-M-60-AC

APPROX WEIGHT: 633.83 lbs.  
DOES NOT INCLUDE WEIGHT OF POWER OR PACKAGING!!!

\*\*\* ANY ADDITIONS, DELETIONS, OR OMISSIONS MUST BE CORRECTED ON THIS DRAWING AS THIS DRAWING WILL BE CONSIDERED ALL INCLUSIVE \*\*\*  
ALL GRAPHICS PROVIDED ARE FOR REFERENCE ONLY. IF CERTAIN DIMENSIONS ARE CRITICAL PLEASE VERIFY THOSE DIMENSIONS WITH YOUR SALESPERSON

## STANDARD FEATURES

MODEL NUMBER: TCD-M-60-AC  
USABLE CHUTE WIDTH: 20" MIN TO 27" MAX  
USAGE CHUTE LENGTH: 27 1/8"  
OVERALL LENGTH: 75 5/8"  
OVERALL WIDTH: 46 1/16"  
OVERALL HEIGHT: 77 9/16"

OVERALL ROTATED HEIGHT: 134 13/16"  
MAXIMUM ROTATED ANGLE: 45°  
DUMP HEIGHT: 60 1/2"

WORKS WITH MODEL# TH-32/64/95

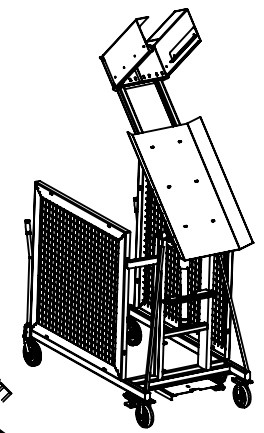
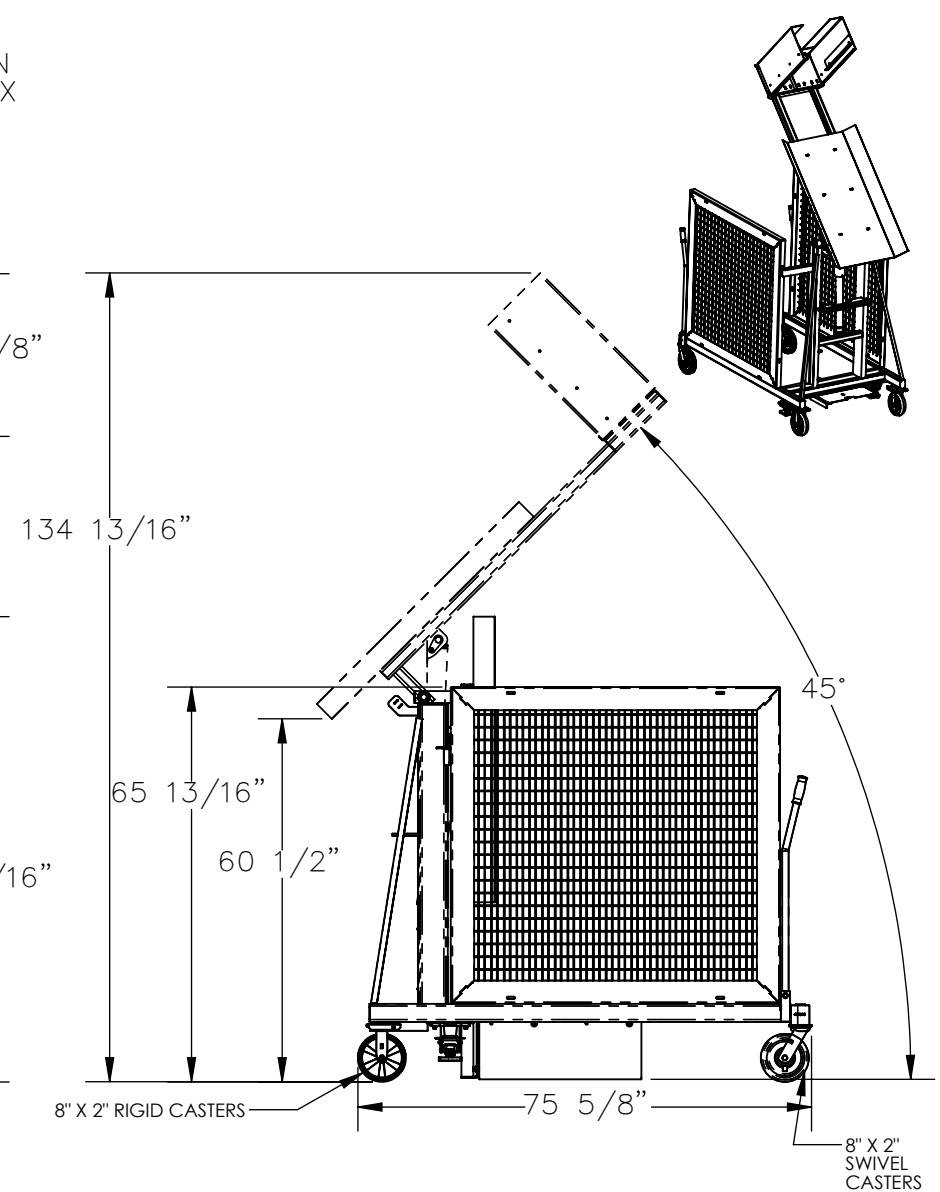
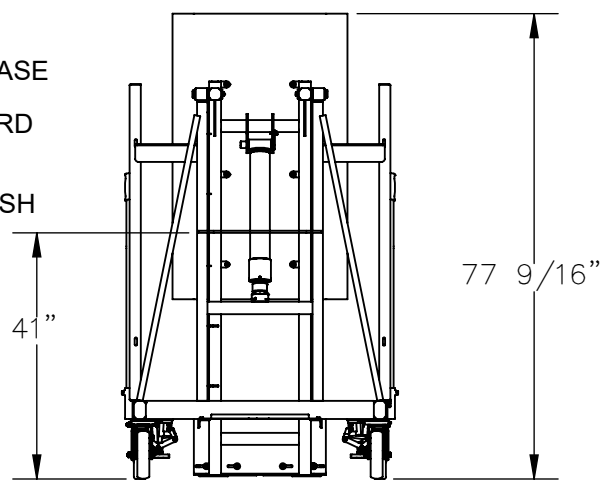
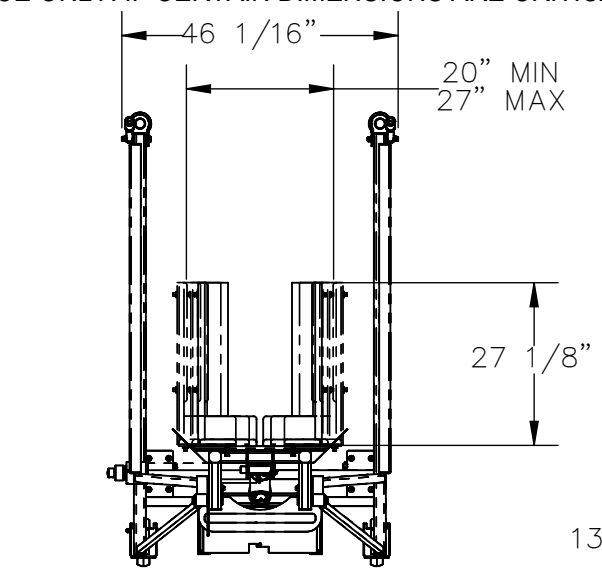
UNIFORM CAPACITY IS 400 LBS

CASTERS:  
FRONT: 8" X 2" GFN SWIVEL  
REAR: 8" X 2" GFN RIGID

TWO ADJUSTABLE FLOOR LOCKS

INTERNAL POWER UNIT: 115 V AC SINGLE PHASE  
CONTROL IS HANDHELD, 2 BUTTON, NEMA 4  
PENDANT WITH MINIMUM 8' USABLE COIL CORD

FRAME: DURABLE LIQUID PAINT BLUE FINISH  
CHUTE: DURABLE LIQUID PAINT YELLOW FINISH



## SPECIAL FEATURES

NONE

**APPROVAL**

I, THE UNDERSIGNED, AGREE THAT THE PRODUCT AS REPRESENTED SATISFIES DESIGN AND DIMENSION REQUIREMENTS. I ALSO ACKNOWLEDGE MY DUTY TO CONFIRM PRODUCT AND INSTALLATION COMPLIANCE WITH ALL APPLICABLE FEDERAL, STATE AND LOCAL REGULATIONS AND STANDARDS.

**UNITS REQUIRING APPROVAL DRAWINGS OR MODIFIED ARE NON-RETURNABLE**

[ ] As drawn [ ] As marked

Signed: \_\_\_\_\_ Date: \_\_\_\_\_

Printed Name: \_\_\_\_\_

LEAD TIME WILL START UPON RECEIPT OF SIGNED APPROVAL DRAWING

**DIMENSION TOLERANCE ± 1/4"**

DISTRIBUTOR'S NAME: <b>VESTIL MANUFACTURING</b>		P.O.# X
DRAWN BY: SJA		W.O.# X
DATE: 7/28/2016	SALES: X	FILE NAME:
REFERENCE: X	SCALE: 1:32	34-007-029-001
QUOTED LEAD TIME: X	QUOTE # X	