



Vestil Manufacturing Corp.
 2999 North Wayne Street, P.O. Box 507, Angola, IN 46703
 Telephone: (260) 665-7586 -or- Toll Free (800) 348-0868
 Fax: (260) 665-1339
 Web: www.vestilmfg.com e-mail: info@vestil.com

STRAP-FP Instruction Manual



Receiving Instructions

After delivery, remove the packaging from the product. Inspect the product closely to determine whether it sustained damage during transport. If damage is discovered, record a complete description of it on the bill of lading. If the product is undamaged, discard the packaging.

NOTE: The end-user is solely responsible for confirming that product design, use, and maintenance comply with laws, regulations, codes, and mandatory standards applied where the product is used.

Technical Service & Replacement Parts

For answers to questions not addressed in these instructions and to order replacement parts, labels, and accessories, call our Technical Service and Parts Department at (260) 665-7586. The Department can also be contacted online at <https://www.vestil.com/page-parts-request.php>.

Electronic Copies of Instruction Manuals

Additional copies of this instruction manual may be downloaded from <https://www.vestil.com/page-manuals.php>.

Table of Contents

	Page
Signal Words.....	2
Safety Instructions.....	2
National Standards.....	3
Specifications.....	3
Exploded View & Bill of Materials.....	4
Loading Strap Material.....	5
Using the Cart.....	5- 6 5
Dispensing Strap Material.....	6
Record of Satisfactory Condition.....	6
Inspections & Maintenance.....	6 - 7
Labeling Diagram.....	7
Limited Warranty.....	8

SIGNAL WORDS

This manual uses SIGNAL WORDS to indicate the likelihood that a particular action will cause personal injuries or property damage. Signal words also specify the level of seriousness of injury if the product is misused in the ways described. The following signal words are used in this manual.



Identifies a hazardous situation which, if not avoided, WILL result in DEATH or SERIOUS INJURY. Use of this signal word is limited to the most extreme situations.



Identifies a hazardous situation which, if not avoided, COULD result in DEATH or SERIOUS INJURY.



Indicates a hazardous situation which, if not avoided, COULD result in MINOR or MODERATE injury.



Identifies practices likely to result in product/property damage, such as operation that might damage the product.

SAFETY INSTRUCTIONS

Vestil strives to identify all hazards associated with the use of our products. However, material handling is dangerous and no manual can address every risk. The most effective way to avoid injury is for the end-user to exercise sound judgment whenever using this product.

WARNING

Risks of serious personal injuries or death.

- **Read and understand the entire manual before assembling, installing, using or servicing the product.** Read the manual to refresh your understanding of proper use and maintenance procedures whenever necessary. Properly maintain the device following to the instructions on [p. 6 - 7](#).
- DO NOT remove, alter, or obscure any label. If a label is missing, damaged, or unreadable, contact the [TECHNICAL SERVICE AND PARTS DEPARTMENT](#) to order a replacement. DO NOT use the cart until all replacement labels are applied. DO NOT remove or obscure any label.
- DO NOT sit on the spool holding mechanism, i.e. retaining discs. Only use the cart to move spools of strapping material.
- DO NOT traverse sloped terrain with the cart unless you can easily handle the cart. ALWAYS remain uphill of the cart whenever moving up or down inclines.
- Store the cart in a dry location that is protected from weather whenever the cart is not in use.
- Do not modify this cart without express, written consent from Vestil. Unauthorized modifications automatically void the [LIMITED WARRANTY](#) (see p. 8) and might make the cart unsafe to use.
- DO NOT exceed the 150 lb. (68kg) capacity/maximum rated load. See Label 1153 on product; also see [LABELING DIAGRAM](#) on p. 7.
- Inspect the product as instructed in the [INSPECTIONS & MAINTENANCE](#) section on p. 6 - 7. DO NOT use the unit unless it is in satisfactory condition.
- DO center the hoist above the lifting bale to minimize swing as the cart rises off of the ground. DO NOT side load the hoist.
- DO carefully eliminate slack in the hoist line before raising the cart. Lift and lower the cart slowly and steadily. Avoid sudden starts or stops while lifting or lowering the cart.
- DO NOT lift loads any higher than necessary. Keep the suspended cart as close to the ground as possible while moving it. Avoid obstructions while moving the cart.
- DO stay clear of the cart while it is suspended. Keep the cart in sight at all times while it is elevated. The cart could swing or spin while elevated.
- DO NOT lift people on the cart or lift the suspended cart over people.
- DO NOT leave the cart unattended while it is suspended. Land the cart before leaving.
- DO NOT ride, or allow others to ride, on the cart.
- DO inspect the product according to the instructions in [INSPECTIONS & MAINTENANCE](#) on p. 6 - 7. DO NOT use the product unless it is in [SATISFACTORY CONDITION](#). Acquire a copy of ASME B30.20 and apply all inspection and maintenance recommendations.
- DO NOT move the cart with a forklift until the safety chain is attached to the fork carriage without slack. Drive the cart at low speed. Brake and turn slowly and cautiously.
- DO NOT modify the product without written approval from Vestil. **Unapproved modifications automatically void the [LIMITED WARRANTY](#) (p. 8) and might make the product unsafe to use.**

NATIONAL STANDARDS

This product can be used as either a front end attachment when mounted on the forks of a fork truck, or a below-the-hook lifter when attached to a hoist or other overhead lifting device.

FRONT END ATTACHMENT

According to US Federal Occupational Safety and Health Administration (OSHA) Rule 1910.178 (29 CFR 1910.178; the "Rule"), this device is a front end attachment (for a lift truck) whenever it is mounted on the forks of a lift truck. The Rule incorporates American National Standard ANSI/ITSDF B56.1 (the "Standard") published by the Industrial Truck Standards Development Foundation (ITSDF) on its website (www.itsdf.org). The standard is freely downloadable at <http://www.itsdf.org/cue/b56-standards.html>. Before putting this cart into service, acquire a copy of the Standard. Apply all relevant parts of Part II: For the User. If instructions provided in this manual conflict with the Standard, then the instructions in the Standard must be applied. Vestil requests that you immediately inform it about inconsistencies by contacting [TECHNICAL SERVICE](#) personnel. Contact information for [TECHNICAL SERVICE](#) appears on the cover page of this manual.

BELOW-THE-HOOK LIFTING DEVICE

When attached to an overhead lifting device, this product is a "Below-the-Hook Lifting Device" (BTH lifter). [ASME standard B30.20](#) (the "Standard") applies to BTH lifters. Acquire a copy of the latest version of the Standard before putting the lifter into service. Follow all use and maintenance/care instructions provided in the Standard as well as all other provisions for owners and users. If content in the manual conflicts with recommendations or mandatory provisions in the Standard, apply the Standard. Vestil encourages you to immediately contact [TECHNICAL SERVICE](#) if you discover any conflicts.

SPECIFICATIONS (45-007-012)

Specifications for STRAP-FP-series strap dispensing carts are provided on Vestil's website. To access the appropriate specifications document, navigate to this webpage: <https://www.vestil.com/product.php?FID=406>. Click the "Specifications" tab. Scroll the page to the entry for the model you purchased, and click the button in the PDF column that looks like a pencil inside a blue box. A PDF file will open. This file is the specifications document. Print a copy of the document and keep it with your copy of this manual. The following is an exemplar specifications document.

STRAPPING CART - STRAP-FP

APPROX WEIGHT: 110.64 lbs.
DOES NOT INCLUDE WEIGHT OF POWER OR PACKAGING!!!

*** ANY ADDITIONS, DELETIONS, OR OMISSIONS MUST BE CORRECTED ON THIS DRAWING AS THIS DRAWING WILL BE CONSIDERED ALL INCLUSIVE ***
ALL GRAPHICS PROVIDED ARE FOR REFERENCE ONLY. IF CERTAIN DIMENSIONS ARE CRITICAL PLEASE VERIFY THOSE DIMENSIONS WITH YOUR SALESPERSON

STANDARD FEATURES

MODEL NUMBER IS STRAP-FP
 OVERALL WIDTH: 38"
 OVERALL LENGTH: 26 7/16"
 OVERALL HEIGHT: 48 15/16"
 UNIQUE DESIGN ACCEPTS 8" x 8", 16" x 3", AND 16" x 6" CORES
 MAX CAPACITY: 150 LBS
 TOUGH BAKED IN POWDER COATED BLUE FINISH

SPECIAL FEATURES

NONE

DIMENSION TOLERANCE ± 1/4"

I, THE UNDERSIGNED, AGREE THAT THE PRODUCT AS REPRESENTED SATISFIES DESIGN AND DIMENSION REQUIREMENTS. I ALSO ACKNOWLEDGE MY DUTY TO CONFIRM PRODUCT AND INSTALLATION COMPLIANCE WITH ALL APPLICABLE FEDERAL, STATE AND LOCAL REGULATIONS AND STANDARDS.

ANY MODIFIED UNITS ARE NON-RETURNABLE

[] As drawn [] As marked

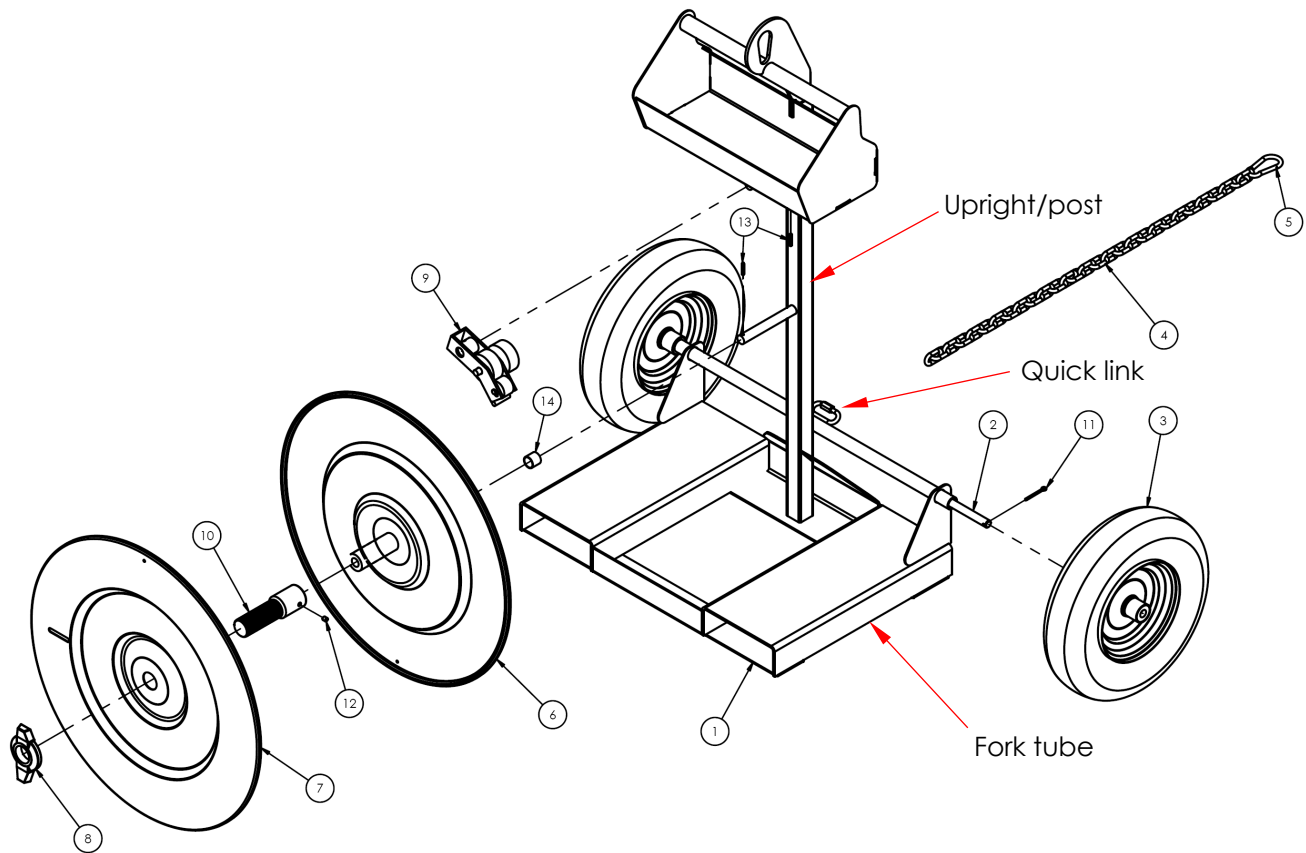
Signed: _____ Date: _____

Printed Name: _____

LEAD TIME WILL START UPON RECEIPT OF SIGNED APPROVAL DRAWING

FOR INTERNAL USE ONLY PROJECT SIGN OFF	DISTRIBUTOR'S NAME: VESTIL MANUFACTURING
SALES: _____	P.O.# X
ENG. _____	W.O.# X
FAB. _____	SALES: X
POWER _____	REFERENCE: X
	SCALE: 1:16
	FILE NAME: 45-007-012
	QUOTED LEAD TIME: X
	QUOTE # X

EXPLODED VIEW AND BILL OF MATERIALS (45-006-012)



Item	Part no.	Description	Qty.
1	45-514-020	WELDMENT, FRAME STRAP-FP	1
2	45-112-015	AXLE, STRAP-FP	1
3	16-132-126	PNEUMATIC TIRE, 4" X 16"	2
4	99-145-037	Ø 5/16" CHAIN 36"	1
5	08-145-041	SPECIALTY HARDWARE, SNAP HOOK, Ø5/16	1
6	45-014-013	FRAME, WHEEL, INNER BANDING ("INNER RETAINING DISC")	1
7	45-014-014	FRAME, WHEEL, OUTER BANDING ("OUTER RETAINING DISC")	1
8	45-145-003	NUT, BANDING WHEEL WINGED	1
9	45-645-003	SPECIALITY HARDWARE ASSEMBLY, GUIDE WHEEL	1
10	45-112-005	PIN, STRAPPING CART	1
11	65105	COTTER PIN, LOW CARBON STEEL, ZINC PLATED, Ø 5/32 x 1 1/2 LG	2
12	25437	5 /16-18 UNC x 3/8 LG SSS CP	1
13	64104	PIN, SPRING PIN, Ø5/32 x 1 1/8 LG.	2
14	45-113-006	SPACER, BUSHING	1

LOADING STRAP MATERIAL

The retaining discs are multi-tiered to accept 16" x 3", 16" x 6", or 8" x 8" spools of either steel or polyester strapping material. The following steps describe how to load a spool into the spool holding mechanism.

Step 1: Inspect the cart according to the instructions on p.5.

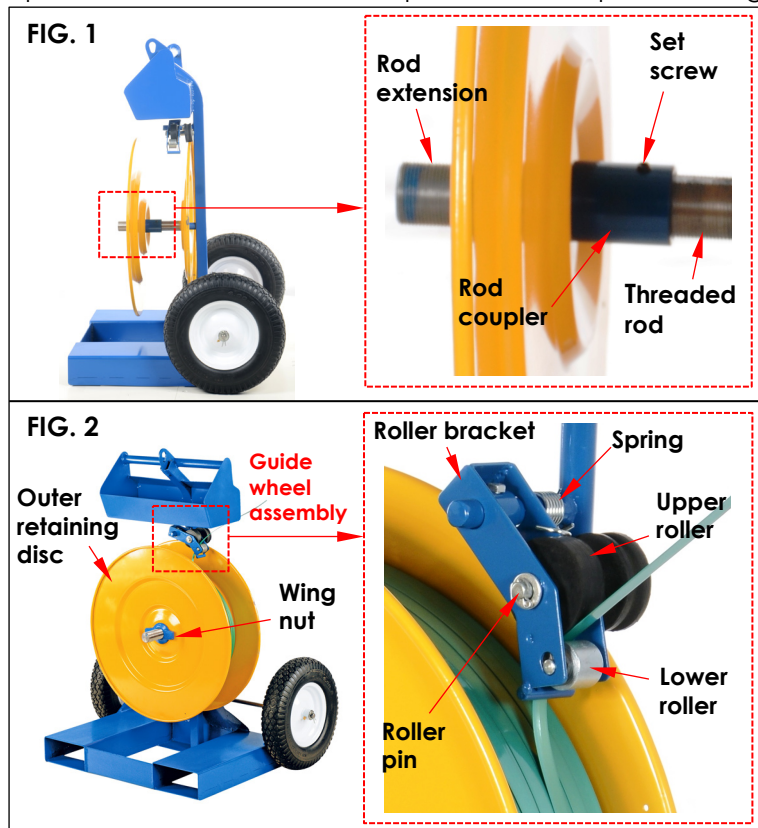
Step 2: Lay the cart on the ground with the outer retaining disc facing upwards.

Step 3: Unwind the wing nut and remove the outer retaining disc.

Step 4: Install a selected spool of strapping material. Orient the spool with the strapping wound counterclockwise around the spool. Center the core of the spool on the threaded rod. Install the rod extension if the spool of strapping material is wider than 3 inches. To install the extension, wind the rod coupler onto the end of the threaded rod and then tighten the set screw. Refer to FIG. 1. **NOTE:** The threaded rod will accommodate spools up to 3 inches wide.

Step 5: Feed the end of the strapping material between the upper and lower rollers of the guide wheel assembly (45-645-003) as shown in FIG. 2.

Step 6: Reattach the outer retaining disc and wing nut.



USING THE CART

▲ WARNING

USING THIS (FORKLIFT TRUCK) FRONT END ATTACHMENT AFFECTS THE CENTER OF GRAVITY OF YOUR LIFT TRUCK. BEFORE USING THIS DEVICE, US FEDERAL REGULATION [29 CFR 1910.178](#) REQUIRES YOU TO CONTACT THE MANUFACTURER OF YOUR LIFT TRUCK TO REQUEST:

- WRITTEN APPROVAL (29 CFR 1910.178(a)(4)); AND
- MARKINGS FOR THE LIFT TRUCK THAT IDENTIFY THE ATTACHMENT AND GIVE THE APPROXIMATE WEIGHT OF THE TRUCK AND ATTACHMENT AT MAXIMUM ELEVATION WITH A Laterally-Centered Load (29 CFR 1910.178(a)(5)). **DO NOT USE THIS DEVICE UNTIL YOUR LIFT TRUCK IS MARKED WITH CORRECTED CAPACITY TAGS. ONLY USE THIS DEVICE WITH LIFT TRUCKS THAT HAVE BEEN MARKED WITH CORRECTED CAPACITY TAGS.**

Step 1: Connect the cart to a hoist or mount it on the forks of your lift truck.

a. Hoist: Attach the hoist hook to the shackle. Do not side load the hoist! Side loading the hoist will result in load swing as the cart lifts off of the ground.

b. Forklift: Adjust the positions of the forks on the fork carriage as necessary to match the spacing of the fork tubes. Drive forward and insert the forks into both fork tubes. Drive as far forward as possible. For example, drive forward until the forks wedge into the channels. Wrap the safety chain around part of the fork carriage. Fasten the snap hook to the chain or welded quick link (welded to the axle tube) **without slack**. See [EXPLODED VIEW](#) on p. 4. The chain must not be able to disconnect from the carriage and the cart must not be able to slide on the forks.

Step 2: Raise the cart a few inches above the ground. Observe the cart to determine whether the cart is stable and secure.

Step 3: Transport the cart to the desired location.

a. Overhead hoist: Lift the cart ~5-6 inches above the ground. Stand behind the cart. Grasp the back of the tool tray or upright/post and carefully direct the cart to the desired location. Minimize load swing by moving the hoist **slowly and carefully**.

b. Forklift: Drive slowly, particularly while turning. Reduce speed during turns. Apply the brakes gradually to prevent jarring the cart or causing it to slide towards the tips of the forks.

Step 4: Before lowering the cart, make sure that it is not swinging, spinning, etc. Slowly lower the cart until there is slack in the hoist cable/chain or the forks are loose inside the fork tubes. Disconnect the cart from the hoist, or dismount the cart from the forklift.

DISPENSING STRAP MATERIAL

Slowly and steadily pull the free end of the strapping to dispense strapping. The spool holding mechanism (inner and outer discs and threaded rod) will rotate. Do not pull quickly and forcefully on the end of the strap or the spool holder will over rotate and dispense too much strapping.

To move the cart, tilt it so that only the wheels contact with the ground. Push (don't pull) it to the work location. Do not traverse sloped terrain with the cart unless you can easily handle the cart. Always remain uphill of the cart whenever traveling up or down slopes.

To change spools of strapping, follow the [LOADING STRAP MATERIAL](#) instructions on p. 5.

RECORD OF SATISFACTORY CONDITION

Record the condition of the device before putting it into service for the first time. Include observations about the tool tray, fork tubes, lifting bale, spool retaining discs, welds, the frame, safety chain, quick link, snap hook, wheels, guide wheel assembly, and strap dispensing mechanisms (collectively "cart features"). Thoroughly photograph the unit so that all cart features are clearly imaged. Take close range photographs of all labels applied to the unit. Add the photographs to the record. Describe where each label is located. Collect all photographs and writings in a file. This file is a record of the cart in satisfactory condition. During future inspections, compare your observations to the *RECORD* to determine if the unit is in satisfactory condition.

INSPECTIONS & MAINTENANCE

NOTICE

Proper use, maintenance, and storage are essential for this product to function properly.

- o Inspect the unit as instructed and as frequently as instructed.
- o Inspect and maintain the product as recommended in the current revisions of ANSI/ITSDF B56.1 and ANSI B30.20, as well as all instructions in this manual.
- o Store the unit in a dry location.

Compare the results of each inspection to the [RECORD OF SATISFACTORY CONDITION](#) to determine whether the unit is in satisfactory condition. DO NOT use the cart unless it is in satisfactory condition. Only use manufacturer-approved replacement parts to restore the unit to satisfactory condition. *Never make temporary repairs of damaged or missing parts. DON'T GUESS! If you have any questions about the condition of your unit, contact the [TECHNICAL SERVICE](#) department.* The phone number is provided on the cover page of this manual. Purely cosmetic changes, such as chipped paint, are not changes from satisfactory condition. However, touchup paint should be applied to all areas where the finish is damaged as soon as the damage occurs because exposed metal rusts. Left unaddressed, rusting could compromise the soundness of the metal and create a safety hazard.

Inspect the following before each use:

1. Safety chain, quick link, and snap hook: Confirm that all parts of the safety chain are in satisfactory condition. The spring latch (of the snap hook) should automatically close and remain closed unless deliberately opened. Do not mount the unit on the forks of a lift truck if the snap hook, chain, or quick link are damaged or worn.
2. Labeling: All labels should be easily readable and in place as shown in the [LABELING DIAGRAM](#). If a label is damaged, not easily readable, or missing, contact [TECHNICAL SERVICE](#) to order a replacement.

Inspect the following at least 1 time per month:

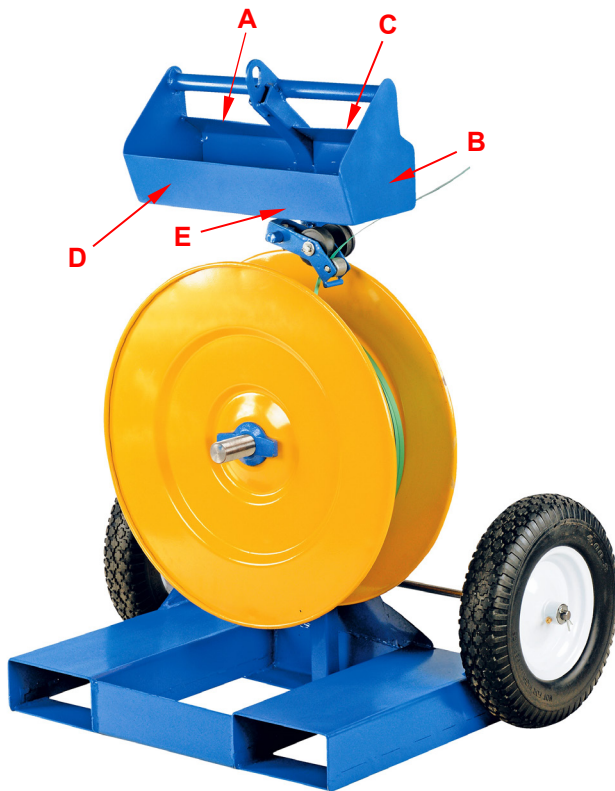
1. Frame: inspect all welds for cracks. Inspect the metal tubing for damage, warps, and cracks. Also examine the connection points between the frame and the formed base piece. Make sure that the nuts and bolts are securely fastened together and that the bolt holes in the frame are not elongated, warped, or cracked.
2. Wheels: Check the wheels for wear, cuts, dry rot, and other damage. The wheels should roll smoothly without wobbling, skidding, etc. The center hub of each wheel should not be cracked.

Confirm that cotter pins are in place and in good condition.

3. Spool dispensing assembly: Examine the inner and outer retaining discs, the wing nut, the threaded rod, the rod coupler and set screw, and the rod extension. Make sure that the wing nut threads smoothly and easily onto the threaded rod and the rod extension. Confirm that the rod and extension are both straight and that the threads are undamaged. Inspect the retaining discs for warps and cracks. Examine the guide wheel assembly (roller bracket, upper and lower rollers, spring, washers, roller pin, and cotter pins) for damage, missing, worn, or loose parts. Inspect the). Replace all parts that are damaged.

LABELING DIAGRAM

Label content and location are subject to change so your product might not be labeled exactly as shown. Compare the diagram below to your RECORD OF SATISFACTORY CONDITION. If differences between actual labeling and this diagram exist, contact TECHNICAL SERVICE. Replace all labels that are damaged, missing, or not easily readable (e.g. faded). To order replacement labels, or to inquire whether your unit is properly labeled, contact the technical service and parts department online at http://www.vestilmfg.com/parts_info.htm or by calling (260) 665-7586 and asking for the Parts Department.



A (on back of tool tray): Label 1049

▲ WARNING	
Improper use of this fork attachment might result in death or serious injury.	
<ul style="list-style-type: none"> Using this front end attachment affects lift truck center of gravity. Before using this fork attachment, US Federal regulation 29 CFR 1910.178 requires you to contact the manufacturer of your lift truck and request: <ol style="list-style-type: none"> Written approval [29 CFR 1910.178(a)(4)] Markings for (fork) lift truck that: <ul style="list-style-type: none"> Identify the attachment; Give approximate weight of truck and attachment at maximum elevation with laterally-centered load. [29 CFR 1910.178(a)(5)]. DO NOT use UNTIL lift truck is marked with corrected capacity tags. 	
1049 rev 1118	

B (on side of tool tray): Label 1153

MODEL / MODÉLO / MODÈLE	_____
WEIGHT / PESO / MASS	_____
CAPACITY / CAPACIDAD / CAPACITÉ	_____
SERIAL / SERIE / SÉRIE	_____
UNITS: 2.2 lb. = 1kg	1" (or 1in.) = 2.54cm
1153	

C (on back of tool tray): Label 218

▲ WARNING	▲ ADVERTENCIAS
Improper use might result in death or serious personal injury. Attach device to fork carriage with safety chain/strap.	El uso improprio puede resultar en muerte o heridas personales. Atar aparato al mástil del montacargas con cadenas/correas.
<ul style="list-style-type: none"> Drive lift truck forward until forks contact ends of fork pockets. Chain/straps must not be able to disconnect (slide free) from carriage. Safety chain/strap must be taut. Connect chain/strap to carriage via shortest line. 	<ul style="list-style-type: none"> Maneje el montacargas para adelante hasta que las cuñas hagan contacto con la orilla del bolsillo de las cuñas. La cadenas y correas no deben deslizarse (soltarse) del mástil del montacargas. La cadena/correa de seguridad debe de estar apretado. Asegure la cadena/correa al mástil via la ruta mas corta.
218 rev 0910	

D (on front of tool tray): Label 1000

Model No. _____	Serial No. _____
No. Modelo _____	No. Serie _____
Capacity _____ lbs.	Lifter Weight _____ lbs.
Capacidad _____ kgs.	Peso del Elevador _____ kgs.
BHT-1 Design Category: B	BHT-1 Service Category: 1
BHT-1 Categoría de Diseño B	BHT-1 Categoría de Servicio: 1
1000	
Read Owners Manual for product safety warnings Lea Manual de Proprietarios para advertencias de seguridad de producto	

E (on front of tool tray): Label 675

▲ WARNING	▲ ADVERTENCIA
<ul style="list-style-type: none"> DO NOT exceed rated capacity DO NOT use if damaged, malfunctioning, or missing parts DO NOT lift people OR lift loads over people DO NOT raise load higher than necessary DO NOT leave a suspended load unattended DO NOT use lifter unless you read and understand the owner's manual DO NOT alter OR modify lifter DO NOT remove OR obscure any label STAY CLEAR of suspended loads Secure load before using this device 	<ul style="list-style-type: none"> NO exceda la capacidad tasada NO USE si las partes estan dañadas, no funcionan correctamente o faltan partes. NO eleve al personal o eleve cargas sobre el personal NO eleve la carga mas alto de lo necesario NO deje desatendida una carga que este suspendida NO use el elevador a no ser que haya leído y entendido las instrucciones del manual del propietario NO altere o modifique el elevador NO quite u oscurezca ninguna etiqueta MANTENGASE alejado de las cargas suspendidas Asegure la carga antes de usar este dispositivo
675 rev 1213	

LIMITED WARRANTY

Vestil Manufacturing Corporation ("Vestil") warrants this product to be free of defects in material and workmanship during the warranty period. Our warranty obligation is to provide a replacement for a defective, original part covered by the warranty after we receive a proper request from the Warrantee (you) for warranty service.

Who may request service?

Only a warrantee may request service. You are a warrantee if you purchased the product from Vestil or from an authorized distributor AND Vestil has been fully paid.

Definition of "original part"?

An original part is a part used to make the product as shipped to the Warrantee.

What is a "proper request"?

A request for warranty service is proper if Vestil receives: 1) a photocopy of the Customer Invoice that displays the shipping date; AND 2) a written request for warranty service including your name and phone number. Send requests by one of the following methods:

<u>US Mail</u>	<u>Fax</u>	<u>Email</u>
Vestil Manufacturing Corporation 2999 North Wayne Street, PO Box 507 Angola, IN 46703	(260) 665-1339 <u>Phone</u> (260) 665-7586	info@vestil.com Enter "Warranty service request" in subject field.

In the written request, list the parts believed to be defective and include the address where replacements should be delivered. After Vestil receives your request for warranty service, an authorized representative will contact you to determine whether your claim is covered by the warranty. Before providing warranty service, Vestil will require you to send the entire product, or just the defective part (or parts), to its facility in Angola, IN.

What is covered under the warranty?

The warranty covers defects in the following original, dynamic parts: motors, hydraulic pumps, motor controllers, and cylinders. It also covers defects in original parts that wear under normal usage conditions ("wearing parts"), such as bearings, hoses, wheels, seals, brushes, and batteries.

How long is the warranty period?

The warranty period for original dynamic components is 90 days. For wearing parts, the warranty period is 90 days. Both warranty periods begin on the date Vestil ships the product to the Warrantee. If the product was purchased from an authorized distributor, the periods begin when the distributor ships the product. Vestil may, at its sole discretion, extend a warranty period for products shipped from authorized distributors by up to 30 days to account for shipping time.

If a defective part is covered by the warranty, what will Vestil do to correct the problem?

Vestil will provide an appropriate replacement for any covered part. An authorized representative of Vestil will contact you to discuss your claim.

What is not covered by the warranty?

The Warrantee (you) is responsible for paying labor costs and freight costs to return the product to Vestil for warranty service.

Events that automatically void this Limited Warranty.

- Misuse;
- Negligent assembly, installation, operation or repair;
- Installation/use in corrosive environments;
- Inadequate or improper maintenance;
- Damage sustained during shipping;
- Collisions or other accidents that damage the product;
- Unauthorized modifications: Do not modify the product IN ANY WAY without first receiving written authorization from Vestil.

Do any other warranties apply to the product?

Vestil Manufacturing Corp. makes no other express warranties. All implied warranties are disclaimed to the extent allowed by law. Any implied warranty not disclaimed is limited in scope to the terms of this Limited Warranty. Vestil makes no warranty or representation that this product complies with any state or local design, performance, or safety code or standard. Noncompliance with any such code or standard is not a defect in material or workmanship.

