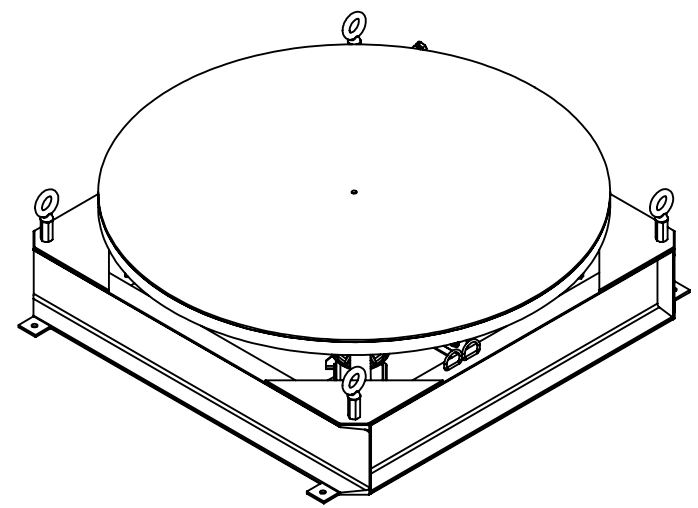
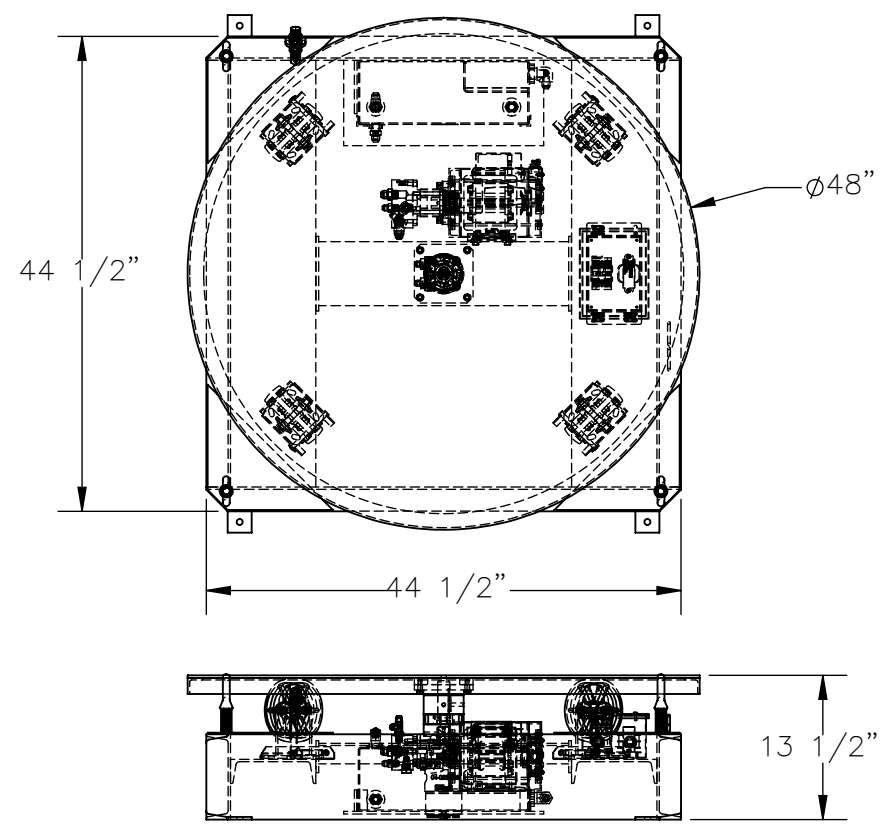


# STAND ALONE HYDRAULIC POWERED CAROUSEL - STPC-EHD

APPROX WEIGHT: 549 lbs.  
 DOES NOT INCLUDE WEIGHT OF POWER OR PACKAGING!!!

\*\*\* ANY ADDITIONS, DELETIONS, OR OMISSIONS MUST BE CORRECTED ON THIS DRAWING AS THIS DRAWING WILL BE CONSIDERED ALL INCLUSIVE \*\*\*  
 ALL GRAPHICS PROVIDED ARE FOR REFERENCE ONLY. IF CERTAIN DIMENSIONS ARE CRITICAL PLEASE VERIFY THOSE DIMENSIONS WITH YOUR SALESPERSON



DIMENSION TOLERANCE ± 1/4"

## STANDARD FEATURES

- MODEL NUMBER: STPC-EHD
- CAPACITY: 4000 LBS
- LEVEL HEIGHT: 13 1/2"
- TOP PLATE: Ø 48" TREAD PLATE
- (4) 6" x 2" SEMI-STEEL CASTERS
- POWER: 115V AC INPUT
- INTERNAL MOTOR/PUMP HYDRAULIC UNIT
- APPROX. 8 RPM FIXED SPEED
- CLOCKWISE DIRECTION
- GUARDED FOOT CONTROL
- \*\*\*POWER UNIT IS NOT DESIGNED FOR CONTINUOUS RUNNING\*\*\*
- FRAME IS DURABLE LIQUID PAINT BLUE FINISH
- DECK IS DURABLE LIQUID PAINT YELLOW FINISH

## SPECIAL FEATURES

NONE

**APPROVAL**

I, THE UNDERSIGNED, AGREE THAT THE PRODUCT AS REPRESENTED SATISFIES DESIGN AND DIMENSION REQUIREMENTS. I ALSO ACKNOWLEDGE MY DUTY TO CONFIRM PRODUCT AND INSTALLATION COMPLIANCE WITH ALL APPLICABLE FEDERAL, STATE AND LOCAL REGULATIONS AND STANDARDS.

**ANY MODIFIED UNITS ARE NON-RETURNABLE**

[ ] As drawn      [ ] As marked

Signed: \_\_\_\_\_ Date: \_\_\_\_\_

Printed Name: \_\_\_\_\_

**LEAD TIME WILL START UPON RECEIPT OF SIGNED APPROVAL DRAWING**

FOR INTERNAL USE ONLY PROJECT SIGN OFF	
SALES	
ENG.	
FAB.	
POWER	

DISTRIBUTOR'S NAME:		P.O.#
VESTIL MANUFACTURING		X
DRAWN BY: CRH		DATE: 5/2/2019
REFERENCE: X		SCALE: 1:18
QUOTED LEAD TIME: X		QUOTE # X
		FILE NAME: 20-007-195