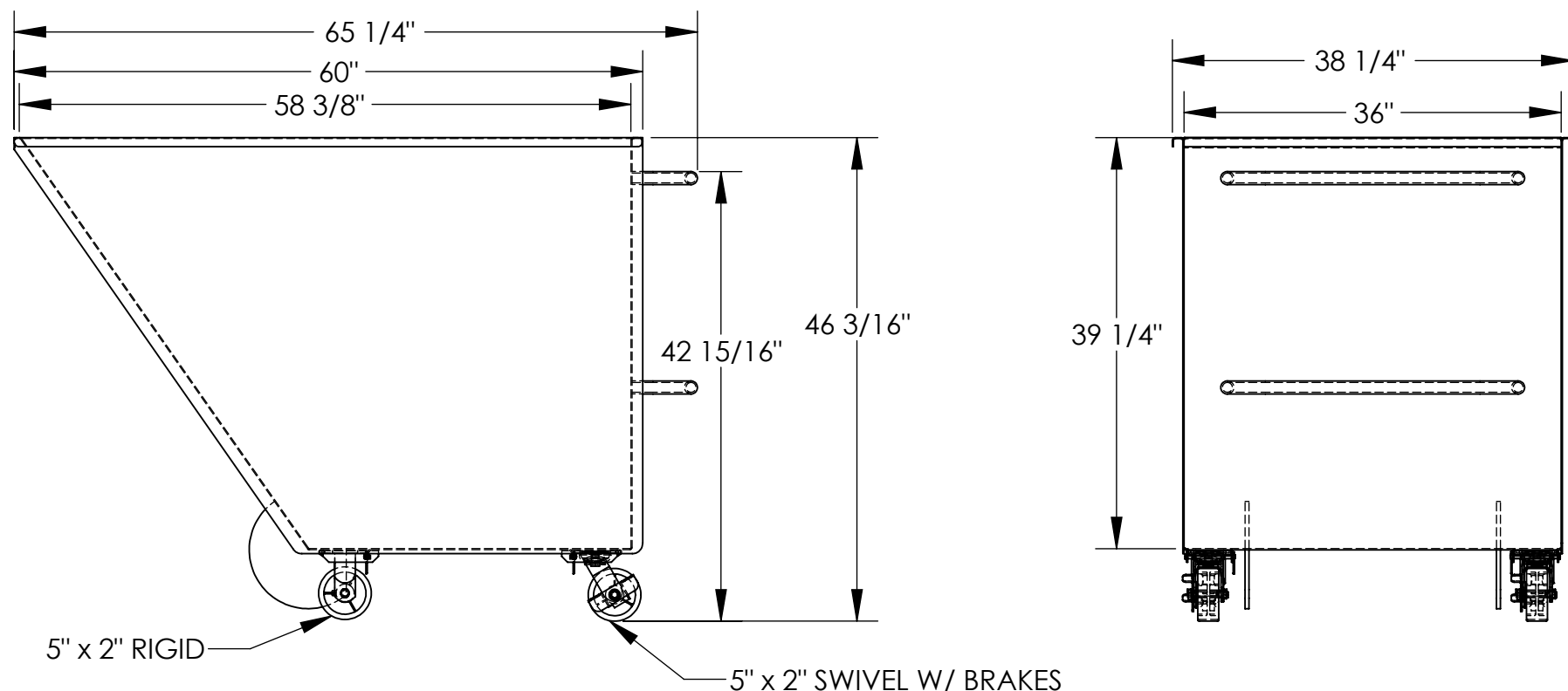


PORTABLE STEEL DUMP TRUCK - SPTT-15

APPROX WEIGHT: 309.7 lbs.
DOES NOT INCLUDE WEIGHT OF POWER OR PACKAGING!!!

*** ANY ADDITIONS, DELETIONS, OR OMISSIONS MUST BE CORRECTED ON THIS DRAWING AS THIS DRAWING WILL BE CONSIDERED ALL INCLUSIVE ***

ALL GRAPHICS PROVIDED ARE FOR REFERENCE ONLY. IF CERTAIN DIMENSIONS ARE CRITICAL PLEASE VERIFY THOSE DIMENSIONS WITH YOUR SALESPERSON



STANDARD FEATURES

- MODEL NUMBER: SPTT-15
- OVERALL WIDTH IS: 38 1/4"
- OVERALL LENGTH: 65 1/4"
- OVERALL HEIGHT: 46 3/16"
- TRUCK BOX WIDTH: 36"
- TRUCK BOX LENGTH: 58 3/8"
- TRUCK BOX DEPTH: 39 1/4"
- TRUCK VOLUME: 40 CU-FT; 1 1/2 CU-YD
- TRUCK CAPACITY: 2,000 LBS.
- CASTERS: (2) 5" x 2" SWIVEL POLY ON STEEL W/ BRAKES
- (2) 5" x 2" RIGID POLY ON STEEL
- TOUGH BAKED IN POWDER COATED BLUE FINISH

SPECIAL FEATURES

NONE

DIMENSION TOLERANCE ± 1/4"

APPROVAL	I, THE UNDERSIGNED, AGREE THAT THE PRODUCT AS REPRESENTED SATISFIES DESIGN AND DIMENSION REQUIREMENTS. I ALSO ACKNOWLEDGE MY DUTY TO CONFIRM PRODUCT AND INSTALLATION COMPLIANCE WITH ALL APPLICABLE FEDERAL, STATE AND LOCAL REGULATIONS AND STANDARDS.	
	ANY MODIFIED UNITS ARE NON-RETURNABLE	
	[] As drawn [] As marked	
	Signed: _____ Date: _____	
Printed Name: _____		
<i>LEAD TIME WILL START UPON RECEIPT OF SIGNED APPROVAL DRAWING</i>		

FOR INTERNAL USE ONLY PROJECT SIGN OFF		DISTRIBUTOR'S NAME:		P.O.#
SALES		VESTIL MANUFACTURING		X
ENG.		DRAWN BY: W. STALEY	DATE: 03/07/2008	W.O.#
FAB.		REFERENCE: X	SCALE: 1:16	X
POWER		QUOTED LEAD TIME: X	QUOTE # X	FILE NAME:
				37-007-068