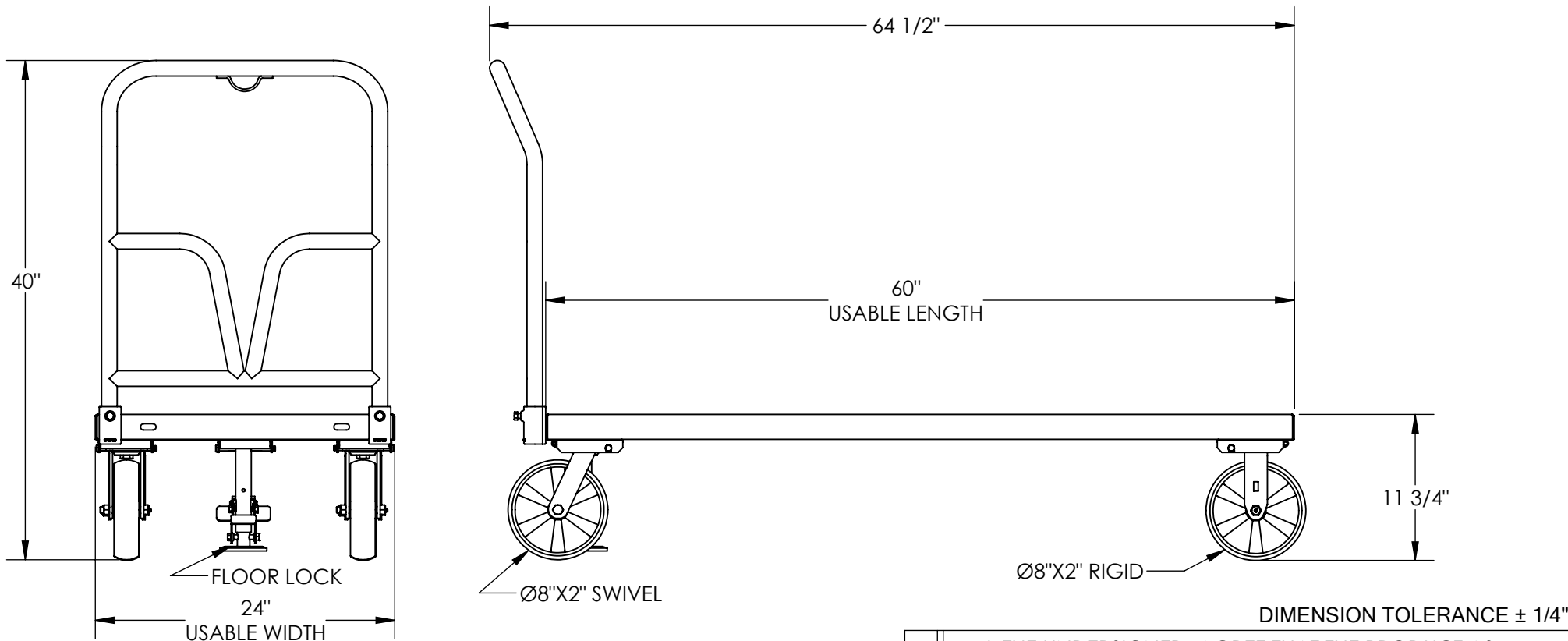


STEEL PLATFORM TRUCK- SPT-2460

APPROX WEIGHT: 172.98 lbs.
 DOES NOT INCLUDE WEIGHT OF POWER OR PACKAGING!!!

*** ANY ADDITIONS, DELETIONS, OR OMISSIONS MUST BE CORRECTED ON THIS DRAWING AS THIS DRAWING WILL BE CONSIDERED ALL INCLUSIVE ***
 ALL GRAPHICS PROVIDED ARE FOR REFERENCE ONLY. IF CERTAIN DIMENSIONS ARE CRITICAL PLEASE VERIFY THOSE DIMENSIONS WITH YOUR SALESPERSON

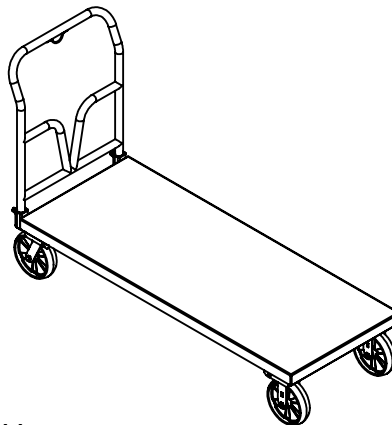


STANDARD FEATURES

- MODEL NUMBER IS SPT-2460
- CAPACITY: 3,600 LBS.
- DECK SIZE: 24" X 60"
- PLATFORM HEIGHT: 11 3/4"
- OVERALL HEIGHT IS 40"
- OVERALL LENGTH IS 64 1/2"
- Ø8"x2" GLASS-FILLED-NYLON CASTERS
 - 2- RIGID CASTERS
 - 2- SWIVEL CASTERS
- 1- FLOOR LOCK
- TOUGH BAKED IN POWDER COAT BLUE FINISH

SPECIAL FEATURES

NONE



APPROVAL

I, THE UNDERSIGNED, AGREE THAT THE PRODUCT AS REPRESENTED SATISFIES DESIGN AND DIMENSION REQUIREMENTS. I ALSO ACKNOWLEDGE MY DUTY TO CONFIRM PRODUCT AND INSTALLATION COMPLIANCE WITH ALL APPLICABLE FEDERAL, STATE AND LOCAL REGULATIONS AND STANDARDS.
UNITS REQUIRING APPROVAL DRAWINGS OR MODIFIED ARE NON-RETURNABLE
 As drawn As marked

Signed: _____ Date: _____

Printed Name: _____

LEAD TIME WILL START UPON RECEIPT OF SIGNED APPROVAL DRAWING

DISTRIBUTOR'S NAME:		P.O.#
VESTIL MANUFACTURING		X
DRAWN BY: TAL	DATE: 6/15/2021	W.O.#
REFERENCE: X	SCALE: 1:12	X
QUOTED LEAD TIME: X	QUOTE #	FILE NAME:
	X	33-007-400