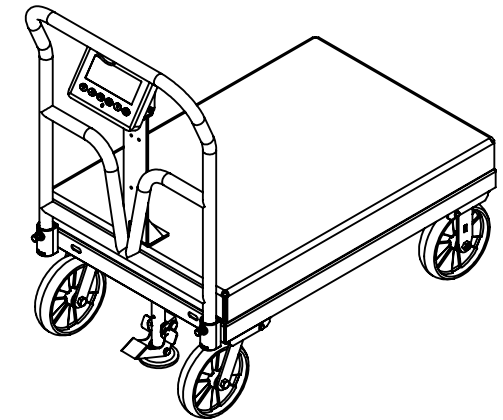
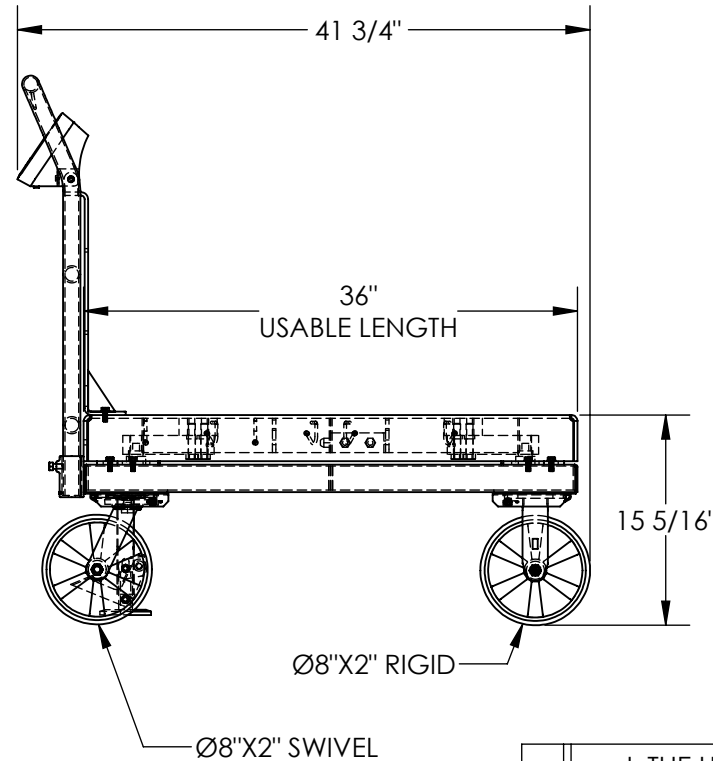
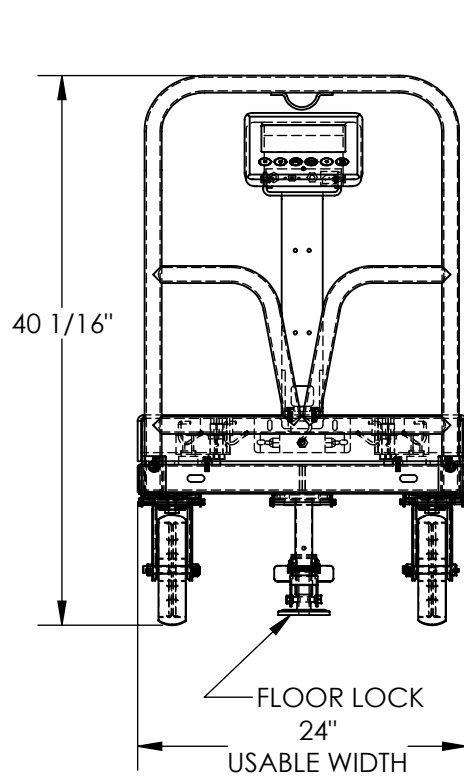


STEEL PLATFORM TRUCKS WITH SCALE - SPT-2436-SCL

APPROX WEIGHT: 309.48 lbs.
 DOES NOT INCLUDE WEIGHT OF POWER OR PACKAGING!!!

*** ANY ADDITIONS, DELETIONS, OR OMISSIONS MUST BE CORRECTED ON THIS DRAWING AS THIS DRAWING WILL BE CONSIDERED ALL INCLUSIVE ***

ALL GRAPHICS PROVIDED ARE FOR REFERENCE ONLY. IF CERTAIN DIMENSIONS ARE CRITICAL PLEASE VERIFY THOSE DIMENSIONS WITH YOUR SALESPERSON



DIMENSION TOLERANCE ± 1/4"

STANDARD FEATURES

- MODEL NUMBER: SPT-2436-SCL
- CAPACITY: 3,600 LBS
- DECK SIZE: 24" X 36"
- PLATFORM HEIGHT: 15 5/16"
- OVERALL HEIGHT IS 40 1/16"
- OVERALL LENGTH IS 41 3/4"
- Ø8" X 2" GLASS-FILLED-NYLON CASTERS
- 2- RIGID CASTERS
- 2- SWIVEL CASTERS
- 1- FLOOR LOCK
- TOUGH BAKED IN POWDER COATED BLUE FINISH

SPECIAL FEATURES

NONE

APPROVAL

I, THE UNDERSIGNED, AGREE THAT THE PRODUCT AS REPRESENTED SATISFIES DESIGN AND DIMENSION REQUIREMENTS. I ALSO ACKNOWLEDGE MY DUTY TO CONFIRM PRODUCT AND INSTALLATION COMPLIANCE WITH ALL APPLICABLE FEDERAL, STATE AND LOCAL REGULATIONS AND STANDARDS.

UNITS REQUIRING APPROVAL DRAWINGS OR MODIFIED ARE NON-RETURNABLE

As drawn As marked

Signed: _____ Date: _____

Printed Name: _____

LEAD TIME WILL START UPON RECEIPT OF SIGNED APPROVAL DRAWING

DISTRIBUTOR'S NAME:		P.O.#
VESTIL MANUFACTURING		X
W.O.#	DATE: 7/1/2021	X
SALES: X	SCALE: 1:14	FILE NAME:
QUOTED LEAD TIME: X	QUOTE # X	33-007-399