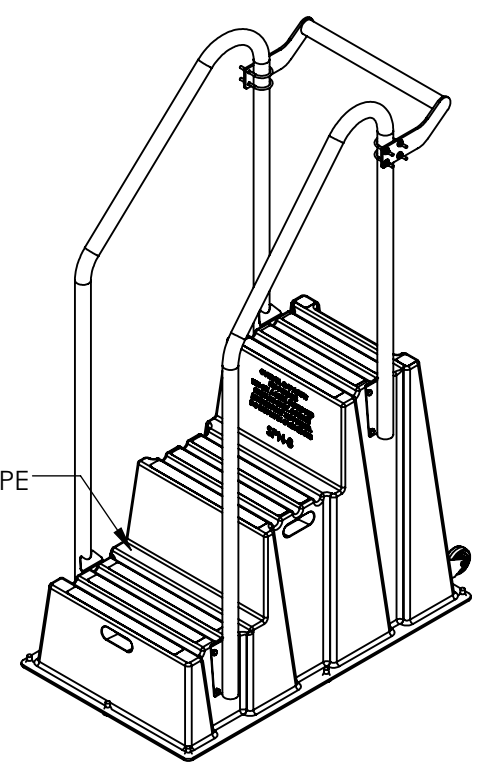
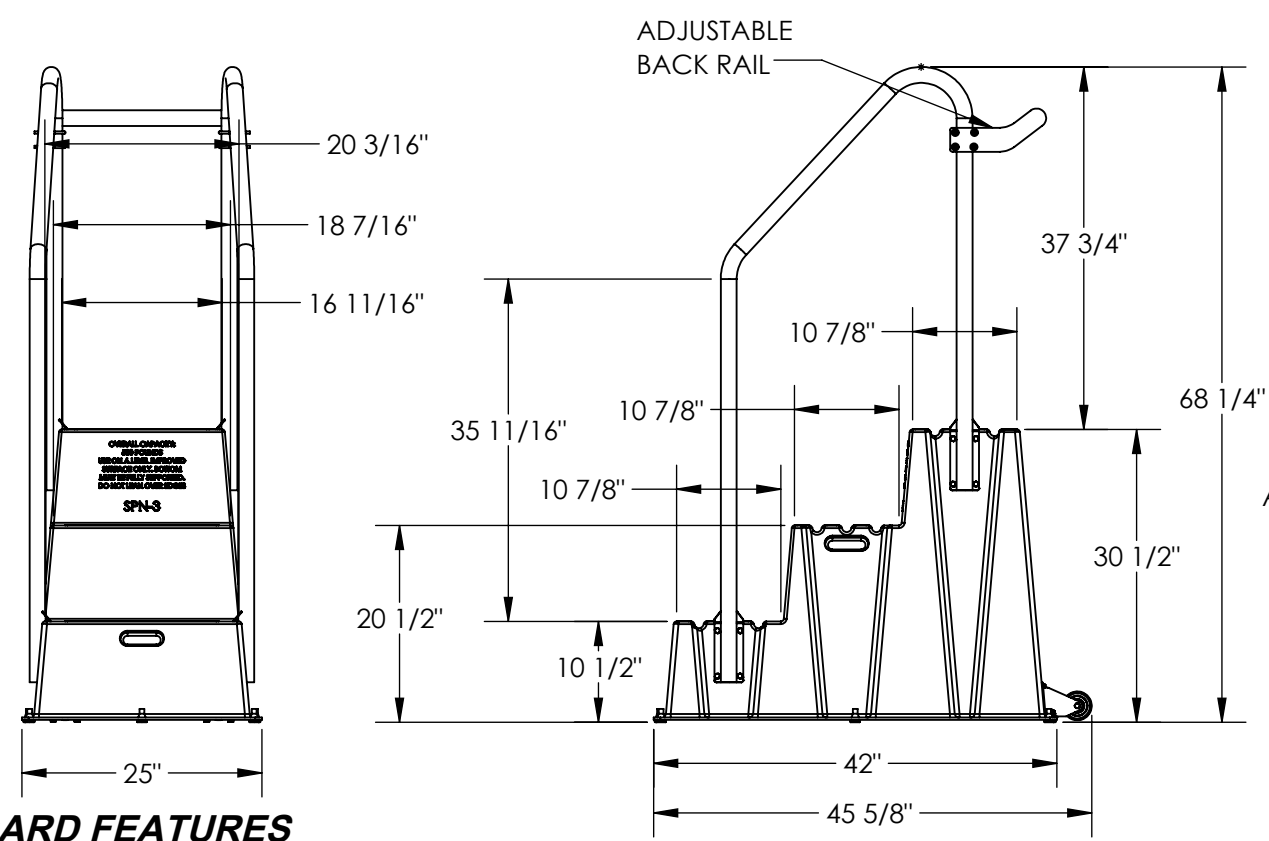


NESTABLE STEP STOOL W/ HANDRAILS, CASTERS, & BACK RAIL - SPN-3-YL-HR-BR-PO APPROX WEIGHT: 85 lbs. DOES NOT INCLUDE WEIGHT OF POWER OR PACKAGING!!!

*** ANY ADDITIONS, DELETIONS, OR OMISSIONS MUST BE CORRECTED ON THIS DRAWING AS THIS DRAWING WILL BE CONSIDERED ALL INCLUSIVE *** ALL GRAPHICS PROVIDED ARE FOR REFERENCE ONLY. IF CERTAIN DIMENSIONS ARE CRITICAL PLEASE VERIFY THOSE DIMENSIONS WITH YOUR SALESPERSON



DIMENSION TOLERANCE ± 1/4"

STANDARD FEATURES

MODEL NUMBER IS SPN-3-YL-HR-BR-PO
 OVERALL WIDTH IS 25"
 OVERALL LENGTH IS 45 5/8"
 OVERALL HEIGHT IS 68 1/4"
 FIRST STEP HEIGHT IS 10 1/2"
 SECOND STEP HEIGHT IS 20 1/2"
 THIRD STEP HEIGHT IS 30 1/2"
 FIRST STEP IS 20 3/16" X 10 7/8"
 SECOND STEP IS 18 7/16" X 10 7/8"
 THIRD STEP IS 16 11/16" X 10 7/8"
 MAX CAPACITY IS 500 LBS.
 MADE OF MEDIUM DENSITY POLYETHYLENE
 COMES WITH ANTI-SLIP TAPE ON STEP SURFACE
 INCLUDES BOLT-ON HANDRAILS, CASTERS, & BACK RAIL
 COLOR IS SAFETY YELLOW

SPECIAL FEATURES

NONE

APPROVAL

I, THE UNDERSIGNED, AGREE THAT THE PRODUCT AS REPRESENTED SATISFIES DESIGN AND DIMENSION REQUIREMENTS. I ALSO ACKNOWLEDGE MY DUTY TO CONFIRM PRODUCT AND INSTALLATION COMPLIANCE WITH ALL APPLICABLE FEDERAL, STATE AND LOCAL REGULATIONS AND STANDARDS.

ANY MODIFIED UNITS ARE NON-RETURNABLE

[] As drawn [] As marked

Signed: _____ Date: _____

Printed Name: _____

LEAD TIME WILL START UPON RECEIPT OF SIGNED APPROVAL DRAWING

FOR INTERNAL USE ONLY PROJECT SIGN OFF	
SALES	
ENG.	
FAB.	
POWER	

DISTRIBUTOR'S NAME:		P.O.#
VESTIL MANUFACTURING		X
DRAWN BY: KGH		W.O.#
DATE: 1/15/2020		X
REFERENCE: X	SCALE: 1:20	SALES: X
QUOTED LEAD TIME: X	QUOTE #	FILE NAME:
	X	14-007-327