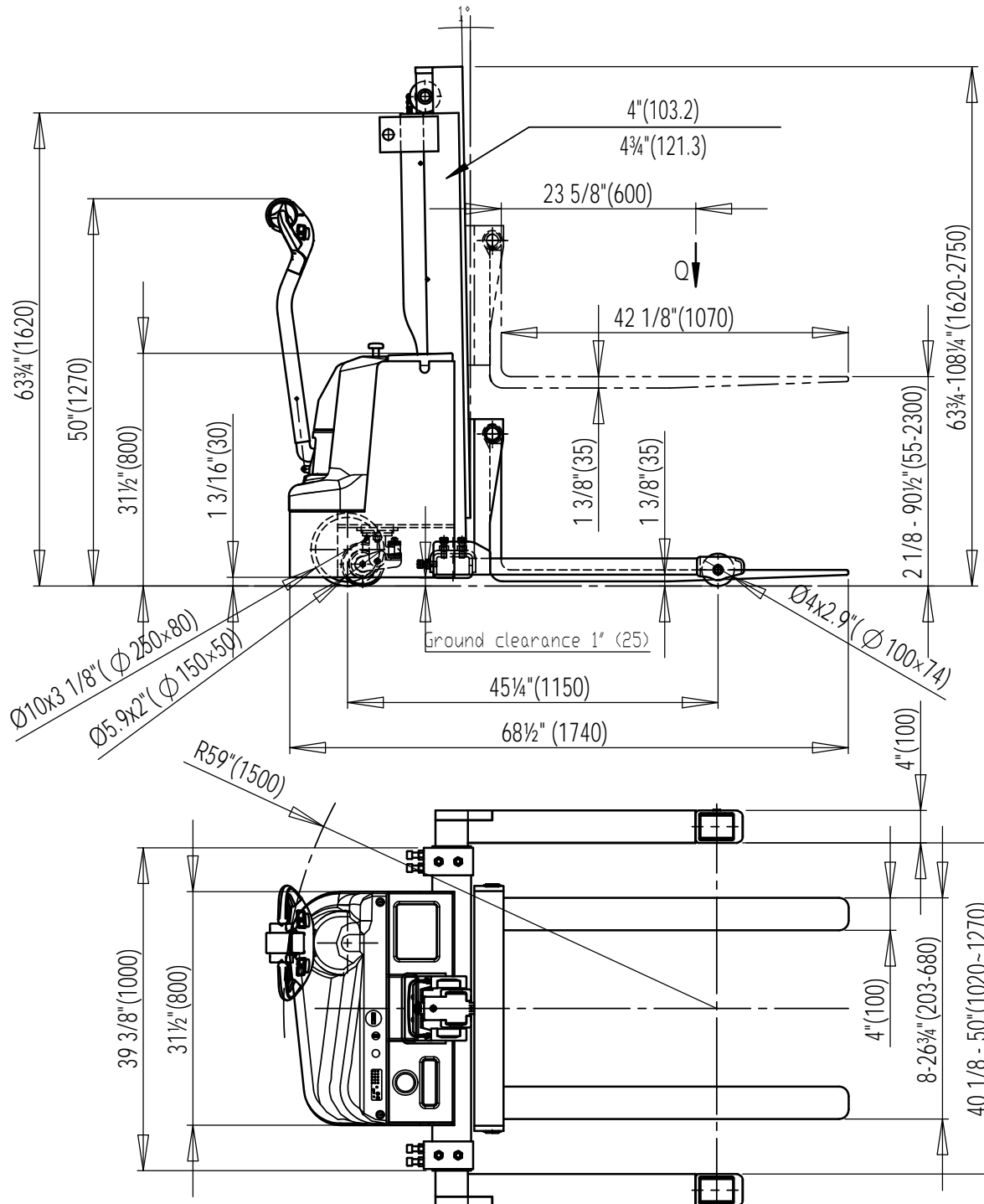


SNM-90-AA (Fully Electric Stacker with Adjustable Forks & Adjustable Legs)



Specifications
 Model # SNM-90-AA
 Capacity (UDL): 2,500 lbs up to 62"
 Capacity (UDL): 2,000 lbs 90"
 Lift height: 90 1/2"
 Lowered height: 2 1/8"
 Adjustable Forks & adjustable legs
 Overall mast height (Retracted): 63 3/4"
 Overall mast height (Extended): 108 1/4"
 Drive wheel: Ø10x3"
 Front wheel: Ø4x2.9"
 Stabilizer wheel: Ø5.9x2.0"
 Handle: CH-2
 Drive Motor: DC24V/1.0Kw
 Lift Motor: DC24V/2.0Kw
 Battery: 2x12V/70-80Ah
 Battery Charger: 24V/12amp
 Travel Speed w/load: 3.1m/h
 Travel Speed w/o load: 3.8m/h

VESTIL MANUFACTURING CORP.	
Model:	SNM-90-AA
Descrip:	Narrow Mast Fully Electric Stacker with Adjustable Forks & Adjustable Legs
Design:	T.M
Date:	01/16/2016