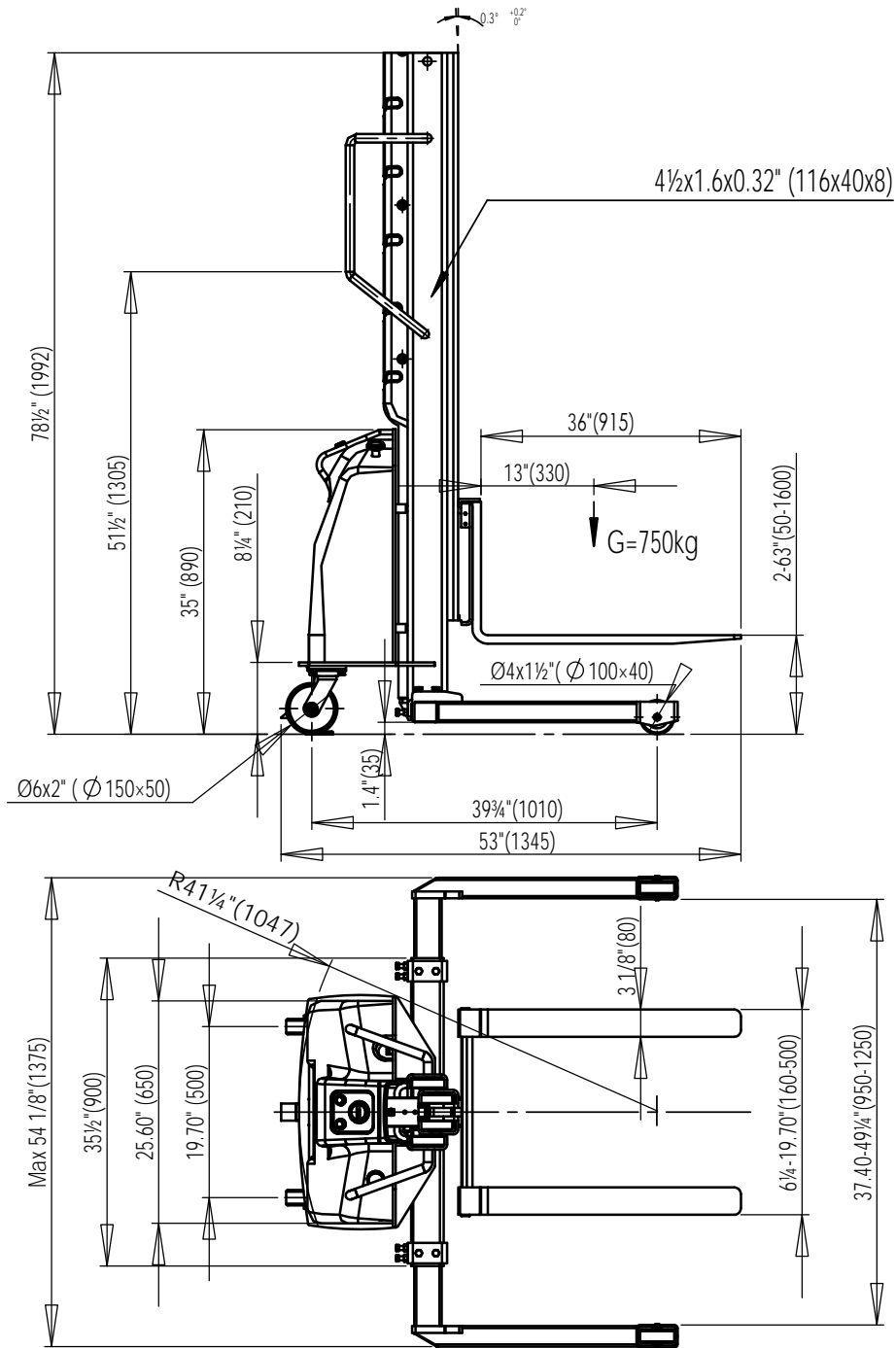


**SLNM15-63-AA (Narrow Mast Semi-Electric Stacker with Adjustable Legs and Adjustable Forks)**



Specifications  
 Model # SLNM15-63-AA  
 Capacity (UDL): 1,500 lbs (680 kgs) Lift  
 Height: 63" (1600mm)  
 Lowered Height: 2" (50mm)  
 Adjustable Forks and Adjustable Legs  
 Overall Mast Height: 78 1/2" (1920mm)  
 Lift Motor: DC12V/1.3KW  
 Battery: 12V/140Ah  
 Battery Charger: 12V/6amp

Raise Time Loaded: 5.9"/s  
 Raise Time Unloaded: 2.95"/s  
 Downtime Loaded: 4"/s  
 Downtime Unloaded: 3.15"/s

VESTIL MANUFACTURING CORP	
Model:	SLNM15-63-AA
Descrip:	Narrow Mast Semi-Electric Stacker with Adjustable Forks and Adjustable Legs
Design:	T.M
Date:	08/27/2015