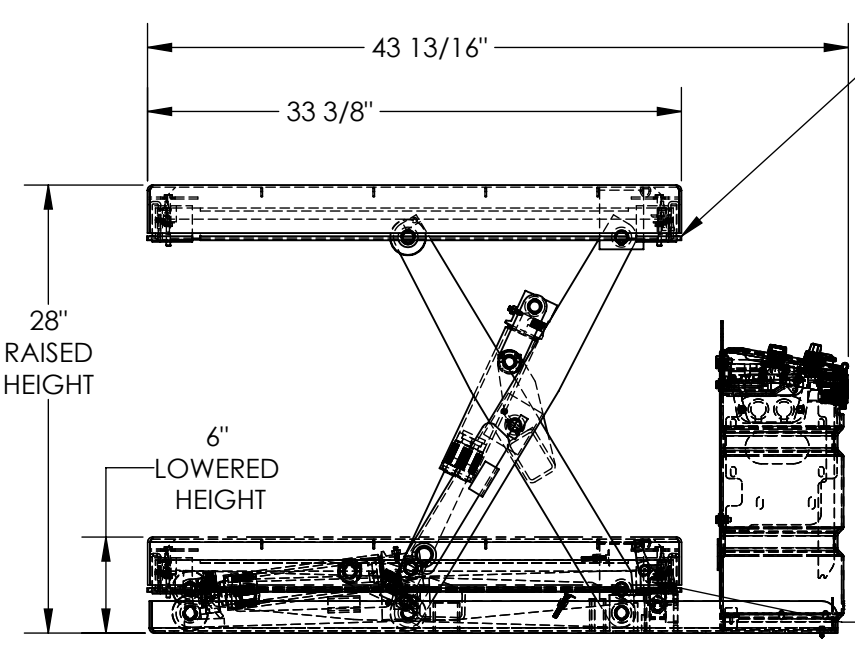


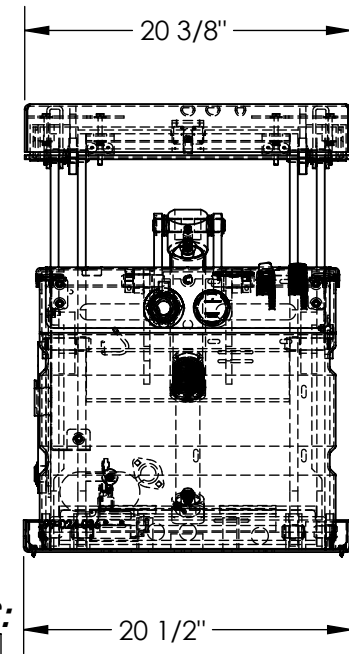
# DC POWERED HYDRAULIC SCISSOR LIFT TABLE - SCTAB-500-2033-AC

APPROX WEIGHT: 219.55 lbs.  
DOES NOT INCLUDE WEIGHT OF POWER OR PACKAGING!!!

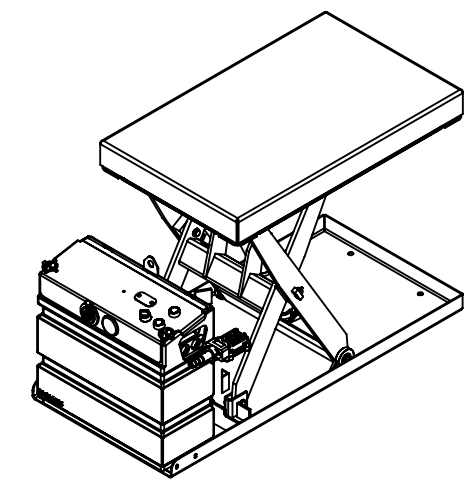
\*\*\* ANY ADDITIONS, DELETIONS, OR OMISSIONS MUST BE CORRECTED ON THIS DRAWING AS THIS DRAWING WILL BE CONSIDERED ALL INCLUSIVE \*\*\*  
ALL GRAPHICS PROVIDED ARE FOR REFERENCE ONLY. IF CERTAIN DIMENSIONS ARE CRITICAL PLEASE VERIFY THOSE DIMENSIONS WITH YOUR SALESPERSON



ELECTRIC TOEGUARDS  
(STOP TABLE FROM  
LOWERING IF BUMPED)  
MEETS OSHA 1910.212



DECK TOLERANCE  $\pm 1/2''$   
TABLE HEIGHT TOLERANCES  $\pm 1/2''$   
DECK FLATNESS  $\pm 1/4''$



DIMENSION TOLERANCE  $\pm 1/4''$

**PLEASE CIRCLE SPECIFICATIONS:**

|                                 |  |   |   |
|---------------------------------|--|---|---|
| POWER                           | <input checked="" type="checkbox"/> AC   | <input type="checkbox"/> DC (12V)         | <input type="checkbox"/> AIR/OIL        |
| MOTOR VOLTAGE                   | <input type="checkbox"/> 115             | <input type="checkbox"/> 208              | <input checked="" type="checkbox"/> 230 |
| DEDICATED CIRCUIT REQUIRED 60Hz |  |   |   |
| MOTOR PHASE                     | <input type="checkbox"/> SINGLE          | <input checked="" type="checkbox"/> THREE |   |
| CONTROL                         | <input checked="" type="checkbox"/> HAND | <input type="checkbox"/> FOOT             |   |

**STANDARD FEATURES**

- MODEL NUMBER IS SCTAB-500-2033-AC
- DECK WIDTH IS 20 3/8"
- DECK LENGTH IS 33 3/8"
- RAISED HEIGHT IS 28"
- LOWERED HEIGHT IS 6"
- TABLE CAPACITY (EVENLY DISTRIBUTED)
- MAX CAPACITY IS 500 LBS.
- CONTROL IS HANDHELD 2 BUTTON, NEMA 4 PENDANT WITH MINIMUM 8' USABLE COIL CORD
- SAFETY MAINTENANCE PROPS DISPLACEMENT
- STYLE CYLINDERS INSTALLED ROD DOWN
- EMERGENCY SAFETY STOP HYDRAULIC FUSES
- UPPER TRAVEL LIMIT SWITCH
- ELECTRIC PINCH POINT GUARD
- DURABLE LIQUID PAINT BLUE FINISH

**SPECIAL FEATURES**

NONE

**APPROVAL**

I, THE UNDERSIGNED, AGREE THAT THE PRODUCT AS REPRESENTED SATISFIES DESIGN AND DIMENSION REQUIREMENTS. I ALSO ACKNOWLEDGE MY DUTY TO CONFIRM PRODUCT AND INSTALLATION COMPLIANCE WITH ALL APPLICABLE FEDERAL, STATE AND LOCAL REGULATIONS AND STANDARDS.

**ANY MODIFIED UNITS ARE NON-RETURNABLE**

[ ] As drawn      [ ] As marked

Signed: \_\_\_\_\_ Date: \_\_\_\_\_

Printed Name: \_\_\_\_\_

**LEAD TIME WILL START UPON RECEIPT OF SIGNED APPROVAL DRAWING**

FOR INTERNAL USE ONLY  
PROJECT SIGN OFF

|       |  |
|-------|--|
| SALES |  |
| ENG.  |  |
| FAB.  |  |
| POWER |  |

|                      |                  |            |
|----------------------|------------------|------------|
| DISTRIBUTOR'S NAME:  |                  | P.O.#      |
| VESTIL MANUFACTURING |                  | X          |
| W.O.#                |                  | X          |
| DRAWN BY: CRA        | DATE: 10/19/2017 | SALES: X   |
| REFERENCE: X         | SCALE: 1:12      | FILE NAME: |
| QUOTED LEAD TIME: X  | QUOTE # X        | 01-007-394 |