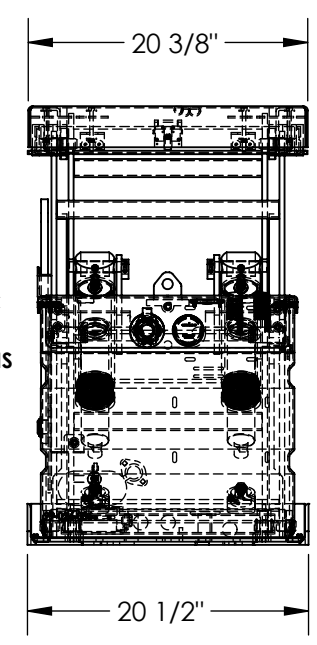
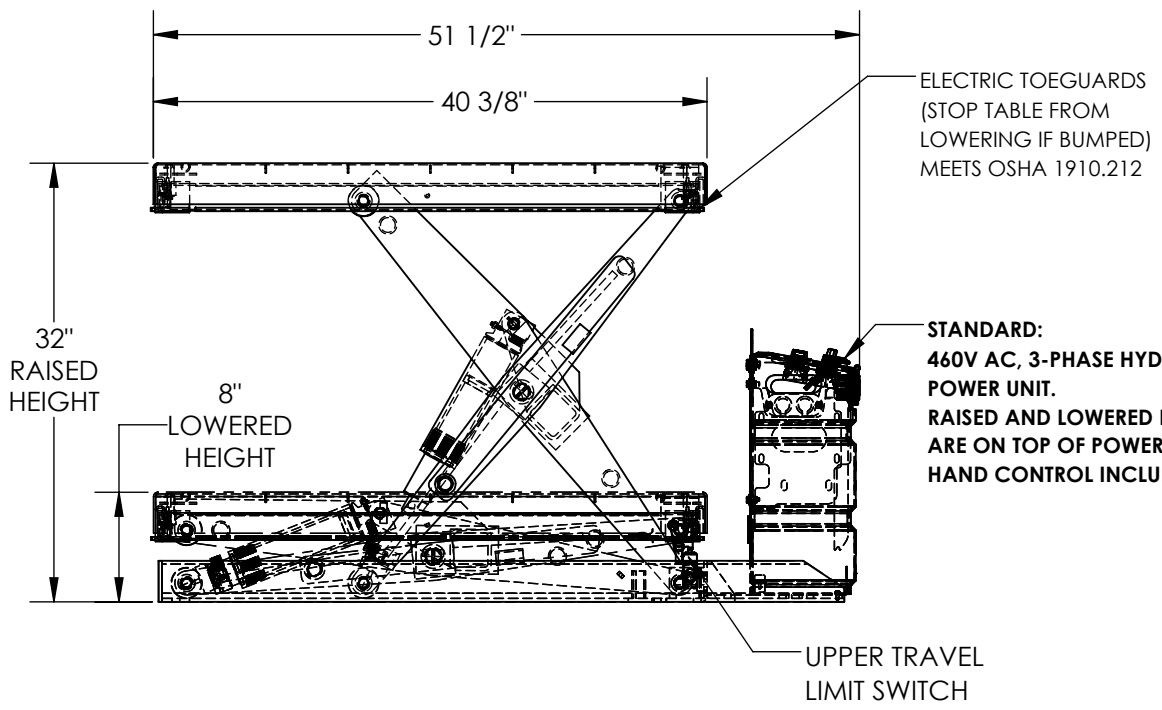


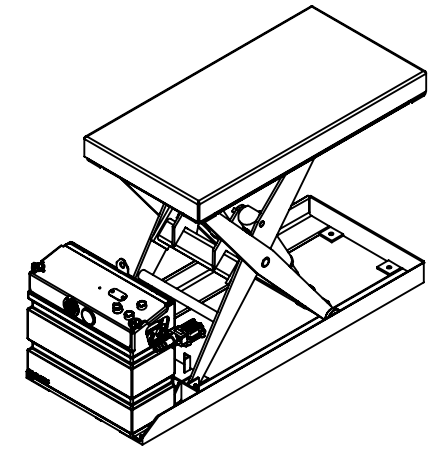
AC POWERED HYDRAULIC SCISSOR LIFTTABLE- SCTAB-2500-2040-AC

APPROX WEIGHT: 310.53 lbs.
 DOES NOT INCLUDE WEIGHT OF POWER OR PACKAGING!!!

*** ANY ADDITIONS, DELETIONS, OR OMISSIONS MUST BE CORRECTED ON THIS DRAWING AS THIS DRAWING WILL BE CONSIDERED ALL INCLUSIVE ***
 ALL GRAPHICS PROVIDED ARE FOR REFERENCE ONLY. IF CERTAIN DIMENSIONS ARE CRITICAL PLEASE VERIFY THOSE DIMENSIONS WITH YOUR SALESPERSON



DECK TOLERANCE $\pm 1/2$ "
 TABLE HEIGHT TOLERANCES $\pm 1/2$ "
 DECK FLATNESS $\pm 1/4$ "



STANDARD FEATURES

MODEL NUMBER IS SCTAB-2500-2040-AC
 DECK WIDTH IS 20 3/8"
 DECK LENGTH IS 40 3/8"
 RAISED HEIGHT IS 32"
 LOWERED HEIGHT IS 8"
 TABLE CAPACITY (EVENLY DISTRIBUTED)
 MAX CAPACITY IS 2,500 LBS
 CONTROL IS HANDHELD 2 BUTTON, NEMA 4 PENDANT
 WITH MINIMUM 8' USABLE COIL CORD
 SAFETY MAINTENANCE PROPS, DISPLACEMENT
 STYLE CYLINDERS INSTALLED ROD DOWN
 EMERGENCY SAFETY STOP HYDRAULIC FUSES
 UPPER TRAVEL LIMIT SWITCH
 ELECTRIC PINCH POINT GUARD
 DURABLE LIQUID PAINT BLUE FINISH

SPECIAL FEATURES

NONE

PLEASE CIRCLE SPECIFICATIONS:

POWER	<input checked="" type="checkbox"/> AC	<input type="checkbox"/> DC (12V)	<input type="checkbox"/> AIR/OIL
MOTOR VOLTAGE	<input type="checkbox"/> 115	<input type="checkbox"/> 208	<input checked="" type="checkbox"/> 230 460
DEDICATED CIRCUIT REQUIRED 60Hz			
MOTOR PHASE	<input type="checkbox"/> SINGLE		<input type="checkbox"/> THREE
CONTROL	<input type="checkbox"/> HAND		<input type="checkbox"/> FOOT

FOR INTERNAL USE ONLY PROJECT SIGN OFF	
SALES	
ENG.	
FAB.	
POWER	

DIMENSION TOLERANCE $\pm 1/4$ "

I, THE UNDERSIGNED, AGREE THAT THE PRODUCT AS REPRESENTED SATISFIES DESIGN AND DIMENSION REQUIREMENTS. I ALSO ACKNOWLEDGE MY DUTY TO CONFIRM PRODUCT AND INSTALLATION COMPLIANCE WITH ALL APPLICABLE FEDERAL, STATE AND LOCAL REGULATIONS AND STANDARDS.

ANY MODIFIED UNITS ARE NON-RETURNABLE

[] As drawn [] As marked

Signed: _____ Date: _____

Printed Name: _____

LEAD TIME WILL START UPON RECEIPT OF SIGNED APPROVAL DRAWING

DISTRIBUTOR'S NAME:		P.O.#
VESTIL MANUFACTURING		X
DRAWN BY: CRA		W.O.#
DATE: 06/03/2019		X
REFERENCE: X	SCALE: 1:14	SALES: X
QUOTED LEAD TIME: X	QUOTE #	FILE NAME:
	X	01-007-399