



## Vestil Manufacturing Corp.

2999 North Wayne Street, P.O. Box 507, Angola, IN 46703

Telephone: (260) 665-7586 -or- Toll Free (800) 348-0868

Fax: (260) 665-1339

www.vestilmfg.com e-mail: [info@vestil.com](mailto:info@vestil.com)

# S-FORK-4-AT HOIST HOOK FORK TRUCK ATTACHMENT INSTRUCTION MANUAL



### Receiving instructions:

After delivery, remove the packaging from the product. Inspect the product closely to determine whether it sustained damage during transport. If damage is discovered, record a complete description of it on the bill of lading. If the product is undamaged, discard the packaging.

### NOTE:

The end-user is solely responsible for confirming that product design, installation, use, and maintenance comply with laws, regulations, codes, and mandatory standards applied where the product is used.

### **Table of Contents**

Product Introduction .....	2
Signal Words .....	2
Safe Use Recommendations .....	2
FIG. 1: S-FORK-4-AT Exploded Parts Diagram.....	3
Use Instructions.....	4
Inspections & Maintenance.....	5
Labeling diagram.....	6
Limited Warranty.....	7

## Signal Words:

This manual uses SIGNAL WORDS to indicate the likelihood of personal injuries, as well as the probable seriousness of those injuries, if the product is misused in the ways described. Other signal words call attention to uses of the product likely cause property damage.



**Identifies a hazardous situation which, if not avoided, WILL result in DEATH or SERIOUS INJURY. Use of this signal word is limited to the most extreme situations.**



**Identifies a hazardous situation which, if not avoided, COULD result in DEATH or SERIOUS INJURY.**



**Indicates a hazardous situation which, if not avoided, COULD result in MINOR or MODERATE injury**



**Identifies practices likely to result in product/property damage, such as operation that might damage the fork attachment (hoist hook).**

## Safe Use Recommendations:

Vestil strives to identify foreseeable hazards associated with the use of its products. However, material handling is dangerous and no manual can address every conceivable risk. The end-user ultimately is responsible for exercising sound judgment at all times.



**Improper use might result in serious personal injuries. Therefore, EVERY PERSON who might use, perform maintenance on, or service the fork attachment must understand and apply all of the following recommendations:**

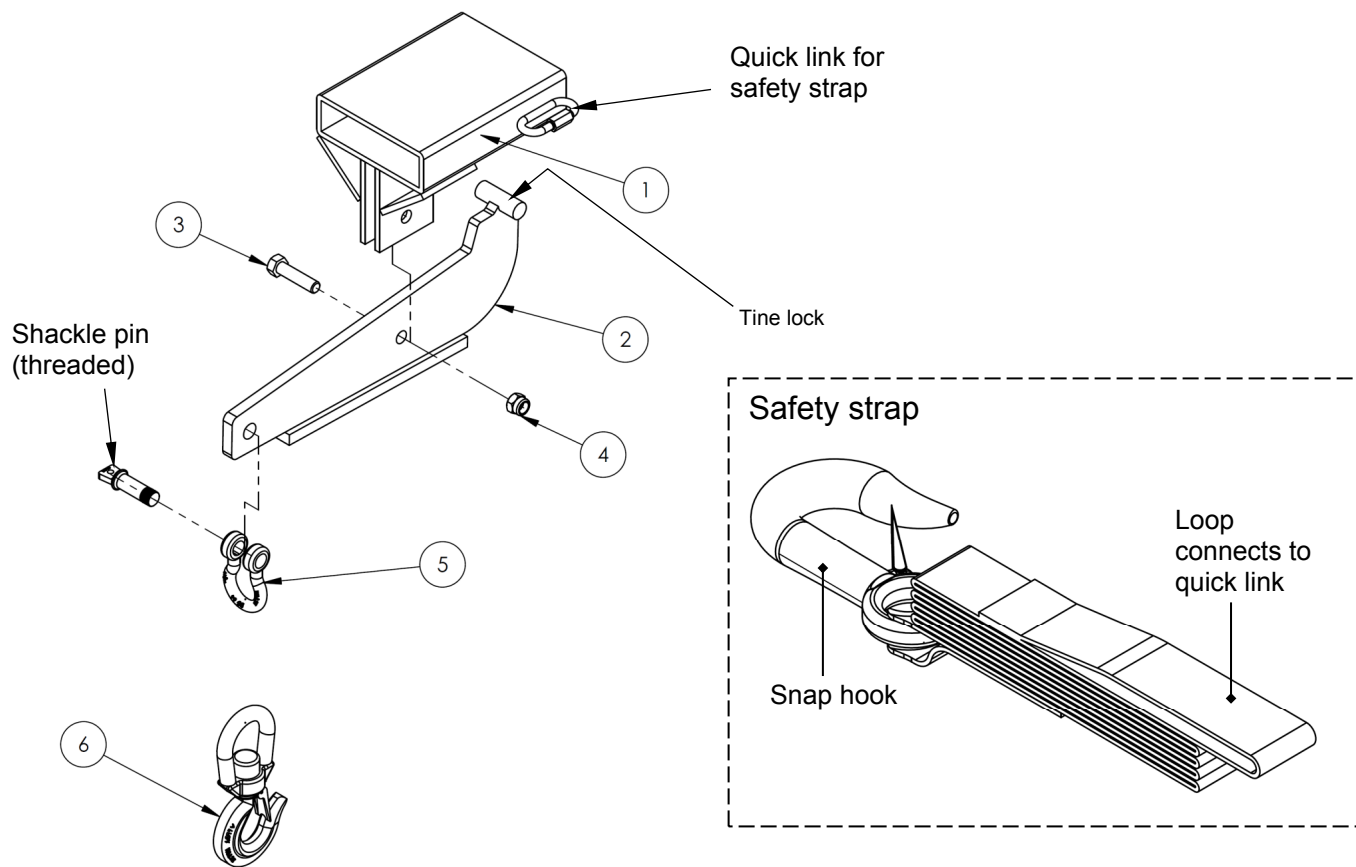
- DO NOT attempt to resolve any problem with the fork attachment unless: 1) you are authorized to do so; AND 2) you are certain that it will be safe to use afterwards.
- Always make sure that the shackle pin (see Exploded Parts Diagram on p. 3) is secure before applying a load to the load hook. Tighten the pin before each use.
- DO NOT use the device unless it is in normal operating condition. Inspect and maintain the device as suggested in "Inspections & Maintenance" on p. 5. DO NOT use the attachment until it is restored to normal condition.
- Attach rigging to the load and to the hook in a manner that minimizes load swing as the load is lifted off of the ground. Load swing could result in serious injuries.
- DO NOT leave an elevated load unattended. Lower the forks until the load is fully supported by the ground and disengage the load from the hook before leaving it unattended.
- DO NOT alter the device from its original configuration. Unauthorized modifications might make the fork attachment unsafe to use and automatically void the limited warranty.
- DO NOT use this fork attachment to lift a load that cannot be adequately stabilized when elevated. ALWAYS apply the relevant lifting practices applied at your worksite.
- DO NOT sit on or apply any weight/pressure to a suspended load.
- Account for the possibility of load swing by making sure that the load and rigging are oriented to prevent tipping, rolling, etc. when the load is lifted from the ground. Swinging motion could result in serious injuries.
- DO NOT attempt to lift a load that weighs more than the rated load of this forklift attachment, the rigging, OR the lift truck, *whichever is smallest*. ALWAYS make sure that the net weight applied to the fork attachment does not exceed the rated load of the attachment, rigging, OR the lift truck, whichever is smallest.
- DO NOT lift a load higher than necessary. (See "Use Instructions" on p. 4).
- DO NOT raise a load above people or allow anyone to stand or reach beneath a suspended load.
- NEVER use the device to lift a load over people or to lift any apparatus that supports people, e.g. a work platform. ONLY use the device to move material.



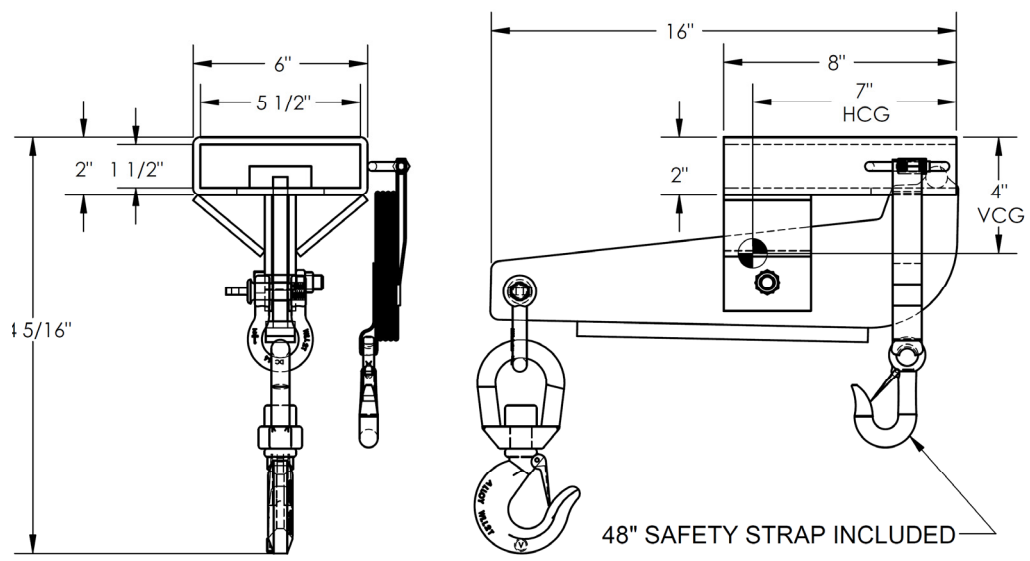
**To maximize the service life of the fork attachment:**

- Use only replacement parts supplied or approved by the manufacturer.
- ALWAYS store the device in a dry location.
- Maintain the product as suggested in "Maintenance & Inspections" on p. 5.

**FIG. 1: Exploded Parts Diagram and Bill of Materials**



Item	Part No.	Description	Quantity
1	08-528-218	Fork tube weldment	1
2	08-514-218	Tension arm weldment	1
3	13211	1/2 inch – 13 x 2 inch HHCS #5 zinc-plated bolt	1
4	37030	1/2 inch – 13 nylon insert lock nut	1
5.1 5.2	08-145-010	Bow Shackle: 2-ton maximum rated load Shackle pin	1
6	08-145-001	Load hook: 2-ton maximum rated load	1
7	08-145-028	Fork attachment safety strap	1



<b>Model</b>	S-FORK-4-AT
<b>Capacity</b>	4,000 lb.
<b>Net weight</b>	24 lb.
DO NOT exceed load center ratings of your fork truck. Contact the manufacturer of your fork truck for load center information.	

## Use Instructions:

Only trained, designated persons should use the fork attachment. "Designated person" means someone selected by his employer to use the device. Trainees under the direct supervision of a designated person also may use the S-Fork. Maintenance personnel also may use the S-Fork when necessary to perform employment duties.

### Step 1: Inspect the S-Fork.

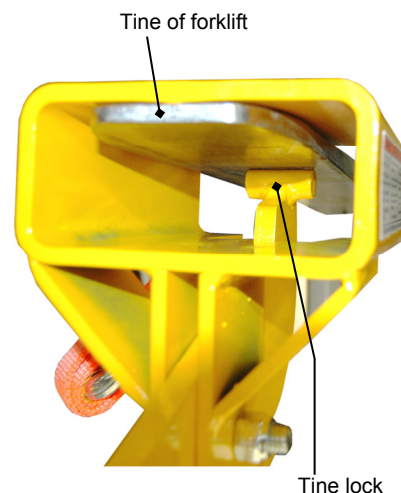
The user should perform an "Inspection Before & During EVERY Lift" on p. 5, prior to connecting the attachment to the tine of a fork truck. Proceed to the next step ONLY IF the attachment passes the inspection.

Step 2: Connect S-FORK to a fork truck tine. Slide the device over the end of a tine; then position the S-Fork at the desired point along the length of the fork tine.



Step 3: Attach the safety strap to the carriage of the fork truck **WITHOUT** slack. Remove slack from the strap by pulling it taut. Then, attach the snap hook either to the strap or the carriage. Pull the strap from the end that connects to the quick link (see FIG. 1 on p. 3). Verify that the S-Fork cannot slide off of the end of the tine by tilting the fork truck mast forward.

**NOTE:** While unloaded, the S-Fork can still slide toward the lift carriage. The weight of the load suspended from the hook causes the tine lock to press against the underside of the tine.



### Step 4: Connect the load to the load hook.

Position the S-FORK above the load and adjust the vertical position as necessary. Follow the lifting/hoisting procedures applied at your worksite to properly attach rigging to the load and to attach the rigging to the hook. Account for the possibility of load swing by making sure that the load and rigging are oriented to prevent tipping, rolling, etc. when the load is lifted from the ground. Swinging motion could result in serious injuries.

### Step 5: Test the connection between the hook and the load.

Raise the forks sufficiently to elevate the load just a few inches above the ground. Verify that the connection is sound by leaving the load suspended for a moment. Proceed to the next step only if the connection is stable.

**WARNING** DO NOT attempt to lift and/or transport a load if a secure connection cannot be achieved. Return the load to the ground and adjust the connection; then repeat step 5. If the connection still is not stable, return the load to the ground and select a different lifting device to lift and move the load.

### Step 6: Transport the load to the intended location.

Slowly drive the forklift to the desired location and adjust the driving speed to minimize the degree of drum swing. Always follow the procedures applied at your worksite for safely hoisting material and operating a forklift.

- NOTES:**
- 1) The load will swing more significantly the greater the driving speed. Drive slowly to minimize load movement during transport.
  - 2) The load will tend to swing opposite the direction of a turn and will swing out in front of the forklift during braking. Apply the brakes gradually. Reduce speed during all turns to minimize the effect on the suspended load.

### Step 7: Return the load to the ground and disconnect it from the hook.

Before lowering the load, make sure that it is not swinging or rotating. Set the load on a flat, level surface to prevent unintended/uncontrolled movement as the load settles. Slowly lower the forks until the load contacts the ground. Continue to lower the load to create slack in the rigging and then disconnect the rigging from the hook. DO NOT disconnect the load from the hook until the load is immobilized (if necessary) to prevent it from rolling, falling over, etc.

## Inspections & Maintenance:

A designated person must verify that the S-FORK complies with all regulations, codes, and standards that apply to hoisting devices in the location where it is *used*. A person designated to conduct inspections by your employer must do so before the S-FORK is used for the first time and prior to EACH use thereafter.

### Inspections:

**⚠WARNING** DO NOT use an S-FORK that is structurally damaged. Structural damage includes, but is not limited to, bending, warping, cracking or other deformation of one or more of the following components: shackle; tension arm weldment; or fork tube weldment (see FIG. 1 on p. 3). Restore the S-FORK to normal operating condition BEFORE using it again.

Routine: visual examination must be performed by the operator prior to AND during each lift. In particular, the *operator* should:

1. Inspect for and remove all debris on load surfaces of the load hook, especially debris that might interfere with or prevent the S-Fork from adequately engaging the load; AND
2. Inspect the S-FORK to confirm that all parts are in normal operating condition.

Frequent Inspection: maintenance personnel or other *designated person(s)* should visually inspect the S-Fork at least once per month for:

1. Deformations, cracks, or excessive wear of any part of the S-Fork, including fasteners (nuts, bolts, and washers). Inspect the load hook according to the recommendations of ASME B30.10;
2. Loose or missing fasteners;
3. Excessive wear-and-tear to the safety strap or snap hook (at the free end of the strap).

### Maintenance:

Implement a maintenance program to ensure that the product remains in normal operating condition. A qualified person may establish a program used in preference to the maintenance procedures described below. However, if you apply the following procedure, complete every step each time maintenance is performed.

**NOTE**: ONLY qualified persons should perform maintenance on the S-FORK. A qualified person is someone “who, by possession of a recognized degree in an applicable field or certificate of professional training, and experience, has successfully demonstrated the ability to solve or resolve problems relating to the subject matter [S-FORK] and work.” See ASME B30.16-2003, Section 16-0.2, p. 1.

Step 1: Disconnect the S-FORK from the forklift tine and tag it, “Out of Service.”

Step 2: Perform all adjustments found to be necessary during the inspection.

Step 3: If conditions exist that require replacement parts to repair, contact the manufacturer. Deformity, cracking, severe wear, significant corrosion/rusting, or excessive wear of structural members warrants immediate replacement of the entire unit.

**⚠WARNING** The reader should understand the significant difference between “Adjustments” or “Repairs,” and “Modifications”. An adjustment or repair refers to a simple correction that restores the S-FORK to normal operating condition, such as tightening loose fasteners, or removing debris from the surface of the device. A modification is a change that alters the S-Fork from normal operating condition, like bending the structural members. NEVER modify the S-Fork. Modifications may render the device unsafe to use and automatically void the limited warranty.

Step 4: Make a dated record of the repairs, adjustments and/or replacements made.

**Labeling diagram:**

The product should always be labeled as shown below. Replace any label that is damaged or not easily readable.

**A: Label #218 (on top of fork pocket)**

⚠ WARNING	⚠ ADVERTENCIAS
Improper use might result in death or serious personal injury. Attach device to fork carriage with safety chain/strap. • Drive lift truck forward until forks contact ends of fork pockets. • Chain/straps must not be able to disconnect (slide free) from carriage. • Safety chain/strap must be taut. Connect chain/strap to carriage via shortest line.	El uso impropio puede resultar en muerte o heridas personales. Atar aparato al mástil del montacargas con cadenas/correas. • Maneje el montacargas para adelante hasta que las cuñas hagan contacto con la orilla del bolsillo de las cuñas. • La cadenas y correas no deben de deslizarse (soltarse) del mástil del montacargas. • La cadena/correa de seguridad debe de estar apretado. Asegure la cadena/correa al mástil via la ruta mas corta.
	218 rev 0910

**B: Label #675 (on right side of fork pocket)**

⚠ WARNING	⚠ ADVERTENCIA
• DO NOT exceed rated capacity • DO NOT use if damaged, malfunctioning, or missing parts • DO NOT lift people OR lift loads over people • DO NOT raise load higher than necessary • DO NOT leave a suspended load unattended • DO NOT use lifter unless you read and understand the owner's manual • DO NOT alter OR modify lifter • DO NOT remove OR obscure any label • STAY CLEAR of suspended loads • Secure load before using this device	• NO exceda la capacidad tasada • NO USE is las partes estan dañadas, no funcionan correctamente o faltan partes. • NO eleve al personal o eleve cargas sobre el personal • NO eleve la carga mas alto de lo necesario • NO deje desatendida una carga que este suspendida • NO use el elevador a no ser que haya leído y entendido las instrucciones del manual del propietario • NO altere o modifique el elevador • NO quite u oscurezca ninguna etiqueta • MANTENGASE alejado de las cargas suspendidas • Asegure la carga antes de usar este dispositivo
	675 rev 1213

**C: Label #287 (covered with label 815; on left side of fork pocket)**

MODEL/MODÉLO/MODÈLE _____	
STATIC CAPACITY (evenly distributed) _____	lbs.
LA CAPACIDAD CONSTANTE (distribuida uniformemente) _____	kgs.
CAPACITÉ STATIQUE (distribuée régulièrement) _____	kgs.
SERIAL/SERIE/SÉRIE _____	

287 REV 0812



## LIMITED WARRANTY

Vestil Manufacturing Corporation ("Vestil") warrants this product to be free of defects in material and workmanship during the warranty period. *Our warranty obligation is to provide a replacement for a defective original part if the part is covered by the warranty, after we receive a proper request from the warrantee (you) for warranty service.*

### Who may request service?

Only a warrantee may request service. *You are a warrantee if* you purchased the product from Vestil or from an authorized distributor AND Vestil has been fully paid.

### What is an "original part"?

An original part is a part used to make the product as shipped to the warrantee.

### What is a "proper request"?

A request for warranty service is proper if Vestil receives: 1) a photocopy of the Customer Invoice that displays the shipping date; AND 2) a written request for warranty service including your name and phone number. Send requests by any of the following methods:

<u>Mail</u>	<u>Fax</u>	<u>Email</u>
Vestil Manufacturing Corporation 2999 North Wayne Street, PO Box 507 Angola, IN 46703	(260) 665-1339 <u>Phone</u> (260) 665-7586	sales@vestil.com

In the written request, list the parts believed to be defective and include the address where replacements should be delivered.

### What is covered under the warranty?

After Vestil receives your request for warranty service, an authorized representative will contact you to determine whether your claim is covered by the warranty. Before providing warranty service, Vestil may require you to send the entire product, or just the defective part or parts, to its facility in Angola, IN. The warranty covers defects in the following original dynamic components: motors, hydraulic pumps, electronic controllers, switches and cylinders. It also covers defects in original parts that wear under normal usage conditions ("wearing parts"), such as bearings, hoses, wheels, seals, brushes, and batteries.

### How long is the warranty period?

The warranty period for original dynamic components is 30 days. For wearing parts, the warranty period is 30 days. The warranty periods begin on the date when Vestil ships the product to the warrantee. If the product was purchased from an authorized distributor, the periods begin when the distributor ships the product. Vestil may, at its sole discretion, extend the warranty periods for products shipped from authorized distributors by *up to* 30 days to account for shipping time.

### If a defective part is covered by the warranty, what will Vestil do to correct the problem?

Vestil will provide an appropriate replacement for any *covered* part. An authorized representative of Vestil will contact you to discuss your claim.

### What is not covered by the warranty?

1. Labor;
2. Freight;
3. Occurrence of any of the following, which automatically voids the warranty:
  - Product misuse;
  - Negligent operation or repair;
  - Corrosion or use in corrosive conditions;
  - Inadequate or improper maintenance;
  - Damage sustained during shipping;
  - Accidents involving the product;
  - Unauthorized modifications: DO NOT modify the product IN ANY WAY without first receiving written authorization from Vestil. Modification(s) might make the product unsafe to use or might cause excessive and/or abnormal wear.

### Do any other warranties apply to the product?

Vestil Manufacturing Corp. makes no other express warranties. All implied warranties are disclaimed to the extent allowed by law. Any implied warranty not disclaimed is limited in scope to the terms of this Limited Warranty.

