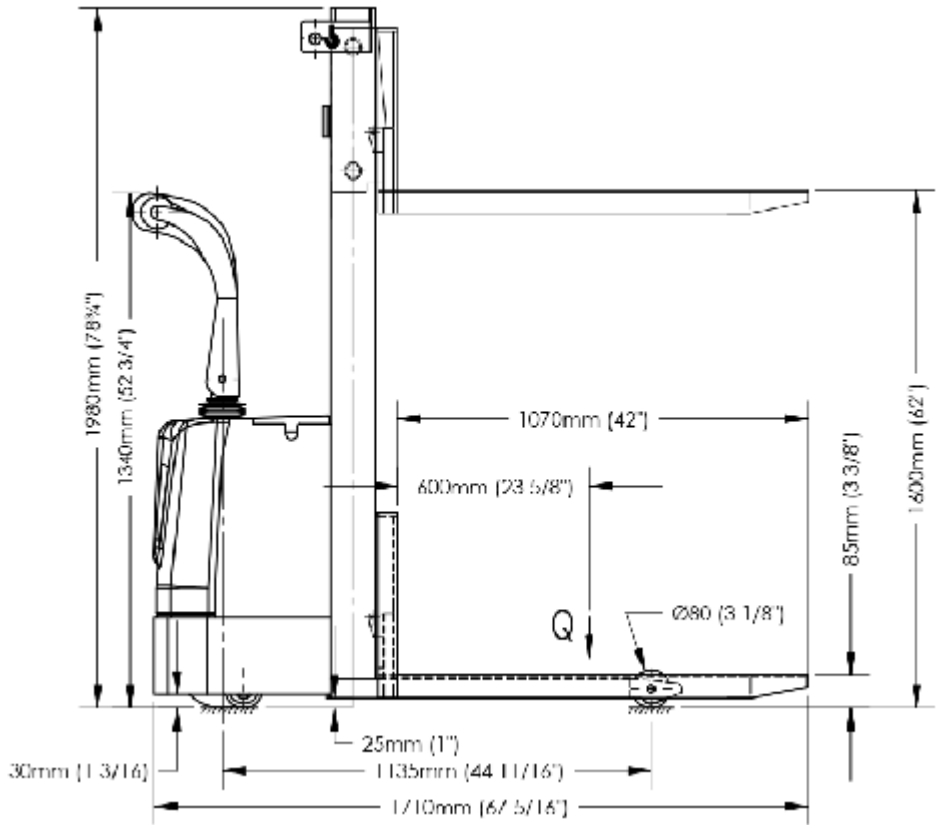


# S-62-FF (FULLY POWERED STACKER-FIXED FORKS OVER SUPPORT LEGS)

\*\*\* ANY ADDITIONS, DELETIONS, OR OMISSIONS MUST BE CORRECTED ON THIS DRAWING AS THIS DRAWING WILL BE CONSIDERED ALL INCLUSIVE \*\*\*  
 ALL GRAPHICS PROVIDED ARE FOR REFERENCE ONLY. IF CERTAIN DIMENSIONS ARE CRITICAL PLEASE VERIFY THOSE DIMENSIONS WITH YOUR SALESPERSON

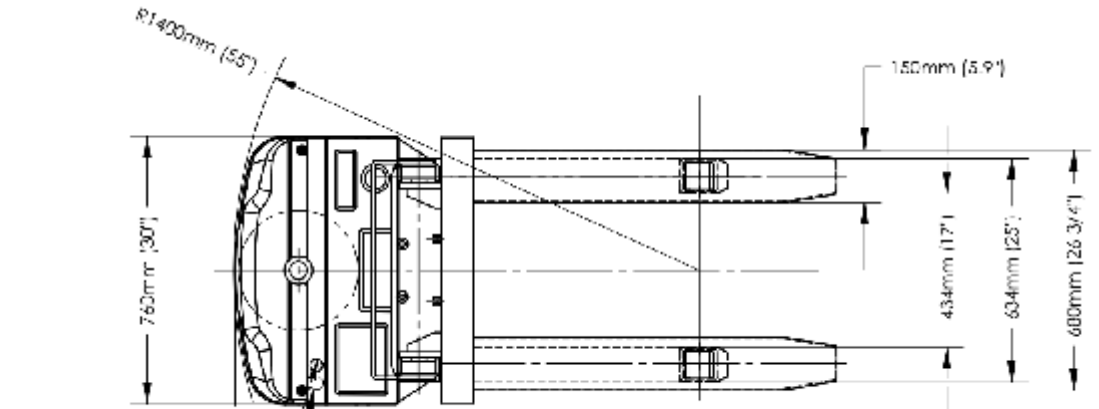


### STANDARD FEATURES

- MODEL NUMBER: S-62-FF
- CAPACITY: 2,000 LBS
- LIFT HEIGHT: 62"
- LOWERED HEIGHT: 3 3/8"
- FIXED FORKS OVER SUPPORT LEGS
- MAST: SINGLE
- SAFETY SHIELD: YES
- OVERALL MAST HEIGHT: 81 7/8"
- DRIVE WHEEL: Ø10 X 3 1/8"
- FRONT WHEEL: Ø3 1/8 X 3 3/8"
- STABILIZER WHEEL: Ø4 X 2 1/4"
- TOUGH BAKED IN POWDER COATED BLACK & YELLOW FINISH

### SPECIAL FEATURES

NONE



DIMENSION TOLERANCE ± 1/2"

**I, THE UNDERSIGNED, AGREE THAT THE PRODUCT AS REPRESENTED SATISFIES DESIGN AND DIMENSION REQUIREMENTS. I ALSO ACKNOWLEDGE MY DUTY TO CONFIRM PRODUCT AND INSTALLATION COMPLIANCE WITH ALL APPLICABLE FEDERAL, STATE AND LOCAL REGULATIONS AND STANDARDS.**

**UNITS REQUIRING APPROVAL DRAWINGS OR MODIFIED ARE NON-RETURNABLE**

[ ] As drawn      [ ] As marked

Signed: \_\_\_\_\_ Date: \_\_\_\_\_

Printed Name: \_\_\_\_\_

*LEAD TIME WILL START UPON RECEIPT OF SIGNED APPROVAL DRAWING*

**APPROVAL**

FOR INTERNAL USE ONLY PROJECT SIGN OFF	
SALES	
ENG.	
FAB.	
POWER	

DISTRIBUTOR'S NAME:		P.O.#
VESTIL MANUFACTURING		X
DRAWN BY: TM	DATE: 07/01/08	W.O.#
REFERENCE: X	SCALE: 1:1	X
QUOTED LEAD TIME: X	QUOTE #	FILE NAME:
	X	S-62-FF