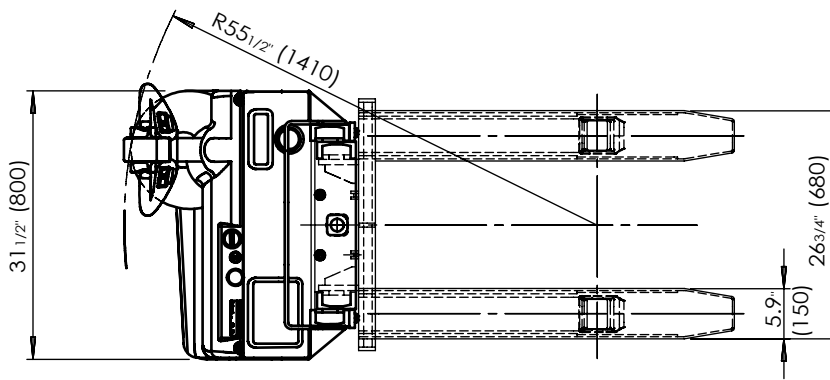
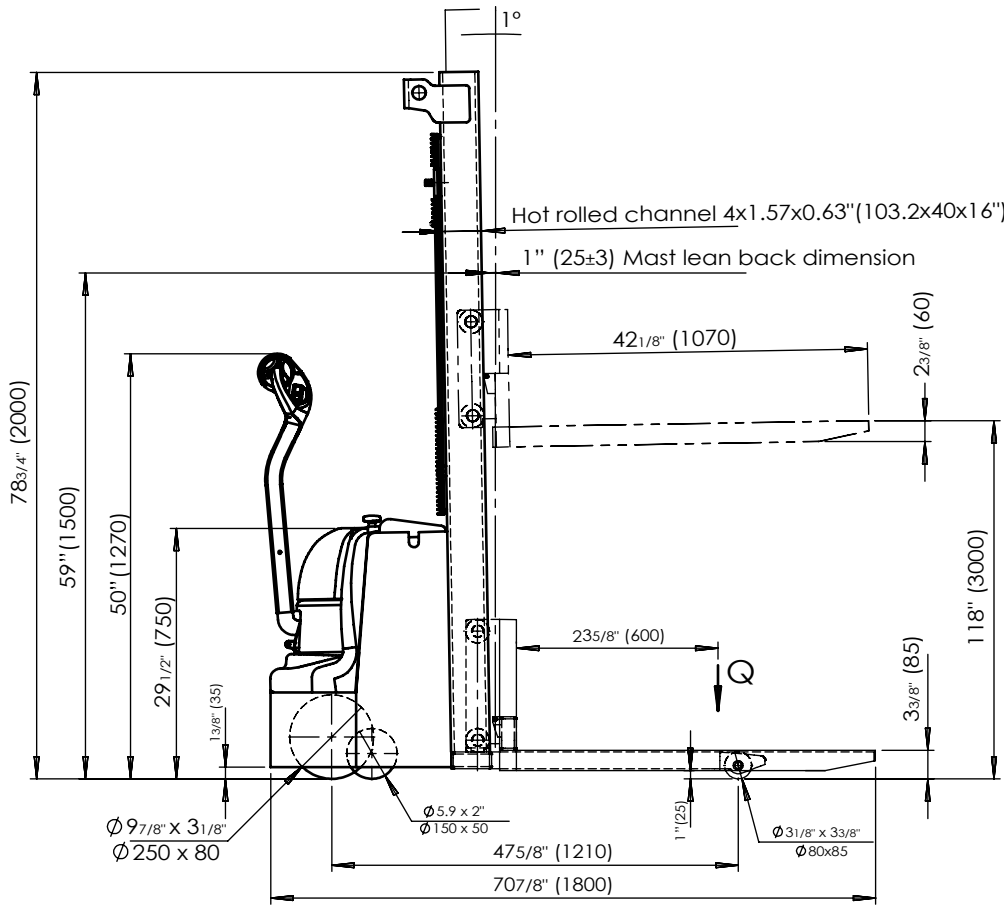


# FULLY POWERED STACKER W/ FIXED FORKS OVER LEGS - S-118-FF-DM

\*\*\*ANY ADDITIONS, DELETIONS, OR OMISSIONS MUST BE CORRECTED ON THIS DRAWING AS THIS DRAWING WILL BE CONSIDERED ALL INCLUSIVE\*\*\*

APPROX WEIGHT: 1330 lbs.  
DOES NOT INCLUDE WEIGHT OF POWER OR PACKAGING!!!



ALL GRAPHICS PROVIDED ARE FOR REFERENCE ONLY. IF CERTAIN DIMENSIONS ARE CRITICAL PLEASE VERIFY THOSE DIMENSIONS WITH YOUR SALESPERSON

DIMENSION TOLERANCE ± 1/2"

## STANDARD FEATURES

- MODEL NUMBER IS S-118-FF-DM
- UNIFORM CAPACITY IS 2,200 lbs 0" - 62"
- UNIFORM CAPACITY IS 1,500 lbs 62" - 118"
- LIFT HEIGHT IS 118"
- OVERALL HEIGHT MAST DOWN IS 78 3/4"
- OVERALL HEIGHT MAST UP IS 141 3/8"
- LOWERED HEIGHT IS 3 3/8"
- OVERALL WIDTH IS 31 1/2"
- USABLE WIDTH IS 26 3/4"
- OVERALL LENGTH IS 70 7/8"
- LIFT MOTOR IS 24V / 0.7 KW
- DRIVE WHEEL IS Ø9 7/8" X 3 1/8"
- FRONT WHEEL IS Ø4" X 2.9"
- STABILIZER WHEEL IS Ø5.9" X 2.0"
- TOUGH BAKED IN POWDER COATED BLACK AND YELLOW FINISH

## SPECIAL FEATURES

NONE

APPROVAL

I, THE UNDERSIGNED, AGREE THAT THE PRODUCT AS REPRESENTED SATISFIES DESIGN AND DIMENSION REQUIREMENTS. I ALSO ACKNOWLEDGE MY DUTY TO CONFIRM PRODUCT AND INSTALLATION COMPLIANCE WITH ALL APPLICABLE FEDERAL, STATE AND LOCAL REGULATIONS AND STANDARDS.  
**UNITS REQUIRING APPROVAL DRAWINGS OR MODIFIED ARE NON-RETURNABLE**

[ ] As drawn [ ] As marked

Signed: \_\_\_\_\_ Date: \_\_\_\_\_

Printed Name: \_\_\_\_\_

LEAD TIME WILL START UPON RECEIPT OF SIGNED APPROVAL DRAWING

DISTRIBUTOR'S NAME:		P.O.#
VESTIL MANUFACTURING		X
DRAWN BY: TM		W.O.#
DATE: 05/06/2021		X
REFERENCE: X	SCALE: NTS	SALES: X
QUOTED LEAD TIME: X	QUOTE #	FILE NAME:
	X	S-118-FF-DM