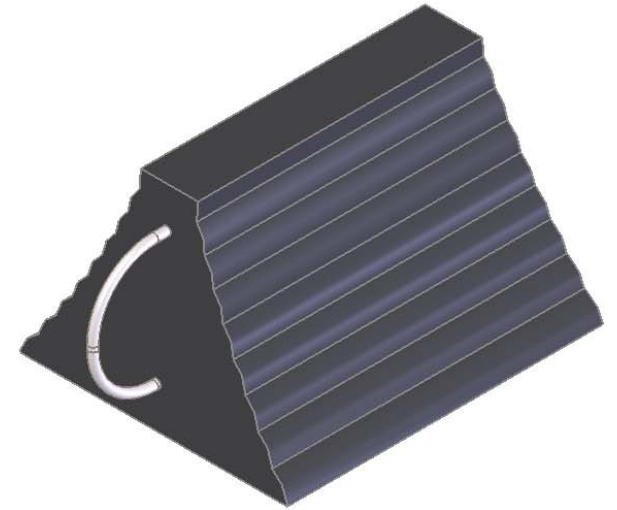
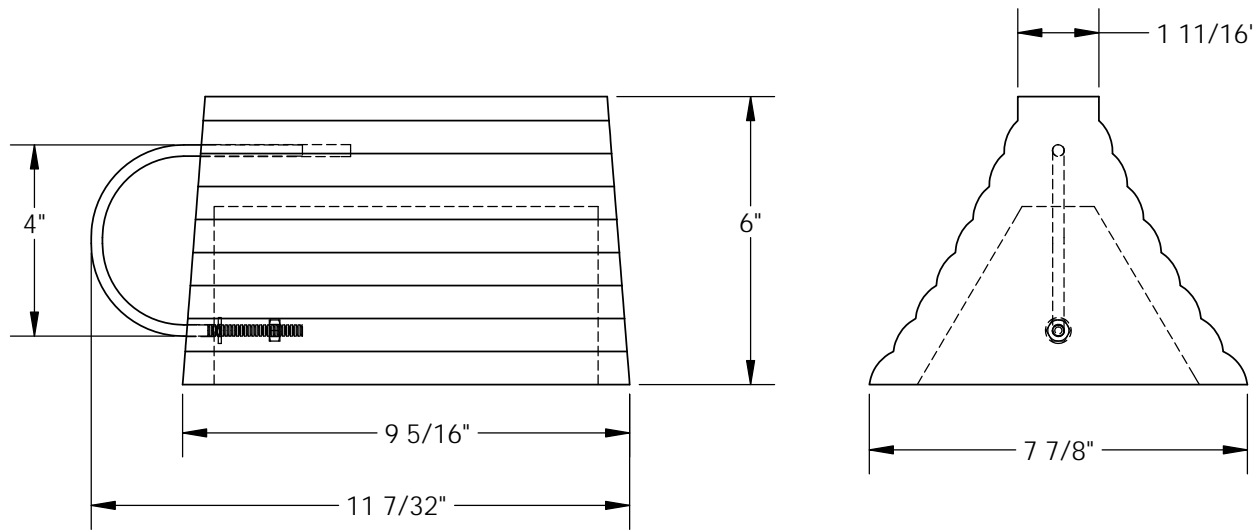


# RUBBER WHEEL CHOCKS W/ U-HANDLE - RWC-9-U

APPROX WEIGHT: 4.64 lbs.  
 DOES NOT INCLUDE WEIGHT OF POWER OR PACKAGING!!!

\*\*\* ANY ADDITIONS, DELETIONS, OR OMISSIONS MUST BE CORRECTED ON THIS DRAWING AS THIS DRAWING WILL BE CONSIDERED ALL INCLUSIVE \*\*\*

ALL GRAPHICS PROVIDED ARE FOR REFERENCE ONLY. IF CERTAIN DIMENSIONS ARE CRITICAL PLEASE VERIFY THOSE DIMENSIONS WITH YOUR SALESPERSON



## STANDARD FEATURES

- MODEL NUMBER IS RWC-9-U
- OVERALL WIDTH IS 7 7/8"
- OVERALL LENGTH IS 11 7/32"
- USABLE LENGTH IS 9 5/16"
- OVERALL HEIGHT IS 6"
- DURABLE IN ALL WEATHER CONDITIONS

## SPECIAL FEATURES

NONE

DIMENSION TOLERANCE ± 1/4"

|   |  |             |
|---|--|-------------|
| <b>A<br/>P<br/>P<br/>R<br/>O<br/>V<br/>A<br/>L</b>                  | I, THE UNDERSIGNED, AGREE THAT THE PRODUCT AS REPRESENTED SATISFIES DESIGN AND DIMENSION REQUIREMENTS. I ALSO ACKNOWLEDGE MY DUTY TO CONFIRM PRODUCT AND INSTALLATION COMPLIANCE WITH ALL APPLICABLE FEDERAL, STATE AND LOCAL REGULATIONS AND STANDARDS. |             |
|   | <b>ALL SPECIAL UNITS ARE NON-RETURNABLE</b>  |             |
|   | [ ] As drawn [ ] As marked   |             |
| Signed: _____   |  | Date: _____ |
| <b>LEAD TIME WILL START UPON RECEIPT OF SIGNED APPROVAL DRAWING</b> |  |             |

|   |  |
|---|--|
| FOR INTERNAL USE ONLY<br>PROJECT SIGN OFF |  |
| SALES                                     |  |
| ENG.                                      |  |
| FAB.                                      |  |
| POWER                                     |  |

|                      |            |            |
|----------------------|------------|------------|
| DISTRIBUTOR'S NAME:  |            | P.O.#      |
| VESTIL MANUFACTURING |            | X          |
| DRAWN BY:            | DATE:      | W.O.#      |
| B.NOTHNAGEL          | 01/28/2015 | X          |
| REFERENCE:           | SCALE:     | SALES:     |
| X                    | 1:4        | X          |
| QUOTED LEAD TIME:    | QUOTE #    | FILE NAME: |
| X                    | X          | 23-007-203 |