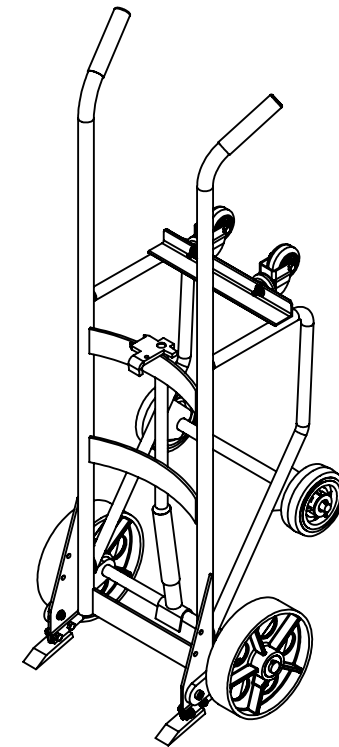
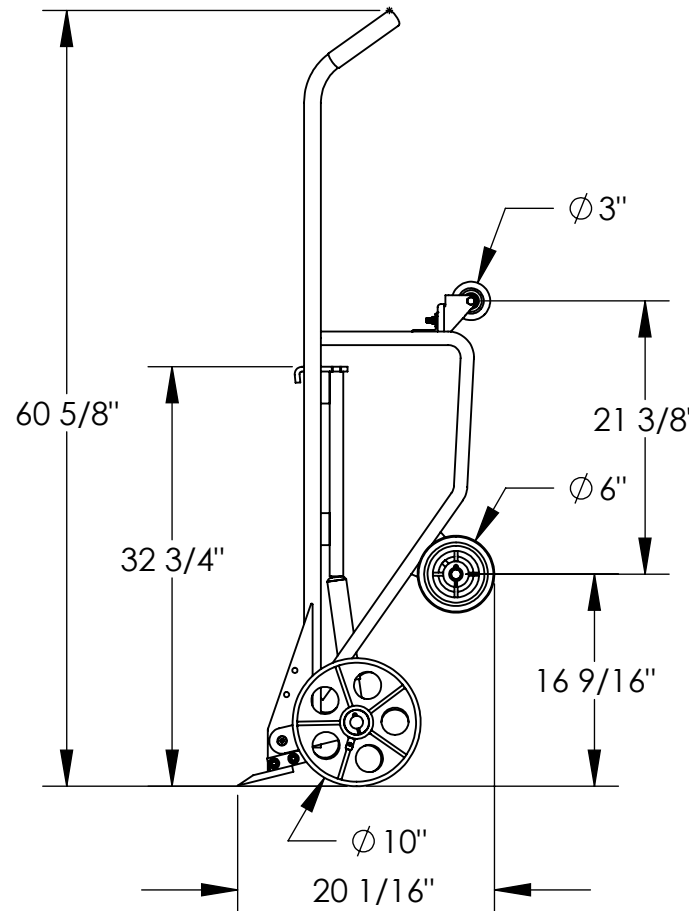
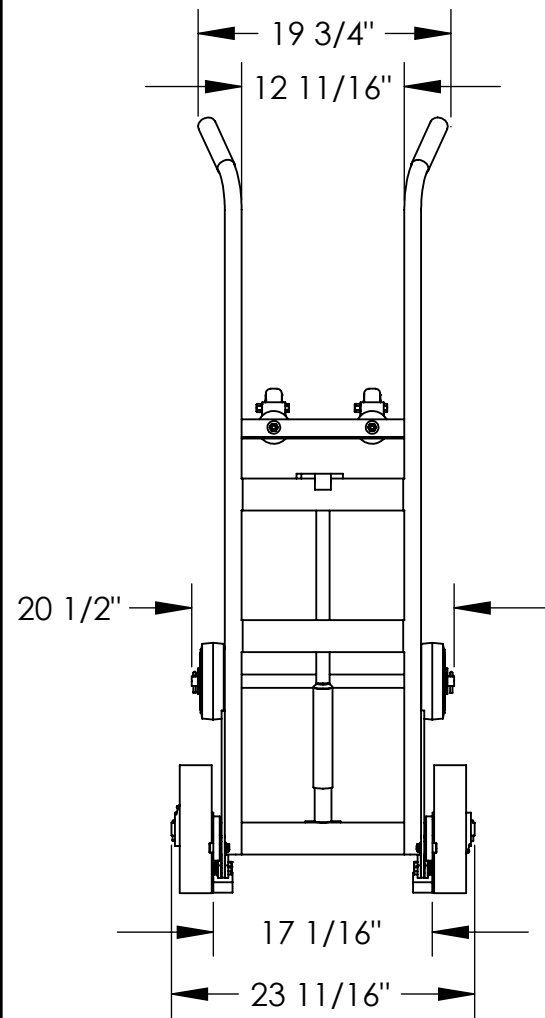


MULTI-PURPOSE DRUM TRUCK/CRADLE - RDBT-SS

APPROX WEIGHT: 127.85 lbs.
DOES NOT INCLUDE WEIGHT OF POWER OR PACKAGING!!!

*** ANY ADDITIONS, DELETIONS, OR OMISSIONS MUST BE CORRECTED ON THIS DRAWING AS THIS DRAWING WILL BE CONSIDERED ALL INCLUSIVE ***

ALL GRAPHICS PROVIDED ARE FOR REFERENCE ONLY. IF CERTAIN DIMENSIONS ARE CRITICAL PLEASE VERIFY THOSE DIMENSIONS WITH YOUR SALESPERSON



DIMENSIONAL TOL. +/- 1/4"

STANDARD FEATURES

- MODEL NUMBER IS RDBT-SS
- CAPACITY IS 1,000 LBS.
- OVERALL WIDTH IS 23 11/16"
- USABLE WIDTH IS 17 1/16"
- OVERALL LENGTH IS 20 1/16"
- OVERALL HEIGHT IS 60 5/8"
- DRAIN HEIGHT IS APPROX. 12 13/16" (NOT SHOWN)
- (2) Ø3" X 1 1/4" POLY SWIVEL
- (2) Ø10" X 2 1/2" SEMI-STEEL,
- (2) Ø6" X 2" POLY ON POLY
- USED WITH 55 GALLON DRUMS
- TOUGH BAKED IN POWDER COATED YELLOW FINISH

SPECIAL FEATURES

NONE

APPROVAL

I, THE UNDERSIGNED, AGREE THAT THE PRODUCT AS REPRESENTED SATISFIES DESIGN AND DIMENSION REQUIREMENTS. I ALSO ACKNOWLEDGE MY DUTY TO CONFIRM PRODUCT AND INSTALLATION COMPLIANCE WITH ALL APPLICABLE FEDERAL, STATE AND LOCAL REGULATIONS AND STANDARDS.

ANY MODIFIED UNITS ARE NON-RETURNABLE

[] As drawn [] As marked

Signed: _____ Date: _____

Printed Name: _____

LEAD TIME WILL START UPON RECEIPT OF SIGNED APPROVAL DRAWING

FOR INTERNAL USE ONLY PROJECT SIGN OFF	
SALES	
ENG.	
FAB.	
POWER	

DISTRIBUTOR'S NAME:		P.O.#
VESTIL MANUFACTURING		X
DRAWN BY: B. HORN		DATE: 08/09/2016
REFERENCE: X		SCALE: 1:15
QUOTED LEAD TIME: X		QUOTE #
		X
		FILE NAME:
		09-007-210